

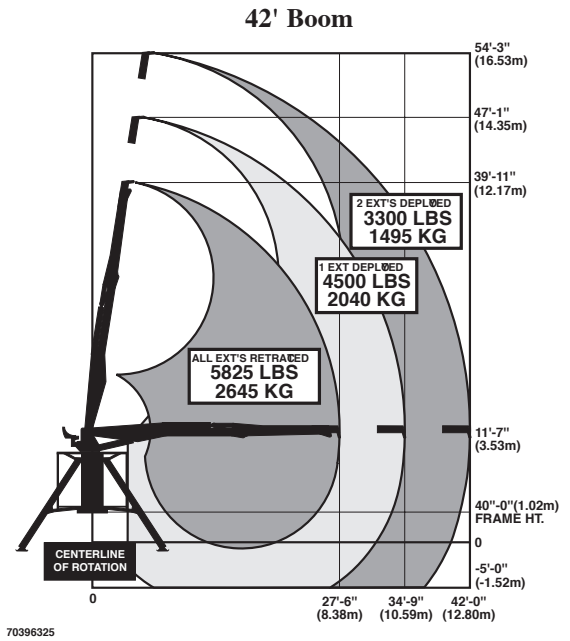


Specifications	42' Boom (2H)
Crane Rating	160,000 ft-lb (22.1 tm)
Horizontal Reach from centerline of rotation	42'0" (12.8 m)
Hydraulic Extension	(double) 87" + 87" (221.0 cm + 221.0 cm)
Lifting Height from base of crane*	54'3" (16.5 m)
Crane Weight base unit with platform and chair	10,500 lb (4762 kg)
Outrigger Span at ground level	17'6" (5.3 m)
Crane Storage Height*	13'2" (4.0 m)
Mounting Space Required crane base	36" (91 cm)
Optimum Pump Capacity tandem pump (each section)	16 + 16 U.S. gpm (60.5L/min + 60.5L/min)
Oil Reservoir Capacity	40 gallon (151 L)
Center of Gravity horizontal from centerline of rotation**	95" (241.3 cm)
vertical from bottom of crane base**	62" (157.5 cm)

* Based on 40" (102 cm) truck frame height.

** Based on crane with chair and platform in stored position and extension boom retracted with fork and rotator installed – fork, rotator and link weigh approximately 600 lb (272 kg).

Capacity Chart



- Capacities through geometric range are limited to those shown in horizontal position.
- Loads shown are based on crane structural to hydraulic capability. Before lift is made, stability must be checked per SAE J765A.
- Working loads will be limited to those shown. Deduct the weight of load handling devices.

Outrigger Dimensions

