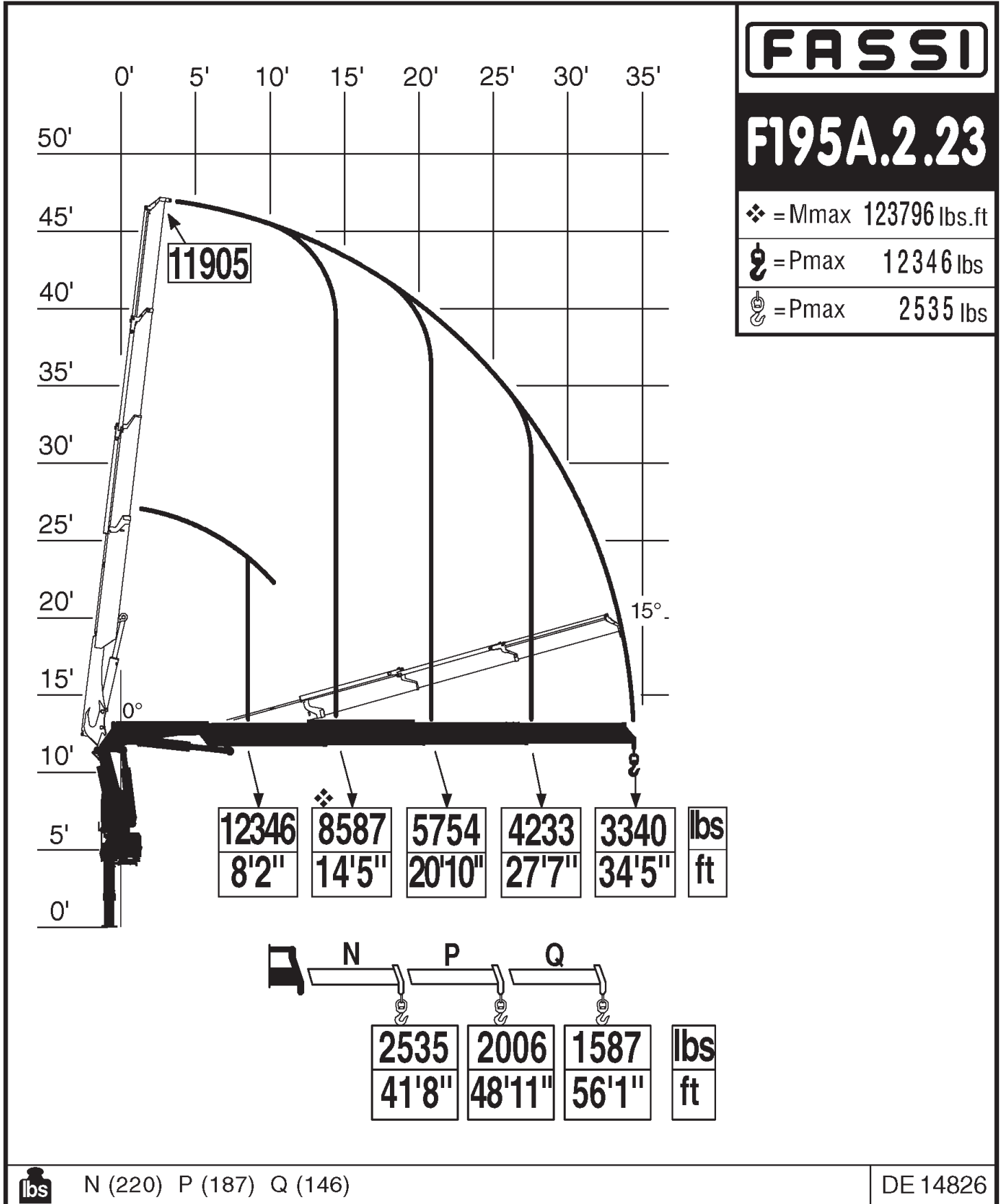


Via Roma, 110  
 14021 Albino (BG)  
 Tel.: +39 035 776400  
 Fax: +39 035 755020  
 www.fassi.com  
 fassi@fassi.com

LOAD DIAGRAM WITH LIFTING MOMENT LIMITING DEVICE



lbs N (220) P (187) Q (146)

DE 14826