



FOR NEW EQUIPMENT SALES, CALL
800.958.2555
TO SPEAK WITH AN ALTEC REPRESENTATIVE
or visit us online at altec.com

 **Altec**
TELESCOPIC ARTICULATING
AERIAL DEVICE

FEATURES

- Altec ISO-Grip® Control System
- 4-Function, Single Handle Upper Control
- Insulating, ANSI Category C
- Compensated Articulating Arm
- Fiberglass Upper Boom and Lower Boom Insulator
- Hydraulic Boom Extension
- Platform Access from Ground
- Hydraulic 180° Platform Rotation with Platform Tilt
- Full-Pressure, Open-Center Hydraulic System
- Outrigger Motion Alarm and Outrigger Interlocks
- Emergency Stop Valves at all Upper and Lower Control Stations
- Easily Mounted on 19,500 lb (8,845 kg) GVWR Chassis
- Tool Circuit at Platform

Recommended safety equipment, available through Altec Supply, include a platform liner, fall protection system, wheel chocks and outrigger pads.

OPTIONS

- ISO-Boom Offering ANSI Category C Isolation with Boom Retracted
- Altec ARM Jib Offering Jib Capacities up to 800 lb (362.9 kg)
- Side Mount Jib
- 2-Man Platform with 180° Platform Rotation and 600 lb (272.2 kg) Platform Capacity (AT40P Only)
- Secondary Stowage System
- Engine Start/Stop
- Second Tool Circuit at Platform
- Tool Circuit Below Rotation
- Manual Throttle
- Jib Adapter
- Phase Lifting Jib Attachment
- Platform Cover

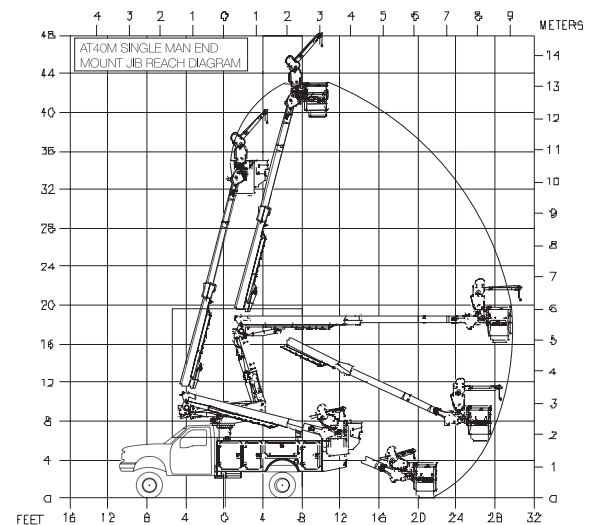
CONFIGURATIONS

	AT40M	AT40P
Ground to Bottom of Platform*	39.4 ft (12.0 m)	39.4 ft (12.0 m)
Working Height*	44.4 ft (13.5 m)	44.4 ft (13.5 m)
Maximum Side Reach (at Platform Height)	29.6 ft (9.0 m) 16.5 ft (5.0 m)	29.6 ft (9.0 m) 16.5 ft (5.0 m)
Stowed Travel Height*	11.1 ft (3.4 m)	11.1 ft (3.4 m)
Upper Boom Isolation Gap	40 in (1,016 mm)	40 in (1,016 mm)
Articulating Arm Isolation Gap	9.5 in (241 mm)	9.5 in (241 mm)
Platform Capacity	400 lb (181.4 kg)	400 lb (181.4 kg)
Platform Dimensions	24 x 30 x 42 in (610 x 762 x 1,066.8 mm)	24 x 30 x 42 in (610 x 762 x 1,066.8 mm)
Lower Boom Articulation	-25 to 75°	-25 to 75°
Articulating Arm Articulation	-3 to 74°	-3 to 74°
Rotation	Continuous	Continuous

*Based on a 40 in (1016 mm) chassis frame height.

SPECIFICATIONS

REACH DIAGRAM



General Specifications Key:

The Letter 'M' in the Model Name Indicates the Material Handling Configuration.
The Letter 'P' in the Model Name Indicates the Personnel Configuration.

ISO-BOOM

Offers category C isolation with fiberglass upper boom retracted.



ALLOWS EASY ACCESS TO PLATFORM FROM GROUND

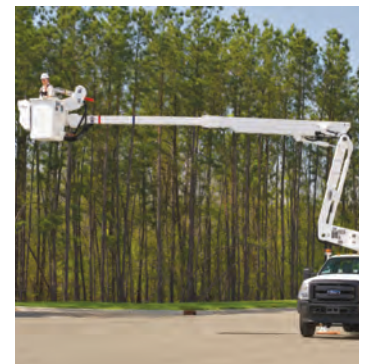


BODY COMPARTMENT ACCESS FROM PLATFORM



LOWER ARM

To rise above and telescope over obstacles.



For more complete information on Altec products and services, visit us on the web at www.altec.com. Material and specifications are subject to change without notice. Featured units in photos may include optional features. Please contact an Altec representative for all available options. Altec® and the Altec logo are registered trademarks of Altec Inc. in the United States and various other countries and may not be used without permission.
© 2015 Altec Inc. All Rights Reserved. AIOSAT40MP-0315-v1-r1

