


** Capacity class

330,700 lb		18.4 ft (STD)					27.0 ft x 27.7 ft					360°					ASME B30.5		
0°		(ft)																	
48.6*		48.6	65.0	81.4	97.8	114.2	130.6	147.0	163.4	179.8	196.2	212.6	229.0	245.4	254.9	262.5			
ft	1,000 lb																ft		
8	1000.0**	-	-	-	-	-	-	-	-	-	-	-	-	-	-	-	-	8	
10	425.5 ²⁾	425.5 ²⁾	425.5 ²⁾	425.5 ²⁾	-	-	-	-	-	-	-	-	-	-	-	-	-	10	
12	425.5 ²⁾	425.5 ²⁾	425.5 ²⁾	425.5 ²⁾	-	-	-	-	-	-	-	-	-	-	-	-	-	12	
14	425.5 ²⁾	416.1 ²⁾	419.0 ²⁾	415.5 ²⁾	405.1 ²⁾	-	-	-	-	-	-	-	-	-	-	-	-	14	
16	422.2	390.4	391.8	389.3	385.4	-	-	-	-	-	-	-	-	-	-	-	-	16	
18	400.2	360.6	362.7	361.1	358.8	328.0	-	-	-	-	-	-	-	-	-	-	-	18	
20	374.7	332.7	334.9	334.9	333.8	322.1	273.7	-	-	-	-	-	-	-	-	-	-	20	
24	332.4	290.1	292.3	292.3	291.2	285.2	263.6	-	-	-	-	-	-	-	-	-	-	24	
28	293.3	255.4	258.2	257.6	256.5	254.3	248.6	206.2	-	-	-	-	-	-	-	-	-	28	
32	257.3	227.8	230.3	230.0	228.9	228.9	228.1	192.8	166.8	-	-	-	-	-	-	-	-	32	
36	221.1	205.9	208.8	208.8	207.5	209.6	207.7	180.2	155.5	135.5	-	-	-	-	-	-	-	36	
40	-	-	188.6	188.6	187.3	189.5	187.5	169.2	144.3	128.0	109.7	-	-	-	-	-	-	40	
48	-	-	158.6	158.6	157.2	159.4	157.3	150.8	124.3	113.5	99.3	87.0	-	-	-	-	-	48	
56	-	-	115.3	135.7	134.2	136.5	134.3	136.4	108.0	100.4	89.0	79.8	69.5	61.6	57.7	-	-	56	
64	-	-	71.2	117.6	119.7	118.3	116.1	118.8	94.8	88.8	79.8	72.1	64.1	57.9	54.9	51.4	-	64	
72	-	-	-	91.7	105.5	103.7	105.4	104.1	83.4	78.9	71.8	65.2	59.0	53.7	51.4	48.1	-	72	
80	-	-	-	-	92.2	92.1	94.7	92.3	73.4	70.6	65.2	59.1	54.2	49.7	47.2	44.7	-	80	
88	-	-	-	-	64.5	82.0	84.7	82.2	65.5	62.9	59.3	54.0	49.9	46.0	43.4	41.6	-	88	
96	-	-	-	-	-	72.1	75.6	72.9	58.9	56.3	53.7	49.7	45.8	42.6	40.2	38.6	-	96	
104	-	-	-	-	-	56.5	67.7	64.9	53.3	50.7	49.0	45.7	42.3	39.8	37.2	35.6	-	104	
112	-	-	-	-	-	-	59.2	58.1	50.6	45.8	45.2	41.9	39.1	37.1	34.7	33.2	-	112	
120	-	-	-	-	-	-	36.7	52.5	48.1	41.4	42.1	38.3	36.0	34.5	32.3	30.9	-	120	
128	-	-	-	-	-	-	-	45.4	45.4	37.9	39.1	35.1	33.3	32.2	30.0	29.0	-	128	
136	-	-	-	-	-	-	-	36.1	42.2	34.5	36.3	32.3	30.7	29.9	27.8	27.1	-	136	
144	-	-	-	-	-	-	-	17.5	38.1	31.9	33.4	29.5	28.5	27.9	25.9	25.2	-	144	
152	-	-	-	-	-	-	-	-	28.0	29.5	30.9	27.0	26.4	25.8	24.0	23.4	-	152	
160	-	-	-	-	-	-	-	-	24.2	27.6	28.3	24.7	24.5	24.2	22.4	21.8	-	160	
168	-	-	-	-	-	-	-	-	-	14.7	26.1	22.6	22.7	22.6	20.9	20.4	-	168	
176	-	-	-	-	-	-	-	-	-	13.8	24.1	20.6	20.8	21.2	19.4	19.0	-	176	
184	-	-	-	-	-	-	-	-	-	-	-	19.1	19.0	19.6	18.0	17.7	-	184	
192	-	-	-	-	-	-	-	-	-	-	-	17.3	17.3	18.0	16.7	16.5	-	192	
200	-	-	-	-	-	-	-	-	-	-	-	14.2	16.3	16.5	15.5	15.3	-	200	
208	-	-	-	-	-	-	-	-	-	-	-	11.2	14.7	15.1	14.2	14.2	-	208	
216	-	-	-	-	-	-	-	-	-	-	-	10.4	12.7	13.8	12.9	13.1	-	216	
224	-	-	-	-	-	-	-	-	-	-	-	-	-	12.1	11.8	11.9	-	224	
232	-	-	-	-	-	-	-	-	-	-	-	-	-	-	10.6	10.7	-	232	
240	-	-	-	-	-	-	-	-	-	-	-	-	-	-	-	9.3	9.6	-	240
1)	73.6	73.6	53.4	41.0	32.0	25.6	19.8	15.7	11.2	7.7	4.0	-	-	-	-	-	-	1)	

1) Capacities with horizontal boom


2)  308,600 lb

* over rear


** Capacity class

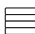
330,700 lb		19.7 ft (XL)				27.0 ft x 27.7 ft				360°				ASME B30.5					
0°		(ft)																	
48.6 *		48.6	65.0	81.4	97.8	114.2	130.6	147.0	163.4	179.8	196.2	212.6	229.0	245.4	254.9	262.5			
ft		1,000 lb																ft	
10	425.5	425.5 ²⁾	425.5 ²⁾	425.5 ²⁾	-	-	-	-	-	-	-	-	-	-	-	-	-	10	
12	425.5	425.5 ²⁾	425.5 ²⁾	425.5 ²⁾	-	-	-	-	-	-	-	-	-	-	-	-	-	12	
14	425.5	417.8 ³⁾	419.0 ³⁾	417.3 ³⁾	405.1 ³⁾	-	-	-	-	-	-	-	-	-	-	-	-	14	
16	425.5	390.4 ³⁾	391.8 ³⁾	389.3 ³⁾	385.4 ³⁾	-	-	-	-	-	-	-	-	-	-	-	-	16	
18	406.7	361.1 ³⁾	362.7 ³⁾	361.1 ³⁾	358.8 ³⁾	328.0 ³⁾	-	-	-	-	-	-	-	-	-	-	-	18	
20	382.9	337.0 ⁴⁾	339.2 ⁴⁾	338.2 ⁴⁾	336.1 ⁴⁾	322.1 ⁴⁾	273.7 ⁴⁾	-	-	-	-	-	-	-	-	-	-	20	
24	333.9	296.7 ⁵⁾	298.9 ⁵⁾	298.9 ⁵⁾	297.8 ⁵⁾	285.6 ⁵⁾	263.6 ⁵⁾	-	-	-	-	-	-	-	-	-	-	24	
28	293.3	261.5 ⁵⁾	264.2 ⁵⁾	264.2 ⁵⁾	262.6 ⁵⁾	258.4 ⁵⁾	248.6 ⁵⁾	206.2 ⁵⁾	-	-	-	-	-	-	-	-	-	28	
32	257.3	235.8 ⁶⁾	238.0 ⁶⁾	238.0 ⁶⁾	236.9 ⁶⁾	234.2 ⁶⁾	228.9 ⁶⁾	192.8 ⁶⁾	166.8 ⁶⁾	-	-	-	-	-	-	-	-	32	
36	221.1	213.7 ⁶⁾	216.3 ⁶⁾	216.3 ⁶⁾	215.0 ⁶⁾	212.8 ⁶⁾	211.4 ⁶⁾	180.2 ⁶⁾	155.5 ⁶⁾	135.5 ⁶⁾	-	-	-	-	-	-	-	36	
40	-	-	197.8	197.8	196.5	196.1	193.7	169.2	144.3	128.0	109.7	-	-	-	-	-	-	40	
48	-	-	166.5	166.5	164.9	167.5	164.0	150.8	124.3	113.5	99.3	87.0	-	-	-	-	-	48	
56	-	-	115.3	142.5	140.9	143.4	141.1	136.6	108.0	100.4	89.0	79.8	69.5	61.6	57.7	-	-	56	
64	-	-	71.2	121.2	122.2	124.4	122.2	124.0	94.8	88.8	79.8	72.1	64.1	57.9	54.9	51.4	-	64	
72	-	-	-	91.7	108.3	109.2	106.8	109.7	83.4	78.9	71.8	65.2	59.0	53.7	51.4	48.1	-	72	
80	-	-	-	-	93.3	97.0	96.7	97.3	73.4	70.6	65.2	59.1	54.2	49.7	47.2	44.7	-	80	
88	-	-	-	-	64.5	85.1	88.8	87.0	65.5	62.9	59.3	54.0	49.9	46.0	43.4	41.6	-	88	
96	-	-	-	-	-	72.1	80.2	77.7	58.9	56.3	53.7	49.7	45.8	42.6	40.2	38.6	-	96	
104	-	-	-	-	-	56.5	70.3	69.5	53.3	50.7	49.0	45.7	42.3	39.8	37.2	35.6	-	104	
112	-	-	-	-	-	-	59.2	62.4	50.6	45.8	45.2	41.9	39.1	37.1	34.7	33.2	-	112	
120	-	-	-	-	-	-	36.7	54.6	48.1	41.4	42.1	38.3	36.0	34.5	32.3	30.9	-	120	
128	-	-	-	-	-	-	-	45.5	45.4	37.9	39.1	35.1	33.3	32.2	30.0	29.0	-	128	
136	-	-	-	-	-	-	-	36.1	42.2	34.5	36.3	32.3	30.7	29.9	27.8	27.1	-	136	
144	-	-	-	-	-	-	-	17.5	38.1	31.9	33.4	29.5	28.5	27.9	25.9	25.2	-	144	
152	-	-	-	-	-	-	-	-	28.0	29.5	30.9	27.0	26.4	25.8	24.0	23.4	-	152	
160	-	-	-	-	-	-	-	-	24.2	27.6	28.3	24.7	24.5	24.2	22.4	21.8	-	160	
168	-	-	-	-	-	-	-	-	-	14.7	26.1	22.6	22.7	22.6	20.9	20.4	-	168	
176	-	-	-	-	-	-	-	-	-	13.8	24.1	20.6	20.8	21.2	19.4	19.0	-	176	
184	-	-	-	-	-	-	-	-	-	-	-	19.1	19.0	19.6	18.0	17.7	-	184	
192	-	-	-	-	-	-	-	-	-	-	-	17.3	17.3	18.0	16.7	16.5	-	192	
200	-	-	-	-	-	-	-	-	-	-	-	14.2	16.3	16.5	15.5	15.3	-	200	
208	-	-	-	-	-	-	-	-	-	-	-	11.2	14.7	15.1	14.2	14.2	-	208	
216	-	-	-	-	-	-	-	-	-	-	-	10.4	12.7	13.8	12.9	13.1	-	216	
224	-	-	-	-	-	-	-	-	-	-	-	-	-	12.1	11.8	11.9	-	224	
232	-	-	-	-	-	-	-	-	-	-	-	-	-	-	-	10.6	10.7	232	
240	-	-	-	-	-	-	-	-	-	-	-	-	-	-	-	9.3	9.6	240	
1)	73.6	73.6 ⁶⁾	53.4	41.0	32.0	25.6	19.8	15.7	11.2	7.7	4.0	-	-	-	-	-	-	1)	


1) Capacities with horizontal boom

2)  220,500 lb

3)  242,500 lb

4)  264,600 lb


5)  286,600 lb

6)  308,600 lb

* over rear

264,600 lb		19.7 ft (XL)					27.0 ft x 27.7 ft					360°					ASME B30.5	
0°		(ft)																
48.6 *		48.6	65.0	81.4	97.8	114.2	130.6	147.0	163.4	179.8	196.2	212.6	229.0	245.4	254.9	262.5		
ft	1,000 lb																ft	
10	425.5	425.5 ²⁾	425.5 ²⁾	425.5 ²⁾	-	-	-	-	-	-	-	-	-	-	-	-	10	
12	425.5	425.5 ²⁾	425.5 ²⁾	425.5 ²⁾	-	-	-	-	-	-	-	-	-	-	-	-	12	
14	425.5	417.8 ³⁾	419.0 ³⁾	417.3 ³⁾	405.1 ³⁾	-	-	-	-	-	-	-	-	-	-	-	14	
16	425.5	390.4 ³⁾	391.8 ³⁾	389.3 ³⁾	385.4 ³⁾	-	-	-	-	-	-	-	-	-	-	-	16	
18	406.7	361.1 ³⁾	362.7 ³⁾	361.1 ³⁾	358.8 ³⁾	328.0 ³⁾	-	-	-	-	-	-	-	-	-	-	18	
20	382.9	337.0	339.2	338.2	336.1	322.1	273.7	-	-	-	-	-	-	-	-	-	20	
24	333.9	293.4	295.6	295.6	294.5	285.6	263.6	-	-	-	-	-	-	-	-	-	24	
28	293.3	258.7	260.9	260.9	259.8	256.6	248.6	206.2	-	-	-	-	-	-	-	-	28	
32	257.3	230.3	233.3	233.3	231.4	230.0	228.9	192.8	166.8	-	-	-	-	-	-	-	32	
36	221.1	208.6	211.4	211.4	209.9	211.1	210.1	180.2	155.5	135.5	-	-	-	-	-	-	36	
40	-	-	191.0	191.0	189.5	191.9	189.7	169.2	144.3	128.0	109.7	-	-	-	-	-	40	
48	-	-	160.6	160.6	159.3	161.5	159.3	150.8	124.3	113.5	99.3	87.0	-	-	-	-	48	
56	-	-	115.3	136.3	134.7	137.1	134.9	136.4	108.0	100.4	89.0	79.8	69.5	61.6	57.7	-	56	
64	-	-	71.2	115.4	118.1	116.3	115.9	116.9	94.8	88.8	79.8	72.1	64.1	57.9	54.9	51.4	64	
72	-	-	-	91.7	101.3	99.6	102.6	100.0	83.4	78.9	71.8	65.2	59.0	53.7	51.4	48.1	72	
80	-	-	-	-	88.1	87.9	89.7	87.1	73.4	70.6	65.2	59.1	54.2	49.7	47.2	44.7	80	
88	-	-	-	-	64.5	80.3	79.1	76.3	65.5	62.9	59.3	54.0	49.9	46.0	43.4	41.6	88	
96	-	-	-	-	-	72.1	70.2	67.5	58.9	56.3	53.7	49.7	45.8	42.6	40.2	38.6	96	
104	-	-	-	-	-	56.5	62.6	60.0	53.3	50.7	49.0	45.7	42.3	39.8	37.2	35.6	104	
112	-	-	-	-	-	-	56.1	53.5	50.6	45.8	45.2	41.9	39.1	37.1	34.7	33.2	112	
120	-	-	-	-	-	-	36.7	48.2	48.1	41.4	42.1	38.3	36.0	34.5	32.3	30.9	120	
128	-	-	-	-	-	-	-	43.3	45.2	37.9	39.1	35.1	33.3	32.2	30.0	29.0	128	
136	-	-	-	-	-	-	-	36.1	41.5	34.5	36.3	32.3	30.7	29.9	27.8	27.1	136	
144	-	-	-	-	-	-	-	17.5	37.6	31.9	33.4	29.5	28.5	27.9	25.9	25.2	144	
152	-	-	-	-	-	-	-	-	28.0	29.5	30.9	27.0	26.4	25.8	24.0	23.4	152	
160	-	-	-	-	-	-	-	-	24.2	27.6	28.3	24.7	24.5	24.2	22.4	21.8	160	
168	-	-	-	-	-	-	-	-	-	14.7	26.0	22.6	22.7	22.6	20.9	20.4	168	
176	-	-	-	-	-	-	-	-	-	13.8	23.7	20.6	20.8	21.2	19.4	19.0	176	
184	-	-	-	-	-	-	-	-	-	-	-	19.1	19.0	19.6	18.0	17.7	184	
192	-	-	-	-	-	-	-	-	-	-	-	17.3	17.3	18.0	16.7	16.5	192	
200	-	-	-	-	-	-	-	-	-	-	-	14.2	16.3	16.5	15.5	15.3	200	
208	-	-	-	-	-	-	-	-	-	-	-	11.2	14.7	15.0	14.2	14.2	208	
216	-	-	-	-	-	-	-	-	-	-	-	10.4	12.7	13.5	12.9	13.1	216	
224	-	-	-	-	-	-	-	-	-	-	-	-	-	11.8	11.5	11.6	224	
232	-	-	-	-	-	-	-	-	-	-	-	-	-	-	-	10.2	10.2	232
240	-	-	-	-	-	-	-	-	-	-	-	-	-	-	-	8.8	8.8	240
1)	73.6	73.6	53.4	41.0	32.0	25.6	19.8	15.7	11.2	7.7	4.0	-	-	-	-	-	-	1)

1) Capacities with horizontal boom

2)  220,500 lb

3)  242,500 lb

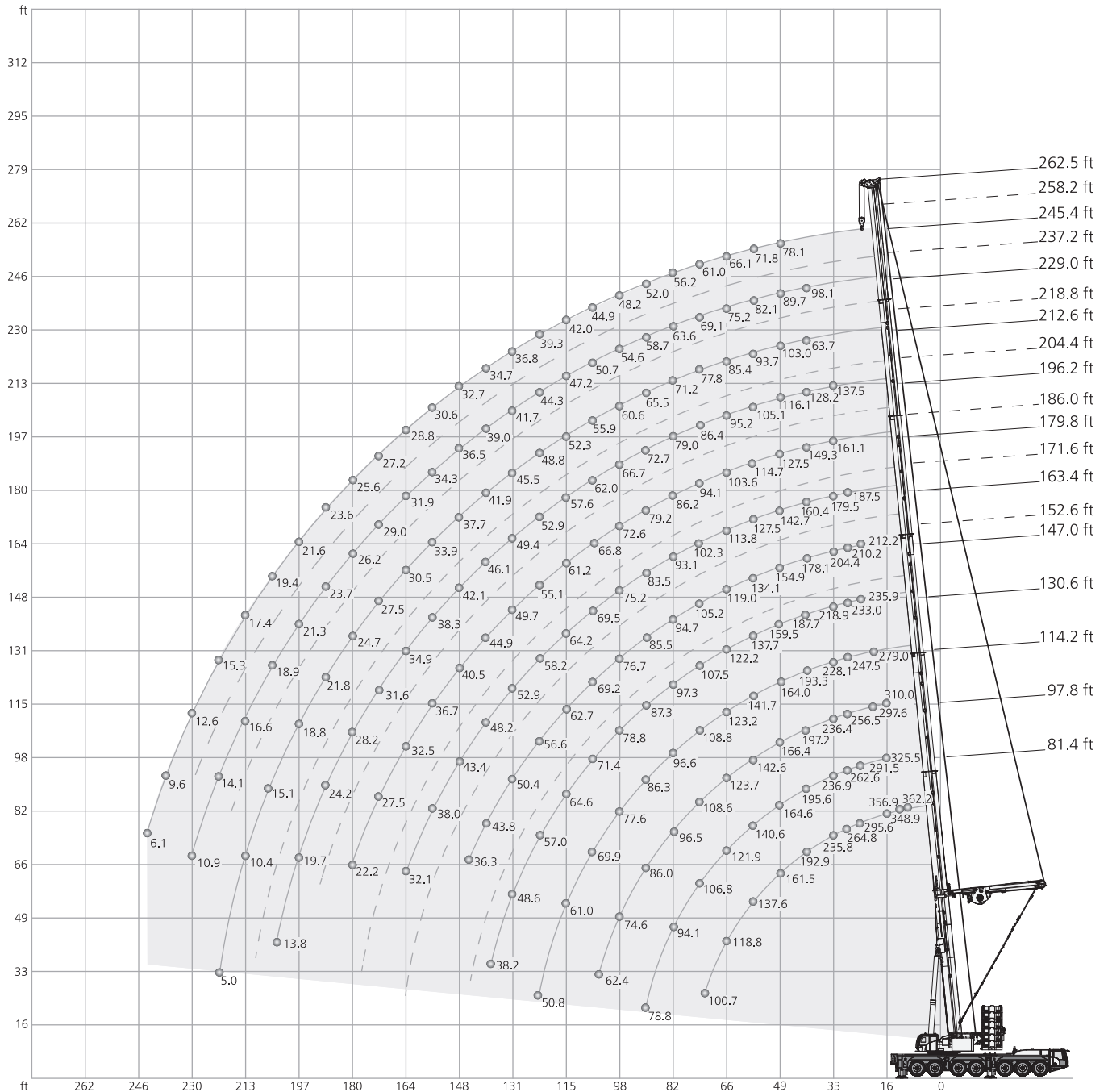
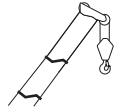
* over rear

132,300 lb		19.7 ft (XL)				27.0 ft x 27.7 ft				360°				ASME B30.5			
		(ft)															
		1,000 lb															
ft	48.6	65.0	81.4	97.8	114.2	130.6	147.0	163.4	179.8	196.2	212.6	229.0	245.4	254.9	262.5	ft	
10	425.5	425.5	425.5	-	-	-	-	-	-	-	-	-	-	-	-	10	
12	423.4	423.8	423.1	-	-	-	-	-	-	-	-	-	-	-	-	12	
14	402.4	404.1	402.5	396.8	-	-	-	-	-	-	-	-	-	-	-	14	
16	368.1	370.3	370.3	369.2	-	-	-	-	-	-	-	-	-	-	-	16	
18	340.1	342.3	342.3	341.2	323.7	-	-	-	-	-	-	-	-	-	-	18	
20	314.1	316.4	316.3	315.2	313.1	273.7	-	-	-	-	-	-	-	-	-	20	
24	272.8	276.1	275.4	273.9	274.2	262.6	-	-	-	-	-	-	-	-	-	24	
28	234.7	238.1	238.1	235.9	239.2	236.5	206.2	-	-	-	-	-	-	-	-	28	
32	199.4	203.1	203.1	205.9	204.2	201.6	192.8	166.8	-	-	-	-	-	-	-	32	
36	173.8	179.4	177.8	180.6	178.9	174.5	171.4	155.5	135.5	-	-	-	-	-	-	36	
40	-	156.8	158.3	157.9	156.1	159.0	148.0	138.6	127.8	109.7	-	-	-	-	-	40	
48	-	119.2	120.9	120.3	124.9	122.1	115.1	109.4	103.2	98.7	87.0	-	-	-	-	48	
56	-	93.1	93.3	96.8	95.7	93.0	91.5	87.4	85.5	82.8	79.1	69.5	61.6	57.7	-	56	
64	-	71.2	76.7	77.1	76.0	73.6	73.6	73.4	69.1	70.2	64.8	63.7	57.9	54.9	51.4	64	
72	-	-	62.7	63.1	62.0	61.6	62.4	61.3	58.9	57.4	57.7	53.8	53.7	51.4	48.1	72	
80	-	-	-	52.7	51.6	54.4	52.2	50.9	49.6	50.2	48.2	48.4	46.2	44.9	44.2	80	
88	-	-	-	44.9	46.6	46.1	45.3	43.0	43.2	42.4	42.9	41.6	38.9	37.5	37.5	88	
96	-	-	-	-	40.9	39.6	38.8	38.5	36.9	37.8	37.1	34.8	32.4	31.1	31.1	96	
104	-	-	-	-	35.7	34.1	33.8	33.1	33.3	32.9	31.5	29.1	27.1	26.0	26.0	104	
112	-	-	-	-	-	29.5	30.8	29.0	29.3	28.0	26.7	24.2	22.3	21.6	21.6	112	
120	-	-	-	-	-	22.4	26.7	26.4	25.9	24.0	22.8	20.3	18.4	17.8	17.9	120	
128	-	-	-	-	-	-	23.4	23.4	22.5	20.5	19.4	17.0	15.0	14.6	14.6	128	
136	-	-	-	-	-	-	21.0	20.4	19.6	17.6	16.3	13.9	11.9	11.7	11.8	136	
144	-	-	-	-	-	-	17.5	17.8	17.1	14.9	13.6	11.4	9.4	9.1	9.2	144	
152	-	-	-	-	-	-	-	10.7	14.7	12.7	11.4	9.2	7.0	6.8	7.0	152	
160	-	-	-	-	-	-	-	8.8	12.6	10.7	9.3	7.1	-	-	-	160	
168	-	-	-	-	-	-	-	-	10.9	8.9	7.6	-	-	-	-	168	
176	-	-	-	-	-	-	-	-	9.3	7.3	6.0	-	-	-	-	176	
1)	73.6	53.4	41.0	32.0	25.6	19.8	15.7	11.2	7.7	4.0	-	-	-	-	-	1)	

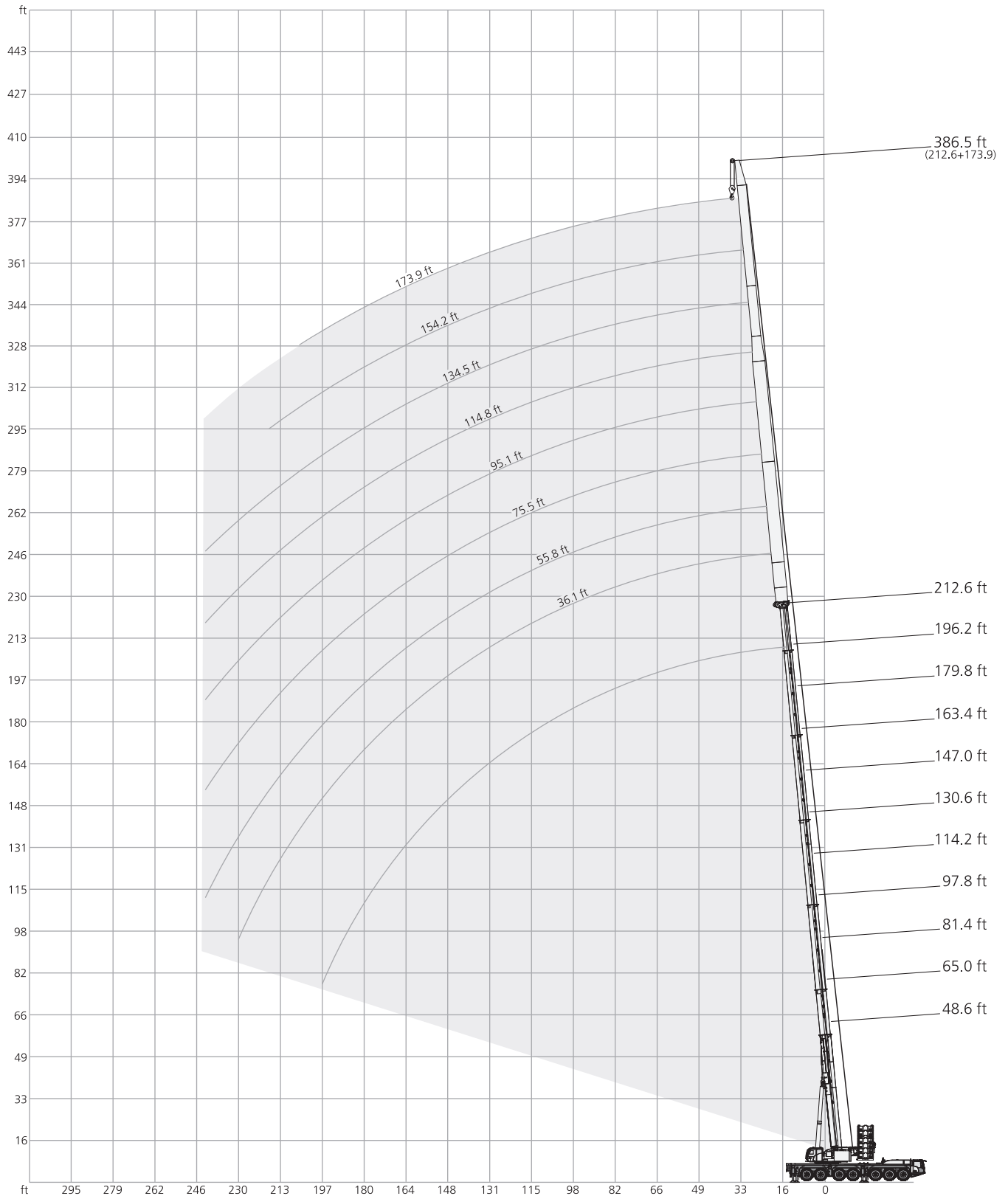
1) Capacities with horizontal boom

44,100 lb		19.7 ft (XL)				27.0 ft x 27.7 ft				360°				ASME B30.5			
		(ft)															
		1,000 lb															
ft	ft	48.6	65.0	81.4	97.8	114.2	130.6	147.0	163.4	179.8	196.2	212.6	229.0	245.4	254.9	262.5	ft
10		425.5	425.5	425.5	-	-	-	-	-	-	-	-	-	-	-	-	10
12		417.1	417.8	417.8	-	-	-	-	-	-	-	-	-	-	-	-	12
14		383.7	385.9	385.9	384.2	-	-	-	-	-	-	-	-	-	-	-	14
16		351.3	353.5	353.5	345.4	-	-	-	-	-	-	-	-	-	-	-	16
18		315.0	317.8	317.2	297.1	273.3	-	-	-	-	-	-	-	-	-	-	18
20		278.7	282.1	278.8	259.6	229.8	215.6	-	-	-	-	-	-	-	-	-	20
24		220.5	224.8	208.8	191.7	181.3	164.0	151.8	-	-	-	-	-	-	-	-	24
28		160.7	167.2	158.9	154.3	142.5	132.4	124.7	113.8	-	-	-	-	-	-	-	28
32		114.0	127.2	130.5	124.4	115.7	111.6	105.9	99.1	90.9	-	-	-	-	-	-	32
36		88.5	103.9	104.8	102.5	98.5	96.2	90.6	85.7	83.7	-	-	-	-	-	-	36
40		-	81.8	82.2	83.1	86.5	81.2	76.9	76.1	71.8	66.6	-	-	-	-	-	40
48		-	56.5	59.7	61.4	61.5	62.2	61.5	58.3	55.2	50.9	47.2	42.5	-	-	-	48
56		-	40.9	43.7	45.5	47.0	47.0	47.5	45.5	43.1	39.4	36.1	31.7	27.7	25.7	-	56
64		-	30.2	32.8	34.6	36.6	36.1	36.3	35.0	33.3	29.8	26.9	22.7	18.7	17.2	17.0	64
72		-	-	24.9	26.6	28.6	28.0	28.4	26.8	25.5	22.4	19.8	15.8	12.3	10.7	10.5	72
80		-	-	-	20.6	22.6	21.9	22.1	20.8	19.7	16.9	14.5	10.8	7.3	-	-	80
88		-	-	-	16.1	17.7	17.2	17.4	16.0	15.2	12.5	10.2	6.8	-	-	-	88
96		-	-	-	-	13.8	13.4	13.6	12.1	11.4	8.9	6.8	-	-	-	-	96
104		-	-	-	-	10.9	10.3	10.3	9.0	8.3	6.1	-	-	-	-	-	104
112		-	-	-	-	-	7.6	7.8	6.3	-	-	-	-	-	-	-	112
120		-	-	-	-	-	-	5.7	-	-	-	-	-	-	-	-	120
1)		69.4	33.3	24.7	14.3	10.4	4.6	-	-	-	-	-	-	-	-	-	1)

1) Capacities with horizontal boom



132,300 lb		19.7 ft (XL)		27.0 ft x 27.7 ft		360°		ASME B30.5														
		(ft)																				
		81.4	97.8	114.2	130.6	147.0	152.6	163.4	171.6	179.8	186.0	196.2	204.4	212.6	218.8	229.0	237.2	245.4	258.2	262.5		
ft		1,000 lb																		ft		
10	362.2	-	-	-	-	-	-	-	-	-	-	-	-	-	-	-	-	-	-	-	10	
12	356.9	-	-	-	-	-	-	-	-	-	-	-	-	-	-	-	-	-	-	-	12	
14	352.1	331.1	-	-	-	-	-	-	-	-	-	-	-	-	-	-	-	-	-	-	14	
16	348.9	325.2	310.0	-	-	-	-	-	-	-	-	-	-	-	-	-	-	-	-	-	16	
18	328.0	316.0	303.8	-	-	-	-	-	-	-	-	-	-	-	-	-	-	-	-	-	18	
20	309.7	305.4	296.3	279.0	-	-	-	-	-	-	-	-	-	-	-	-	-	-	-	-	20	
24	271.0	271.0	267.7	262.8	235.9	213.2	212.2	-	-	-	-	-	-	-	-	-	-	-	-	-	24	
28	236.6	239.4	238.3	236.6	228.8	213.2	210.2	189.6	187.5	-	-	-	-	-	-	-	-	-	-	-	28	
30	220.0	223.3	225.5	223.5	218.9	210.1	204.1	188.2	184.4	165.8	161.1	142.2	-	-	-	-	-	-	-	-	30	
32	203.7	207.3	209.2	208.5	202.7	197.8	192.8	183.3	179.0	165.6	157.1	142.2	-	-	-	-	-	-	-	-	32	
34	189.9	193.6	195.8	195.2	192.9	185.9	183.5	176.1	170.4	160.9	152.5	140.9	137.5	124.8	-	-	-	-	-	-	34	
36	177.8	181.4	183.6	183.0	181.3	175.1	172.0	167.0	160.9	153.9	147.5	138.8	134.4	121.9	-	-	-	-	-	-	36	
40	154.7	158.2	160.4	160.7	162.0	159.9	154.5	152.8	145.5	142.9	137.8	132.8	127.1	120.2	112.9	105.5	98.1	-	-	-	40	
48	121.0	124.9	127.4	127.6	129.0	128.8	122.2	121.2	120.5	119.1	111.4	110.4	107.8	104.2	99.6	95.0	89.7	81.4	78.1	48	48	
56	92.5	97.1	100.0	100.0	101.8	102.2	97.6	97.9	98.0	97.0	90.1	89.5	89.6	88.2	80.2	80.0	79.2	74.5	71.8	56	56	
64	72.0	76.2	78.9	78.9	80.7	81.1	77.6	78.7	79.6	79.8	74.0	73.9	74.1	72.9	65.5	65.5	65.7	63.9	63.3	64	64	
72	57.2	61.4	63.8	63.8	65.4	65.8	62.5	63.6	64.5	64.9	60.5	61.1	62.0	61.1	53.8	54.0	54.5	53.1	53.1	72	72	
80	-	50.4	52.8	52.8	54.3	54.6	51.5	52.4	53.4	53.9	49.4	50.1	51.4	51.4	44.8	45.1	45.6	44.5	44.5	80	80	
88	-	41.7	44.1	44.0	45.4	45.9	42.6	43.6	44.6	45.0	40.5	41.2	42.5	42.5	36.5	37.4	38.2	37.2	37.2	88	88	
96	-	34.6	36.9	36.6	38.2	38.6	35.1	36.2	37.3	37.8	33.0	33.8	35.0	35.1	29.2	30.3	31.4	30.8	30.8	96	96	
104	-	-	31.1	30.7	32.0	32.5	29.1	30.1	31.2	31.6	26.9	27.6	28.9	28.9	23.2	24.3	25.2	24.9	25.1	104	104	
112	-	-	-	25.6	27.1	27.5	24.0	25.1	26.0	26.4	21.8	22.7	23.8	23.8	18.1	19.2	20.2	20.3	20.3	112	112	
120	-	-	-	21.6	22.9	23.4	19.8	20.7	21.8	22.2	17.6	18.3	19.6	19.6	13.9	15.0	15.9	16.1	16.3	120	120	
128	-	-	-	18.2	19.4	19.7	16.3	17.2	18.2	18.5	14.1	14.8	16.0	16.0	10.3	11.4	12.3	12.5	12.7	128	128	
136	-	-	-	-	16.3	16.7	13.2	14.1	15.0	15.4	10.9	11.5	12.8	12.8	7.3	8.2	9.1	9.3	9.5	136	136	
144	-	-	-	-	-	14.2	10.7	11.4	12.2	12.7	8.3	8.9	10.0	10.0	-	5.4	6.3	6.5	6.7	144	144	
152	-	-	-	-	-	-	-	9.2	9.9	10.3	-	6.5	7.6	7.4	-	-	-	-	-	152	152	
160	-	-	-	-	-	-	-	7.2	8.0	8.1	-	-	5.4	-	-	-	-	-	-	160	160	
168	-	-	-	-	-	-	-	-	-	6.3	-	-	-	-	-	-	-	-	-	168	168	
176	-	-	-	-	-	-	-	-	-	4.6	-	-	-	-	-	-	-	-	-	176	176	



179.8 ft		19.7 ft (XL)			27.0 ft x 27.7 ft			360°		ASME B30.5	
ft	36.1 ft	55.8 ft	75.5 ft	95.1 ft	114.8 ft	134.5 ft	154.2 ft	173.9 ft	193.6 ft	ft	
1,000 lb											
48	85.1	68.7	-	-	-	-	-	-	-	48	
56	77.7	65.6	52.7	43.4	-	-	-	-	-	56	
64	70.1	61.7	50.0	41.1	34.8	-	-	-	-	64	
72	63.0	57.0	47.2	38.6	32.9	27.8	22.3	-	-	72	
80	57.1	52.1	44.6	36.3	30.8	26.4	21.0	17.5	-	80	
88	51.8	47.5	42.0	34.1	28.9	24.8	19.9	16.6	-	88	
96	47.4	43.3	39.5	32.1	27.2	23.2	18.8	15.7	-	96	
104	43.3	39.7	36.9	30.4	25.6	21.8	17.8	14.7	-	104	
112	39.3	36.4	34.2	28.8	24.2	20.4	16.7	13.8	-	112	
120	35.8	33.5	31.6	27.2	22.8	19.4	15.6	13.0	-	120	
128	32.5	30.6	29.2	25.6	21.6	18.3	14.7	12.2	-	128	
136	29.5	27.9	26.8	24.0	20.7	17.2	13.8	11.4	-	136	
144	26.6	25.5	24.6	22.3	19.7	16.4	13.0	10.8	-	144	
152	23.9	23.3	22.5	20.9	18.8	15.5	12.2	10.1	-	152	
160	21.6	21.1	20.7	19.4	17.8	14.7	11.5	9.5	-	160	
168	19.5	19.1	19.0	18.0	16.9	13.9	10.9	8.9	-	168	
176	17.5	17.2	17.2	16.5	15.8	13.1	10.2	8.3	-	176	
184	15.6	15.5	15.7	15.2	14.7	12.4	9.7	7.7	-	184	
192	13.5	13.8	14.2	13.8	13.6	11.7	9.1	7.2	-	192	
200	10.5	12.2	12.8	12.5	12.4	10.9	8.6	6.6	-	200	
208	-	10.7	11.3	11.2	11.3	10.2	8.0	6.2	-	208	
216	-	9.3	9.8	10.0	10.2	9.5	7.3	5.8	-	216	
224	-	-	8.6	8.8	9.1	8.9	6.8	5.4	-	224	
232	-	-	-	7.6	8.1	8.1	6.2	-	-	232	
240	-	-	-	6.5	7.0	7.2	5.5	-	-	240	
248	-	-	-	5.5	6.0	6.2	-	-	-	248	

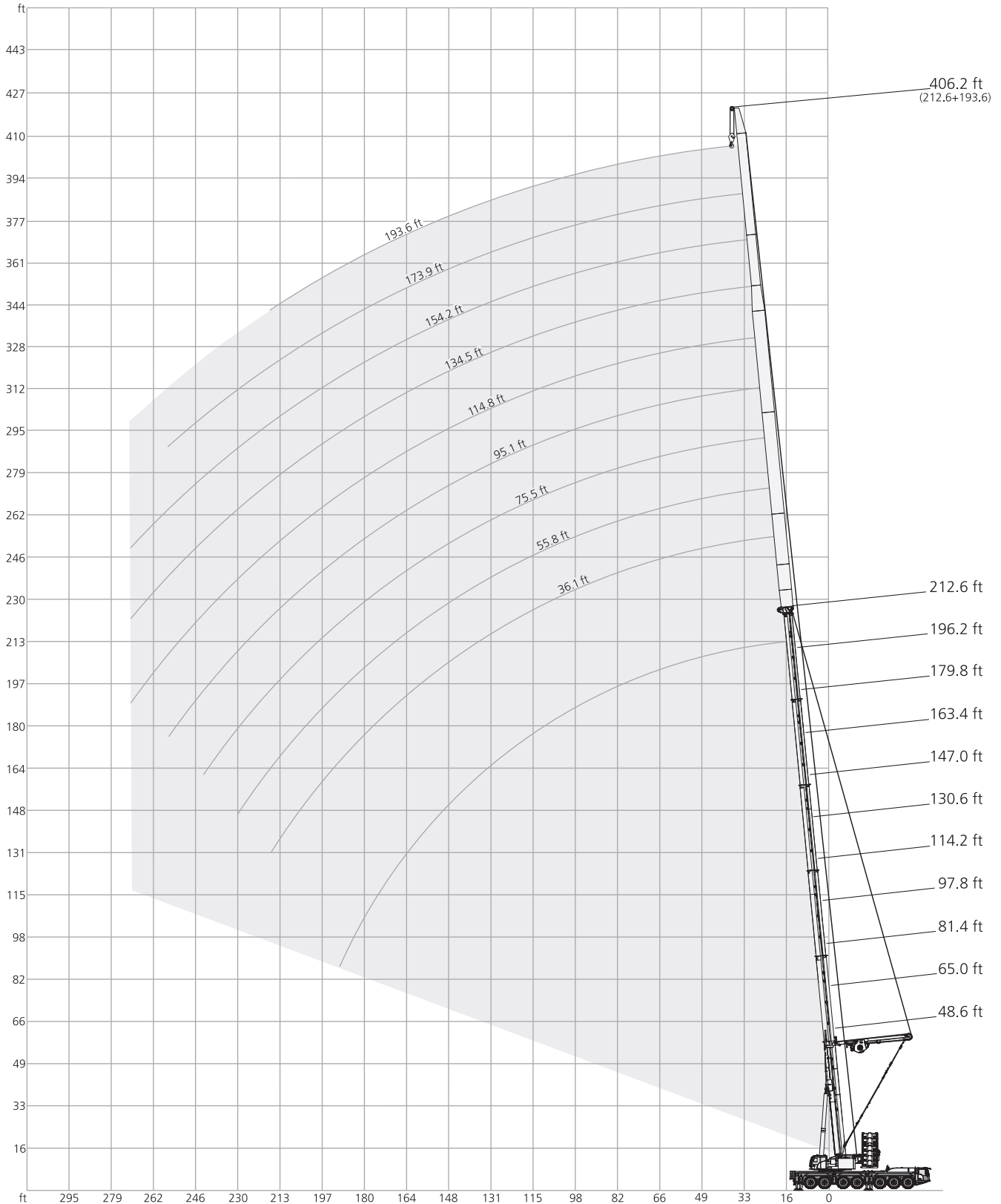
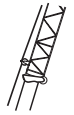
- 88,200 lb
- 110,200 lb
- 132,300 lb
- 154,350 lb
- 176,400 lb
- 198,400 lb
- 220,500 lb
- 242,500 lb
- 264,600 lb
- 286,600 lb

212.6 ft		19.7 ft (XL)			27.0 ft x 27.7 ft			360°		ASME B30.5	
ft	36.1 ft	55.8 ft	75.5 ft	95.1 ft	114.8 ft	134.5 ft	154.2 ft	173.9 ft	193.6 ft	ft	
1,000 lb											
56	55.9	-	-	-	-	-	-	-	-	56	
64	53.7	45.7	-	-	-	-	-	-	-	64	
72	49.7	43.0	37.7	30.6	-	-	-	-	-	72	
80	45.7	40.1	35.6	30.6	24.5	18.7	-	-	-	80	
88	42.0	36.8	33.0	29.5	24.2	18.7	16.7	-	-	88	
96	38.7	33.9	30.5	27.3	23.1	18.7	16.3	13.6	-	96	
104	35.6	31.4	28.1	25.2	21.6	18.6	15.7	13.1	-	104	
112	32.9	29.0	26.1	23.3	20.0	17.8	15.2	12.5	-	112	
120	30.3	26.8	24.2	21.7	18.4	16.7	14.4	12.0	-	120	
128	27.9	24.8	22.6	20.2	17.1	15.4	13.4	11.3	-	128	
136	25.6	22.9	21.1	18.7	15.9	14.4	12.4	10.5	-	136	
144	23.5	21.2	19.7	17.5	14.8	13.3	11.5	9.9	-	144	
152	21.6	19.4	18.3	16.2	13.7	12.2	10.5	9.2	-	152	
160	19.8	17.9	16.8	15.1	12.8	11.3	9.7	8.3	-	160	
168	18.2	16.5	15.5	14.0	11.9	10.5	8.9	7.6	-	168	
176	16.7	15.2	14.3	12.9	10.9	9.8	8.1	6.9	-	176	
184	15.3	14.0	13.2	12.0	10.2	9.1	7.5	6.3	-	184	
192	13.8	12.7	12.1	11.1	9.5	8.5	6.9	5.6	-	192	
200	12.3	11.5	11.0	10.3	8.7	7.8	6.4	5.1	-	200	
208	10.8	10.3	10.0	9.4	8.0	7.2	5.9	-	-	208	
216	9.4	9.1	9.1	8.4	7.3	6.6	5.3	-	-	216	
224	8.1	7.9	8.0	7.5	6.6	6.0	-	-	-	224	
232	-	6.7	7.0	6.6	6.0	5.3	-	-	-	232	
240	-	5.7	5.9	5.8	5.3	4.6	-	-	-	240	

- 88,200 lb
- 110,200 lb
- 132,300 lb
- 154,350 lb
- 176,400 lb
- 198,400 lb
- 220,500 lb
- 242,500 lb
- 264,600 lb
- 286,600 lb

245.4 ft		19.7 ft (XL)			27.0 ft x 27.7 ft			360°		ASME B30.5	
ft	36.1 ft	55.8 ft	75.5 ft	95.1 ft	114.8 ft	134.5 ft	154.2 ft	173.9 ft	193.6 ft	ft	
1,000 lb											
64	37.1	-	-	-	-	-	-	-	-	64	
72	36.6	29.3	-	-	-	-	-	-	-	72	
80	35.1	29.1	22.7	18.5	15.2	-	-	-	-	80	
88	32.5	27.5	22.3	18.5	15.2	-	-	-	-	88	
96	30.2	25.5	20.8	18.0	15.2	12.6	8.2	-	-	96	
104	28.0	23.8	19.3	16.7	14.8	12.6	8.2	-	-	104	
112	26.1	22.2	18.0	15.6	13.8	12.3	8.2	-	-	112	
120	24.3	20.6	16.7	14.5	12.8	11.2	8.2	-	-	120	
128	22.7	19.3	15.6	13.4	11.8	10.2	8.2	-	-	128	
136	21.2	18.1	14.6	12.5	11.0	9.4	7.7	-	-	136	
144	19.9	17.0	13.7	11.5	10.2	8.6	7.1	-	-	144	
152	18.8	15.9	12.9	10.7	9.4	8.0	6.3	-	-	152	
160	17.4	14.9	12.1	10.1	8.8	7.3	5.8	-	-	160	
168	16.2	13.9	11.3	9.4	8.1	6.8	5.2	-	-	168	
176	15.1	12.9	10.5	8.9	7.6	6.3	4.7	-	-	176	
184	14.1	12.0	9.8	8.2	7.0	5.7	-	-	-	184	
192	13.0	11.1	9.1	7.6	6.5	5.2	-	-	-	192	
200	11.9	10.3	8.4	7.1	6.1	4.8	-	-	-	200	
208	10.9	9.5	7.8	6.5	5.6	-	-	-	-	208	
216	10.0	8.7	7.1	6.0	5.1	-	-	-	-	216	
224	9.0	7.8	6.6	5.5	-	-	-	-	-	224	
232	8.1	7.0	6.0	-	-	-	-	-	-	232	
240	7.0	6.2	5.3	-	-	-	-	-	-	240	
248	6.0	5.4	-	-	-	-	-	-	-	248	

88,200 lb	110,200 lb	132,300 lb	154,350 lb	176,400 lb	198,400 lb	220,500 lb	242,500 lb	264,600 lb	286,600 lb
-----------	------------	------------	------------	------------	------------	------------	------------	------------	------------



179.8 ft		19.7 ft (XL)			27.0 ft x 27.7 ft			360°		ASME B30.5	
ft	36.1 ft	55.8 ft	75.5 ft	95.1 ft	114.8 ft	134.5 ft	154.2 ft	173.9 ft	193.6 ft	ft	
1,000 lb											
34	126.5	-	-	-	-	-	-	-	-	34	
36	124.1	-	-	-	-	-	-	-	-	36	
40	119.4	91.2	72.9	-	-	-	-	-	-	40	
48	109.1	84.3	67.1	55.7	-	-	-	-	-	48	
56	98.0	78.1	61.8	51.2	43.0	36.8	-	-	-	56	
64	88.1	72.5	57.3	47.3	39.7	34.1	29.6	-	-	64	
72	79.3	67.8	53.2	43.7	36.7	31.4	27.2	22.3	-	72	
80	72.6	63.2	49.5	40.6	34.0	29.2	25.1	20.7	17.4	80	
88	65.9	58.6	46.5	37.9	31.7	27.1	23.3	19.2	16.2	88	
96	59.8	54.1	43.9	35.5	29.7	25.3	21.7	17.8	15.0	96	
104	54.4	49.7	41.5	33.5	27.8	23.6	20.0	16.5	13.8	104	
112	49.8	45.9	39.1	31.4	26.4	22.2	18.7	15.4	12.7	112	
120	46.1	42.4	36.8	29.6	24.8	20.9	17.6	14.3	11.9	120	
128	42.8	39.1	34.6	28.0	23.3	19.7	16.5	13.2	10.9	128	
136	38.7	36.3	32.6	26.4	21.9	18.5	15.5	12.3	10.1	136	
144	34.4	33.6	30.7	25.0	20.8	17.5	14.6	11.5	9.3	144	
152	30.6	31.2	28.8	23.9	19.7	16.4	13.6	10.7	8.5	152	
160	27.2	28.3	27.0	22.8	18.6	15.5	12.8	10.1	8.0	160	
168	24.1	25.3	25.2	21.8	17.7	14.7	11.9	9.4	7.4	168	
176	21.2	22.5	23.4	20.9	16.9	14.0	11.1	8.9	6.7	176	
184	17.2	20.0	21.1	19.8	16.2	13.3	10.6	8.4	6.2	184	
192	12.7	17.4	18.7	18.6	15.5	12.6	10.0	7.8	5.6	192	
200	7.2	14.2	16.6	17.2	14.8	12.0	9.3	7.3	5.2	200	
208	-	10.5	14.3	15.5	14.2	11.4	8.8	6.7	4.8	208	
216	-	6.4	11.8	13.6	13.5	10.8	8.4	6.2	4.4	216	
224	-	-	8.8	11.7	12.6	10.4	7.9	5.8	-	224	
232	-	-	-	9.6	11.5	10.0	7.4	5.4	-	232	
240	-	-	-	7.1	10.0	9.4	7.1	5.0	-	240	
248	-	-	-	-	8.1	8.6	6.8	-	-	248	
256	-	-	-	-	-	7.7	6.4	-	-	256	
264	-	-	-	-	-	5.9	6.0	-	-	264	

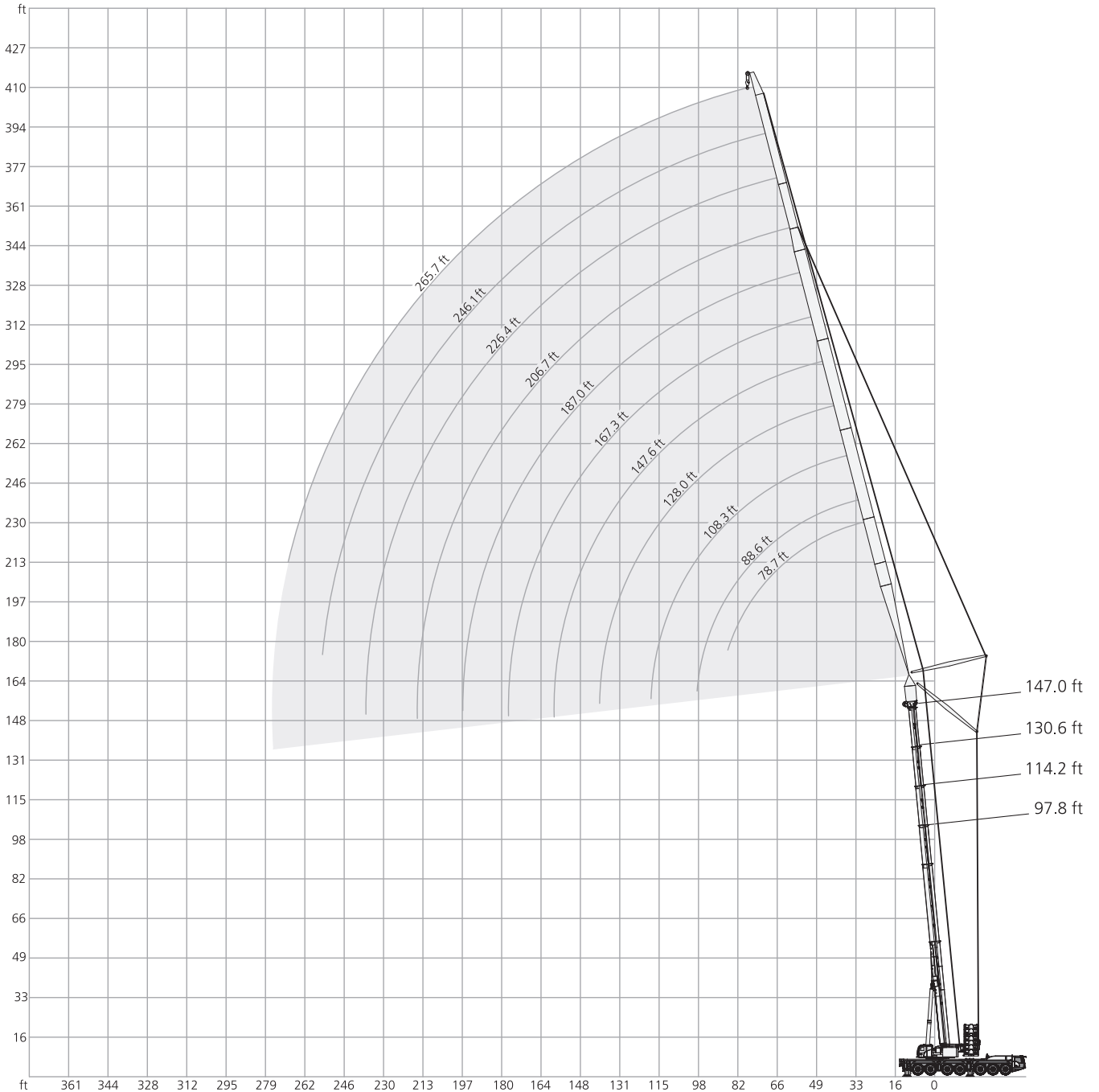
 132,300 lb
  154,350 lb
  176,400 lb
  198,400 lb
  220,500 lb
  242,500 lb
  264,600 lb
  286,600 lb
  308,600 lb
  330,700 lb

212.6 ft		19.7 ft (XL)		27.0 ft x 27.7 ft		360°		ASME B30.5		
ft	36.1 ft	55.8 ft	75.5 ft	95.1 ft	114.8 ft	134.5 ft	154.2 ft	173.9 ft	193.6 ft	ft
1,000 lb										
40	95.3	-	-	-	-	-	-	-	-	40
48	87.5	74.6	-	-	-	-	-	-	-	48
56	79.8	69.5	56.4	46.2	-	-	-	-	-	56
64	72.6	64.1	53.1	43.3	36.7	-	-	-	-	64
72	66.1	58.8	50.1	40.6	34.4	29.4	-	-	-	72
80	60.4	54.0	47.2	38.2	32.3	27.5	22.5	19.0	-	80
88	55.4	49.5	44.3	36.1	30.5	25.9	21.1	17.9	14.7	88
96	51.1	45.6	41.5	33.9	28.6	24.3	19.7	16.9	13.9	96
104	47.0	42.1	38.5	32.2	26.9	22.9	18.5	15.8	12.9	104
112	43.0	38.9	35.8	30.5	25.5	21.5	17.4	14.7	12.1	112
120	39.6	35.9	33.3	28.7	24.2	20.2	16.3	13.7	11.3	120
128	36.7	33.1	30.7	27.1	23.1	19.2	15.4	12.9	10.6	128
136	34.1	30.5	28.5	25.3	22.1	18.3	14.5	12.1	9.9	136
144	31.6	28.3	26.3	23.7	21.0	17.5	13.7	11.3	9.1	144
152	29.5	26.4	24.4	22.3	20.1	16.6	12.9	10.7	8.5	152
160	27.6	24.6	22.6	20.7	19.1	15.8	12.2	10.0	8.0	160
168	25.5	23.0	21.2	19.4	18.0	15.0	11.6	9.4	7.5	168
176	23.1	21.4	19.8	18.1	16.9	14.2	11.1	8.9	6.9	176
184	20.6	20.1	18.5	16.8	16.0	13.4	10.6	8.4	6.4	184
192	18.3	18.7	17.2	15.6	15.0	12.6	10.0	7.8	5.9	192
200	16.1	16.6	16.1	14.4	13.9	12.0	9.5	7.3	5.5	200
208	13.5	14.7	14.8	13.4	12.8	11.3	9.0	6.8	5.0	208
216	10.6	12.9	13.3	12.6	11.8	10.6	8.4	6.4	4.4	216
224	-	10.7	11.7	11.8	10.9	10.0	7.9	6.1	-	224
232	-	-	10.1	10.8	10.2	9.3	7.3	5.8	-	232
240	-	-	8.3	9.3	9.5	8.6	6.8	5.4	-	240
248	-	-	-	7.9	8.6	8.0	6.3	5.0	-	248
256	-	-	-	-	7.5	7.5	5.7	-	-	256
264	-	-	-	-	6.3	6.4	5.2	-	-	264
272	-	-	-	-	-	-	-	-	-	272
280	-	-	-	-	-	-	-	-	-	280


132,300 lb
154,350 lb
176,400 lb
198,400 lb
220,500 lb
242,500 lb
264,600 lb
286,600 lb
308,600 lb
330,700 lb

245.4 ft		19.7 ft (XL)			27.0 ft x 27.7 ft			360°		ASME B30.5	
ft	36.1 ft	55.8 ft	75.5 ft	95.1 ft	114.8 ft	134.5 ft	154.2 ft	173.9 ft	193.6 ft	ft	
	1,000 lb										
48	63.2	-	-	-	-	-	-	-	-	48	
56	59.6	48.1	-	-	-	-	-	-	-	56	
64	54.9	45.2	38.4	-	-	-	-	-	-	64	
72	50.6	42.0	35.8	30.7	-	-	-	-	-	72	
80	46.6	39.1	33.4	28.4	22.7	18.5	-	-	-	80	
88	42.9	36.6	31.2	26.5	21.3	18.2	13.9	-	-	88	
96	39.7	34.0	29.1	24.7	19.7	17.1	13.9	-	-	96	
104	36.9	31.6	27.1	23.1	18.2	15.8	13.1	-	-	104	
112	34.3	29.2	25.7	21.5	17.1	14.7	12.1	-	-	112	
120	31.8	27.3	24.2	20.2	16.1	13.7	11.2	-	-	120	
128	29.5	25.5	22.7	19.1	15.1	12.9	10.4	-	-	128	
136	27.4	23.6	21.2	17.9	14.3	12.1	9.7	-	-	136	
144	25.4	21.9	19.9	17.0	13.3	11.3	8.9	-	-	144	
152	23.8	20.3	18.6	16.2	12.5	10.5	8.3	-	-	152	
160	22.3	19.0	17.2	15.2	11.9	9.9	7.5	-	-	160	
168	20.9	17.7	16.0	14.3	11.2	9.2	7.1	-	-	168	
176	19.6	16.5	14.9	13.4	10.7	8.7	6.7	-	-	176	
184	18.4	15.5	14.0	12.5	10.0	8.1	6.2	-	-	184	
192	17.2	14.6	13.0	11.7	9.4	7.6	5.6	-	-	192	
200	16.3	13.6	12.1	10.9	8.8	7.2	5.2	-	-	200	
208	15.2	12.8	11.2	10.1	8.3	6.7	-	-	-	208	
216	14.0	12.0	10.4	9.3	7.8	6.2	-	-	-	216	
224	12.4	11.2	9.7	8.5	7.2	5.8	-	-	-	224	
232	10.6	10.3	9.1	7.7	6.6	5.4	-	-	-	232	
240	8.5	9.4	8.4	7.1	6.0	5.0	-	-	-	240	
248	-	7.9	7.7	6.5	5.4	-	-	-	-	248	
256	-	-	7.0	5.9	-	-	-	-	-	256	
264	-	-	5.8	5.3	-	-	-	-	-	264	

132,300 lb	154,350 lb	176,400 lb	198,400 lb	220,500 lb	242,500 lb	264,600 lb	286,600 lb	308,600 lb	330,700 lb
------------	------------	------------	------------	------------	------------	------------	------------	------------	------------



19.7 ft (XL)													360°			ASME B30.5						
97.8 ft																						
78.7 ft													88.6 ft			108.3 ft			128.0 ft			
84° 73° 65°													84° 73° 65°			84° 73° 65°			84° 73° 65°			
ft													1,000 lb									ft
48	115.8	-	-	-	-	-	-	-	-	-	-	-	-	-	-	-	-	-	-	-	48	
56	113.9	-	-	-	-	-	-	-	-	-	-	-	-	-	-	-	-	-	-	-	56	
64	112.8	-	-	-	-	-	-	-	-	-	-	-	-	-	-	-	-	-	-	-	64	
72	112.0	-	-	-	-	-	-	-	-	-	-	-	-	-	-	-	-	-	-	-	72	
80	-	-	-	-	-	-	-	-	-	-	-	-	-	-	-	-	-	-	-	-	80	
88	-	92.4	-	-	-	-	-	-	-	-	-	-	-	-	-	-	-	-	-	-	88	
96	-	84.9	-	-	-	-	-	-	-	-	-	-	-	-	-	-	-	-	-	-	96	
104	-	78.4	-	-	-	-	-	-	-	-	-	-	-	-	-	-	-	-	-	-	104	
112	-	-	67.4	-	-	-	-	-	-	-	-	-	-	-	-	-	-	-	-	-	112	
120	-	-	-	-	-	-	-	-	-	-	-	-	-	-	-	-	-	-	-	-	120	
128	-	-	-	-	-	-	-	-	-	-	-	-	-	-	-	-	-	-	-	-	128	
136	-	-	-	-	-	-	-	-	-	-	-	-	-	-	-	-	-	-	-	-	136	
144	-	-	-	-	-	-	-	-	-	-	-	-	-	-	-	-	-	-	-	-	144	
152	-	-	-	-	-	-	-	-	-	-	-	-	-	-	-	-	-	-	-	-	152	
160	-	-	-	-	-	-	-	-	-	-	-	-	-	-	-	-	-	-	-	-	160	

147.6 ft													167.3 ft			187.0 ft			206.7 ft			
84° 73° 65°													84° 73° 65°			84° 73° 65°			84° 73° 65°			
ft													1,000 lb									ft
56	55.3	-	-	-	-	-	-	-	-	-	-	-	-	-	-	-	-	-	-	-	56	
64	54.1	-	-	-	-	-	-	-	-	-	-	-	-	-	-	-	-	-	-	-	64	
72	53.1	-	-	-	-	-	-	-	-	-	-	-	-	-	-	-	-	-	-	-	72	
80	52.1	-	-	-	-	-	-	-	-	-	-	-	-	-	-	-	-	-	-	-	80	
88	51.3	-	-	-	-	-	-	-	-	-	-	-	-	-	-	-	-	-	-	-	88	
96	50.6	-	-	-	-	-	-	-	-	-	-	-	-	-	-	-	-	-	-	-	96	
104	50.1	-	-	-	-	-	-	-	-	-	-	-	-	-	-	-	-	-	-	-	104	
112	49.8	46.0	-	-	-	-	-	-	-	-	-	-	-	-	-	-	-	-	-	-	112	
120	49.5	45.2	-	-	-	-	-	-	-	-	-	-	-	-	-	-	-	-	-	-	120	
128	48.7	44.4	-	-	-	-	-	-	-	-	-	-	-	-	-	-	-	-	-	-	128	
136	47.6	43.9	-	-	-	-	-	-	-	-	-	-	-	-	-	-	-	-	-	-	136	
144	44.9	43.7	-	-	-	-	-	-	-	-	-	-	-	-	-	-	-	-	-	-	144	
152	-	43.7	40.9	-	-	-	-	-	-	-	-	-	-	-	-	-	-	-	-	-	152	
160	-	43.7	40.5	-	-	-	-	-	-	-	-	-	-	-	-	-	-	-	-	-	160	
168	-	43.1	39.3	-	-	-	-	-	-	-	-	-	-	-	-	-	-	-	-	-	168	
176	-	-	37.1	-	-	-	-	-	-	-	-	-	-	-	-	-	-	-	-	-	176	
184	-	-	-	-	-	-	-	-	-	-	-	-	-	-	-	-	-	-	-	-	184	
192	-	-	-	-	-	-	-	-	-	-	-	-	-	-	-	-	-	-	-	-	192	
200	-	-	-	-	-	-	-	-	-	-	-	-	-	-	-	-	-	-	-	-	200	
208	-	-	-	-	-	-	-	-	-	-	-	-	-	-	-	-	-	-	-	-	208	
216	-	-	-	-	-	-	-	-	-	-	-	-	-	-	-	-	-	-	-	-	216	
224	-	-	-	-	-	-	-	-	-	-	-	-	-	-	-	-	-	-	-	-	224	
232	-	-	-	-	-	-	-	-	-	-	-	-	-	-	-	-	-	-	-	-	232	
240	-	-	-	-	-	-	-	-	-	-	-	-	-	-	-	-	-	-	-	-	240	

- 132,300 lb
- 154,350 lb
- 176,400 lb
- 198,400 lb
- 220,500 lb
- 242,500 lb
- 264,600 lb
- 286,600 lb
- 308,600 lb
- 330,700 lb

19.7 ft (XL)										360°			ASME B30.5						
97.8 ft										226.4 ft			246.1 ft			265.7 ft			
										84°			73°			65°			
ft										1,000 lb									ft
80	23.7	-	-	-	-	-	-	-	-	-	-	-	-	-	-	-	-	-	80
88	23.4	-	-	-	19.3	-	-	-	-	-	-	-	-	-	-	-	-	-	88
96	22.9	-	-	-	18.9	-	-	-	-	-	-	16.0	-	-	-	-	-	-	96
104	22.5	-	-	-	18.6	-	-	-	-	-	-	15.7	-	-	-	-	-	-	104
112	22.0	-	-	-	18.1	-	-	-	-	-	-	15.4	-	-	-	-	-	-	112
120	21.8	-	-	-	17.8	-	-	-	-	-	-	15.1	-	-	-	-	-	-	120
128	21.5	-	-	-	17.4	-	-	-	-	-	-	14.7	-	-	-	-	-	-	128
136	21.2	-	-	-	17.0	-	-	-	-	-	-	14.4	-	-	-	-	-	-	136
144	21.0	-	-	-	16.8	-	-	-	-	-	-	14.1	-	-	-	-	-	-	144
152	20.7	19.8	-	-	16.5	-	-	-	-	-	-	13.9	-	-	-	-	-	-	152
160	20.6	19.3	-	-	16.2	15.7	-	-	-	-	-	13.7	-	-	-	-	-	-	160
168	20.5	19.0	-	-	16.0	15.3	-	-	-	-	-	13.5	12.9	-	-	-	-	-	168
176	20.3	19.0	-	-	15.7	15.0	-	-	-	-	-	13.3	12.6	-	-	-	-	-	176
184	20.0	18.7	-	-	15.6	14.8	-	-	-	-	-	13.2	12.3	-	-	-	-	-	184
192	19.6	18.5	17.8	-	15.4	14.6	-	-	-	-	-	13.0	12.3	-	-	-	-	-	192
200	19.2	18.3	17.5	-	15.0	14.3	-	-	-	-	-	12.9	12.0	-	-	-	-	-	200
208	18.5	18.3	17.3	-	14.6	14.2	13.7	-	-	-	-	12.8	11.8	-	-	-	-	-	208
216	17.7	18.3	17.2	-	14.1	14.1	13.5	-	-	-	-	12.6	11.7	11.2	-	-	-	-	216
224	16.7	18.3	17.0	-	13.9	13.9	13.2	-	-	-	-	12.3	11.5	11.0	-	-	-	-	224
232	-	18.3	17.0	-	13.6	13.8	13.0	-	-	-	-	12.0	11.5	10.8	-	-	-	-	232
240	-	18.1	17.0	-	13.1	13.7	13.0	-	-	-	-	11.8	11.5	10.6	-	-	-	-	240
248	-	17.9	17.0	-	12.8	13.5	13.0	-	-	-	-	11.5	11.5	10.5	-	-	-	-	248
256	-	-	17.0	-	-	13.2	13.0	-	-	-	-	11.2	11.5	10.4	-	-	-	-	256
264	-	-	-	-	-	13.1	12.9	-	-	-	-	10.5	11.5	10.4	-	-	-	-	264
272	-	-	-	-	-	-	12.8	-	-	-	-	-	11.4	10.4	-	-	-	-	272
280	-	-	-	-	-	-	12.8	-	-	-	-	-	11.3	10.4	-	-	-	-	280
288	-	-	-	-	-	-	-	-	-	-	-	-	11.0	10.4	-	-	-	-	288
296	-	-	-	-	-	-	-	-	-	-	-	-	-	10.4	-	-	-	-	296

132,300 lb 154,350 lb 176,400 lb 198,400 lb 220,500 lb 242,500 lb 264,600 lb 286,600 lb 308,600 lb 330,700 lb

19.7 ft (XL) 360° ASME B30.5													
114.2 ft													
78.7 ft				88.6 ft			108.3 ft			128.0 ft			
84° 73° 65°				84° 73° 65°			84° 73° 65°			84° 73° 65°			
ft	1,000 lb											ft	
56	100.8	-	-	90.2	-	-	-	-	-	60.4	-	-	56
64	99.6	-	-	89.1	-	-	71.9	-	-	59.3	-	-	64
72	99.4	-	-	88.2	-	-	71.0	-	-	58.2	-	-	72
80	99.1	-	-	87.9	-	-	70.2	-	-	57.5	-	-	80
88	-	-	-	87.7	-	-	69.8	-	-	56.9	-	-	88
96	-	83.2	-	-	-	-	69.5	-	-	56.4	-	-	96
104	-	76.8	-	-	75.9	-	69.3	-	-	56.2	-	-	104
112	-	-	-	-	70.7	-	-	62.6	-	56.0	50.9	-	112
120	-	-	-	-	-	-	-	61.9	-	55.7	50.1	-	120
128	-	-	-	-	-	-	-	60.4	-	54.7	49.6	-	128
136	-	-	-	-	-	-	-	56.8	-	-	49.2	-	136
144	-	-	-	-	-	-	-	-	48.0	-	49.2	46.3	144
152	-	-	-	-	-	-	-	-	-	-	48.8	43.7	152
160	-	-	-	-	-	-	-	-	-	-	-	41.1	160
168	-	-	-	-	-	-	-	-	-	-	-	38.7	168

147.6 ft 167.3 ft 187.0 ft 206.7 ft													
84° 73° 65°				84° 73° 65°			84° 73° 65°			84° 73° 65°			
ft	1,000 lb											ft	
64	48.3	-	-	-	-	-	-	-	-	-	-	-	64
72	47.4	-	-	39.3	-	-	33.3	-	-	-	-	-	72
80	46.7	-	-	38.5	-	-	32.8	-	-	26.9	-	-	80
88	46.0	-	-	37.9	-	-	32.2	-	-	26.5	-	-	88
96	45.5	-	-	37.2	-	-	31.7	-	-	26.0	-	-	96
104	45.0	-	-	36.7	-	-	31.2	-	-	25.6	-	-	104
112	44.7	-	-	36.3	-	-	30.8	-	-	25.1	-	-	112
120	44.5	41.7	-	35.9	-	-	30.4	-	-	24.8	-	-	120
128	44.4	41.0	-	35.8	33.8	-	30.1	-	-	24.6	-	-	128
136	44.0	40.5	-	35.6	33.2	-	29.9	28.3	-	24.2	-	-	136
144	43.5	40.1	-	35.3	32.9	-	29.8	27.8	-	24.0	-	-	144
152	-	39.9	-	35.0	32.4	-	29.5	27.5	-	23.8	21.3	-	152
160	-	39.9	37.5	34.3	32.1	-	29.5	27.2	-	23.7	21.1	-	160
168	-	39.9	37.0	32.9	32.0	30.4	29.1	26.8	-	23.5	20.8	-	168
176	-	39.7	35.5	-	32.0	30.0	28.3	26.7	-	23.2	20.5	-	176
184	-	-	33.5	-	32.0	29.8	27.1	26.5	23.8	22.7	20.3	-	184
192	-	-	-	-	32.0	29.5	-	26.5	23.5	22.1	20.1	19.1	192
200	-	-	-	-	-	29.0	-	26.5	23.4	21.3	20.1	19.0	200
208	-	-	-	-	-	27.5	-	26.5	23.4	20.2	20.1	18.8	208
216	-	-	-	-	-	-	-	26.5	23.4	-	20.1	18.5	216
224	-	-	-	-	-	-	-	-	23.3	-	20.1	18.5	224
232	-	-	-	-	-	-	-	-	-	-	20.1	18.5	232
240	-	-	-	-	-	-	-	-	-	-	-	18.5	240
248	-	-	-	-	-	-	-	-	-	-	-	18.5	248

- 132,300 lb
- 154,350 lb
- 176,400 lb
- 198,400 lb
- 220,500 lb
- 242,500 lb
- 264,600 lb
- 286,600 lb
- 308,600 lb
- 330,700 lb

19.7 ft (XL)				360°						ASME B30.5							
114.2 ft																	
226.4 ft																	
246.1 ft																	
265.7 ft																	
84°			73°			65°			84°			73°			65°		
1,000 lb																	
ft											ft						
88	21.6	-	-	17.7	-	-	-	-	-	-	88						
96	21.3	-	-	17.3	-	-	14.6	-	-	-	96						
104	20.8	-	-	17.0	-	-	14.4	-	-	-	104						
112	20.5	-	-	16.5	-	-	14.1	-	-	-	112						
120	20.2	-	-	16.3	-	-	13.8	-	-	-	120						
128	20.0	-	-	16.0	-	-	13.6	-	-	-	128						
136	19.7	-	-	15.7	-	-	13.3	-	-	-	136						
144	19.4	-	-	15.4	-	-	13.0	-	-	-	144						
152	19.2	-	-	15.2	-	-	12.8	-	-	-	152						
160	19.0	18.0	-	15.0	-	-	12.5	-	-	-	160						
168	19.0	17.7	-	14.9	14.2	-	12.3	-	-	-	168						
176	18.8	17.5	-	14.6	13.9	-	12.2	11.5	-	-	176						
184	18.7	17.2	-	14.5	13.7	-	12.1	11.5	-	-	184						
192	18.5	17.1	-	14.3	13.4	-	11.9	11.2	-	-	192						
200	18.3	17.0	-	14.0	13.2	-	11.8	10.9	-	-	200						
208	18.0	16.8	15.9	13.7	13.1	-	11.7	10.8	-	-	208						
216	17.2	16.8	15.9	13.5	13.0	12.3	11.7	10.6	-	-	216						
224	16.4	16.8	15.7	13.2	12.8	12.1	11.5	10.6	9.9	-	224						
232	-	16.8	15.6	12.9	12.8	11.9	11.4	10.4	9.9	-	232						
240	-	16.8	15.5	12.7	12.8	11.9	11.3	10.4	9.7	-	240						
248	-	16.8	15.4	12.2	12.6	11.7	11.0	10.4	9.6	-	248						
256	-	-	15.4	-	12.6	11.7	10.6	10.4	9.5	-	256						
264	-	-	15.4	-	12.3	11.7	9.9	10.4	9.3	-	264						
272	-	-	-	-	12.1	11.7	-	10.4	9.3	-	272						
280	-	-	-	-	-	11.7	-	10.4	9.3	-	280						
288	-	-	-	-	-	11.7	-	10.4	9.3	-	288						
296	-	-	-	-	-	-	-	-	9.3	-	296						
304	-	-	-	-	-	-	-	-	9.3	-	304						

132,300 lb 154,350 lb 176,400 lb 198,400 lb 220,500 lb 242,500 lb 264,600 lb 286,600 lb 308,600 lb 330,700 lb

19.7 ft (XL)		360°												ASME B30.5	
130.6 ft															
		78.7 ft			88.6 ft			108.3 ft			128.0 ft				
		84°	73°	65°	84°	73°	65°	84°	73°	65°	84°	73°	65°		
ft	1,000 lb												ft		
56	85.5	-	-	76.2	-	-	-	-	-	-	51.1	-	-	56	
64	84.3	-	-	75.2	-	-	-	-	-	-	50.5	-	-	64	
72	83.1	-	-	74.1	-	-	61.1	-	-	-	49.6	-	-	72	
80	82.3	-	-	73.3	-	-	60.3	-	-	-	49.1	-	-	80	
88	-	-	-	72.5	-	-	59.7	-	-	-	48.5	-	-	88	
96	-	-	-	-	-	-	59.0	-	-	-	47.8	-	-	96	
104	-	72.9	-	-	-	-	58.5	-	-	-	47.2	-	-	104	
112	-	-	-	-	66.2	-	-	-	-	-	46.9	-	-	112	
120	-	-	-	-	-	-	-	55.0	-	-	46.5	44.6	-	120	
128	-	-	-	-	-	-	-	54.5	-	-	46.2	44.2	-	128	
136	-	-	-	-	-	-	-	53.8	-	-	-	43.8	-	136	
144	-	-	-	-	-	-	-	-	-	-	-	43.7	-	144	
152	-	-	-	-	-	-	-	-	-	-	-	43.4	-	152	
160	-	-	-	-	-	-	-	-	-	-	-	-	39.6	160	
168	-	-	-	-	-	-	-	-	-	-	-	-	37.3	168	
176	-	-	-	-	-	-	-	-	-	-	-	-	35.1	176	

		147.6 ft			167.3 ft			187.0 ft			206.7 ft				
		84°	73°	65°	84°	73°	65°	84°	73°	65°	84°	73°	65°		
ft	1,000 lb												ft		
64	42.1	-	-	-	-	-	-	-	-	-	-	-	-	64	
72	41.5	-	-	34.0	-	-	-	-	-	-	-	-	-	72	
80	40.9	-	-	33.5	-	-	28.4	-	-	-	21.4	-	-	80	
88	40.4	-	-	33.1	-	-	27.9	-	-	-	21.4	-	-	88	
96	39.8	-	-	32.6	-	-	27.5	-	-	-	21.2	-	-	96	
104	39.3	-	-	32.2	-	-	27.2	-	-	-	20.8	-	-	104	
112	38.8	-	-	31.7	-	-	26.7	-	-	-	20.5	-	-	112	
120	38.5	-	-	31.5	-	-	26.4	-	-	-	20.2	-	-	120	
128	38.0	36.7	-	31.2	-	-	26.1	-	-	-	20.0	-	-	128	
136	37.8	36.3	-	30.8	29.8	-	25.9	-	-	-	19.7	-	-	136	
144	37.5	35.7	-	30.4	29.3	-	25.6	-	-	-	19.6	-	-	144	
152	-	35.5	-	30.4	29.1	-	25.5	23.3	-	-	19.4	18.9	-	152	
160	-	35.4	-	30.1	28.8	-	25.4	22.8	-	-	19.1	18.7	-	160	
168	-	35.3	33.3	29.8	28.5	-	25.2	22.7	-	-	19.0	18.6	-	168	
176	-	35.3	33.1	-	28.4	-	25.1	22.5	-	-	19.0	18.3	-	176	
184	-	-	32.1	-	28.4	26.7	24.7	22.3	-	-	18.7	18.1	-	184	
192	-	-	30.5	-	28.4	26.5	-	22.3	20.9	-	18.7	17.9	-	192	
200	-	-	-	-	-	26.3	-	22.3	20.8	-	18.3	17.9	-	200	
208	-	-	-	-	-	26.1	-	22.3	20.7	-	17.8	17.7	16.6	208	
216	-	-	-	-	-	25.0	-	22.3	20.7	-	-	17.6	16.5	216	
224	-	-	-	-	-	-	-	-	20.7	-	-	17.6	16.5	224	
232	-	-	-	-	-	-	-	-	20.7	-	-	17.6	16.5	232	
240	-	-	-	-	-	-	-	-	-	-	-	-	16.5	240	
248	-	-	-	-	-	-	-	-	-	-	-	-	16.5	248	

- 132,300 lb
- 154,350 lb
- 176,400 lb
- 198,400 lb
- 220,500 lb
- 242,500 lb
- 264,600 lb
- 286,600 lb
- 308,600 lb
- 330,700 lb

		19.7 ft (XL)			360°			ASME B30.5			
130.6 ft		226.4 ft			246.1 ft			265.7 ft			
		84°	73°	65°	84°	73°	65°	84°	73°	65°	
ft	1,000 lb									ft	
88	19.0	-	-	-	-	-	-	-	-	-	88
96	18.7	-	-	15.1	-	-	12.7	-	-	-	96
104	18.3	-	-	14.8	-	-	12.4	-	-	-	104
112	18.1	-	-	14.5	-	-	12.1	-	-	-	112
120	17.8	-	-	14.3	-	-	12.1	-	-	-	120
128	17.5	-	-	14.0	-	-	11.8	-	-	-	128
136	17.3	-	-	13.9	-	-	11.5	-	-	-	136
144	17.0	-	-	13.7	-	-	11.3	-	-	-	144
152	16.9	-	-	13.4	-	-	11.2	-	-	-	152
160	16.7	-	-	13.1	-	-	10.9	-	-	-	160
168	16.4	15.7	-	13.0	-	-	10.7	-	-	-	168
176	16.3	15.7	-	12.8	12.2	-	10.6	-	-	-	176
184	16.1	15.4	-	12.6	12.1	-	10.4	9.9	-	-	184
192	16.0	15.2	-	12.5	11.8	-	10.3	9.7	-	-	192
200	15.9	15.0	-	12.2	11.7	-	10.1	9.6	-	-	200
208	15.7	14.8	-	12.1	11.5	-	10.0	9.3	-	-	208
216	15.7	14.8	13.9	12.1	11.5	-	9.9	9.3	-	-	216
224	15.2	14.8	13.9	11.9	11.2	10.6	9.7	9.0	-	-	224
232	-	14.8	13.7	11.8	11.2	10.4	9.7	9.0	-	-	232
240	-	14.8	13.7	11.6	11.2	10.4	9.6	8.9	8.2	-	240
248	-	14.8	13.7	11.3	11.2	10.4	9.4	8.8	8.2	-	248
256	-	-	13.7	-	11.2	10.1	9.3	8.8	8.2	-	256
264	-	-	13.7	-	11.1	10.1	8.9	8.8	8.0	-	264
272	-	-	13.7	-	11.0	10.1	-	8.8	7.9	-	272
280	-	-	-	-	-	10.1	-	8.8	7.9	-	280
288	-	-	-	-	-	10.1	-	8.8	7.9	-	288
296	-	-	-	-	-	-	-	-	7.9	-	296
304	-	-	-	-	-	-	-	-	7.9	-	304
312	-	-	-	-	-	-	-	-	7.9	-	312

132,300 lb 154,350 lb 176,400 lb 198,400 lb 220,500 lb 242,500 lb 264,600 lb 286,600 lb 308,600 lb 330,700 lb

19.7 ft (XL)													360°			ASME B30.5						
147.0 ft																						
78.7 ft													88.6 ft			108.3 ft			128.0 ft			
84° 73° 65°													84° 73° 65°			84° 73° 65°			84° 73° 65°			
ft													1,000 lb									ft
64	70.4	-	-	63.9	-	-	-	-	-	43.3	-	-	64									
72	68.6	-	-	63.1	-	-	51.4	-	-	42.8	-	-	72									
80	63.3	-	-	61.7	-	-	50.8	-	-	42.2	-	-	80									
88	-	-	-	57.1	-	-	49.9	-	-	41.7	-	-	88									
96	-	-	-	51.3	-	-	47.9	-	-	41.3	-	-	96									
104	-	-	-	-	-	-	44.9	-	-	40.9	-	-	104									
112	-	46.6	-	-	44.2	-	41.0	-	-	39.4	-	-	112									
120	-	-	-	-	42.5	-	-	-	-	37.6	-	-	120									
128	-	-	-	-	-	-	-	38.1	-	34.8	35.3	-	128									
136	-	-	-	-	-	-	-	36.1	-	31.3	33.5	-	136									
144	-	-	-	-	-	-	-	34.3	-	-	31.8	-	144									
152	-	-	-	-	-	-	-	-	-	-	30.2	-	152									
160	-	-	-	-	-	-	-	-	23.2	-	29.0	-	160									
168	-	-	-	-	-	-	-	-	-	-	-	20.2	168									
176	-	-	-	-	-	-	-	-	-	-	-	19.1	176									

147.6 ft													167.3 ft			187.0 ft			206.7 ft			
84° 73° 65°													84° 73° 65°			84° 73° 65°			84° 73° 65°			
ft													1,000 lb									ft
72	35.7	-	-	-	-	-	-	-	-	-	-	-	72									
80	35.2	-	-	27.6	-	-	22.0	-	-	-	-	-	80									
88	34.9	-	-	27.6	-	-	21.8	-	-	15.9	-	-	88									
96	34.3	-	-	27.6	-	-	21.8	-	-	15.7	-	-	96									
104	34.0	-	-	27.6	-	-	21.8	-	-	15.7	-	-	104									
112	33.7	-	-	27.3	-	-	21.8	-	-	15.7	-	-	112									
120	33.2	-	-	27.1	-	-	21.5	-	-	15.7	-	-	120									
128	32.6	-	-	26.8	-	-	21.3	-	-	15.7	-	-	128									
136	32.1	-	-	26.5	-	-	21.0	-	-	15.7	-	-	136									
144	29.9	29.4	-	26.5	-	-	20.7	-	-	15.7	-	-	144									
152	27.1	28.0	-	26.1	23.0	-	20.7	-	-	15.7	-	-	152									
160	-	26.7	-	24.6	21.9	-	20.5	19.9	-	15.7	-	-	160									
168	-	25.5	-	22.9	20.9	-	20.1	19.2	-	15.7	15.7	-	168									
176	-	24.4	17.8	20.6	20.0	-	18.9	18.4	-	15.7	15.7	-	176									
184	-	-	16.9	-	18.9	-	17.6	17.6	-	15.7	15.4	-	184									
192	-	-	15.9	-	18.2	14.2	16.0	16.8	-	15.5	14.9	-	192									
200	-	-	15.1	-	17.5	13.4	-	16.1	-	14.9	14.2	-	200									
208	-	-	-	-	-	12.5	-	15.4	11.7	13.8	13.6	-	208									
216	-	-	-	-	-	11.9	-	14.8	11.1	12.2	13.0	9.7	216									
224	-	-	-	-	-	-	-	-	10.3	-	12.5	9.0	224									
232	-	-	-	-	-	-	-	-	9.8	-	12.0	8.4	232									
240	-	-	-	-	-	-	-	-	9.2	-	11.6	7.9	240									
248	-	-	-	-	-	-	-	-	-	-	-	7.5	248									
256	-	-	-	-	-	-	-	-	-	-	-	7.0	256									

- 132,300 lb
- 154,350 lb
- 176,400 lb
- 198,400 lb
- 220,500 lb
- 242,500 lb
- 264,600 lb
- 286,600 lb
- 308,600 lb
- 330,700 lb

19.7 ft (XL)										360°			ASME B30.5						
147.0 ft										226.4 ft			246.1 ft			265.7 ft			
										84°			73°			65°			
ft										1,000 lb									ft
96	16.2	-	-	12.3	-	-	-	-	-	96									
104	15.9	-	-	12.1	-	-	9.0	-	-	104									
112	15.6	-	-	12.1	-	-	8.8	-	-	112									
120	15.4	-	-	12.1	-	-	8.8	-	-	120									
128	15.1	-	-	12.0	-	-	8.8	-	-	128									
136	15.0	-	-	11.7	-	-	8.8	-	-	136									
144	14.8	-	-	11.5	-	-	8.8	-	-	144									
152	14.5	-	-	11.4	-	-	8.8	-	-	152									
160	14.3	-	-	11.2	-	-	8.8	-	-	160									
168	14.2	-	-	11.0	-	-	8.8	-	-	168									
176	14.1	13.7	-	10.8	-	-	8.8	-	-	176									
184	13.9	13.4	-	10.8	10.4	-	8.6	-	-	184									
192	13.8	13.1	-	10.6	10.3	-	8.6	-	-	192									
200	13.6	12.7	-	10.5	10.0	-	8.4	8.2	-	200									
208	13.3	12.4	-	10.4	9.8	-	8.4	8.0	-	208									
216	13.0	11.9	-	10.2	9.7	-	8.2	7.9	-	216									
224	12.2	11.4	-	10.1	9.4	-	8.1	7.7	-	224									
232	10.6	10.9	7.8	10.1	8.9	-	7.9	7.4	-	232									
240	-	10.5	7.2	9.5	8.5	5.5	7.9	7.1	-	240									
248	-	10.1	6.8	8.5	8.1	5.0	7.8	7.0	-	248									
256	-	9.7	6.4	-	7.7	4.6	7.5	6.6	-	256									
264	-	-	5.9	-	7.3	-	7.0	6.2	-	264									
272	-	-	5.6	-	7.0	-	6.0	5.9	-	272									
280	-	-	5.2	-	6.7	-	-	5.6	-	280									
288	-	-	-	-	-	-	-	5.3	-	288									
296	-	-	-	-	-	-	-	5.0	-	296									

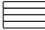
132,300 lb 154,350 lb 176,400 lb 198,400 lb 220,500 lb 242,500 lb 264,600 lb 286,600 lb 308,600 lb 330,700 lb

19.7 ft (XL)		360°												ASME B30.5	
163.4 ft															
		78.7 ft			88.6 ft			108.3 ft			128.0 ft				
		84°	73°	65°	84°	73°	65°	84°	73°	65°	84°	73°	65°		
ft	1,000 lb												ft		
64	58.3	-	-	-	-	-	-	-	-	-	-	-	-	64	
72	57.6	-	-	-	50.9	-	-	-	-	-	34.6	-	-	72	
80	56.9	-	-	-	50.4	-	-	42.1	-	-	34.6	-	-	80	
88	-	-	-	-	49.8	-	-	41.7	-	-	34.5	-	-	88	
96	-	-	-	-	49.0	-	-	41.3	-	-	34.3	-	-	96	
104	-	-	-	-	-	-	-	40.9	-	-	34.0	-	-	104	
112	-	-	-	-	-	-	-	40.5	-	-	33.7	-	-	112	
120	-	-	-	-	-	-	-	-	-	-	33.4	-	-	120	
128	-	-	-	-	-	32.9	-	-	-	-	33.2	-	-	128	
136	-	-	-	-	-	-	-	-	29.0	-	32.7	24.1	-	136	
144	-	-	-	-	-	-	-	-	27.6	-	-	22.8	-	144	
152	-	-	-	-	-	-	-	-	-	-	-	21.7	-	152	
160	-	-	-	-	-	-	-	-	-	-	-	20.6	-	160	
168	-	-	-	-	-	-	-	-	-	-	-	19.5	-	168	
176	-	-	-	-	-	-	-	-	-	-	-	-	14.3	176	
184	-	-	-	-	-	-	-	-	-	-	-	-	13.4	184	

		147.6 ft			167.3 ft			187.0 ft			206.7 ft				
		84°	73°	65°	84°	73°	65°	84°	73°	65°	84°	73°	65°		
ft	1,000 lb												ft		
80	26.7	-	-	-	19.6	-	-	-	-	-	-	-	-	80	
88	26.7	-	-	-	19.6	-	-	15.0	-	-	-	-	-	88	
96	26.7	-	-	-	19.6	-	-	15.0	-	-	12.3	-	-	96	
104	26.7	-	-	-	19.6	-	-	15.0	-	-	12.3	-	-	104	
112	26.7	-	-	-	19.6	-	-	15.0	-	-	12.3	-	-	112	
120	26.7	-	-	-	19.6	-	-	15.0	-	-	12.3	-	-	120	
128	26.7	-	-	-	19.6	-	-	15.0	-	-	12.3	-	-	128	
136	26.7	-	-	-	19.6	-	-	15.0	-	-	12.3	-	-	136	
144	26.7	-	-	-	19.6	-	-	15.0	-	-	12.3	-	-	144	
152	26.7	19.7	-	-	19.6	-	-	15.0	-	-	12.3	-	-	152	
160	-	18.7	-	-	19.6	16.5	-	15.0	-	-	12.3	-	-	160	
168	-	17.9	-	-	19.6	15.7	-	15.0	14.3	-	12.3	-	-	168	
176	-	16.9	-	-	19.6	14.9	-	15.0	13.6	-	12.3	-	-	176	
184	-	16.1	-	-	-	14.1	-	15.0	12.8	-	12.3	11.0	-	184	
192	-	-	11.3	-	-	13.3	-	15.0	12.2	-	12.3	10.5	-	192	
200	-	-	10.7	-	-	12.8	-	-	11.5	-	12.3	9.9	-	200	
208	-	-	10.1	-	-	12.3	8.3	-	10.9	-	12.3	9.4	-	208	
216	-	-	-	-	-	-	7.8	-	10.4	6.9	12.3	8.9	-	216	
224	-	-	-	-	-	-	7.2	-	9.9	6.3	-	8.3	-	224	
232	-	-	-	-	-	-	-	-	-	5.8	-	7.9	-	232	
240	-	-	-	-	-	-	-	-	-	5.4	-	7.6	-	240	
248	-	-	-	-	-	-	-	-	-	5.1	-	7.1	-	248	

- 132,300 lb
- 154,350 lb
- 176,400 lb
- 198,400 lb
- 220,500 lb
- 242,500 lb
- 264,600 lb
- 286,600 lb
- 308,600 lb
- 330,700 lb

		19.7 ft (XL)			360°			ASME B30.5		
		163.4 ft								
		226.4 ft			246.1 ft					
		84°	73°	65°	84°	73°	65°			
ft	1,000 lb									ft
96	11.9	-	-	-	-	-	-	96		
104	11.9	-	-	7.5	-	-	104			
112	11.9	-	-	7.5	-	-	112			
120	11.9	-	-	7.5	-	-	120			
128	11.9	-	-	7.5	-	-	128			
136	11.9	-	-	7.5	-	-	136			
144	11.9	-	-	7.5	-	-	144			
152	11.7	-	-	7.5	-	-	152			
160	11.6	-	-	7.5	-	-	160			
168	11.5	-	-	7.5	-	-	168			
176	11.3	-	-	7.5	-	-	176			
184	11.2	-	-	7.5	-	-	184			
192	11.0	9.4	-	7.5	-	-	192			
200	11.0	8.9	-	7.5	6.9	-	200			
208	10.9	8.5	-	7.5	6.5	-	208			
216	10.8	8.0	-	7.5	6.0	-	216			
224	10.8	7.5	-	7.5	5.7	-	224			
232	10.8	7.1	-	7.5	5.2	-	232			
240	-	6.7	-	7.5	4.8	-	240			
248	-	6.4	-	7.5	4.5	-	248			
256	-	5.9	-	-	-	-	256			
264	-	5.7	-	-	-	-	264			


132,300 lb
154,350 lb
176,400 lb
198,400 lb
220,500 lb
242,500 lb
264,600 lb
286,600 lb
308,600 lb
330,700 lb

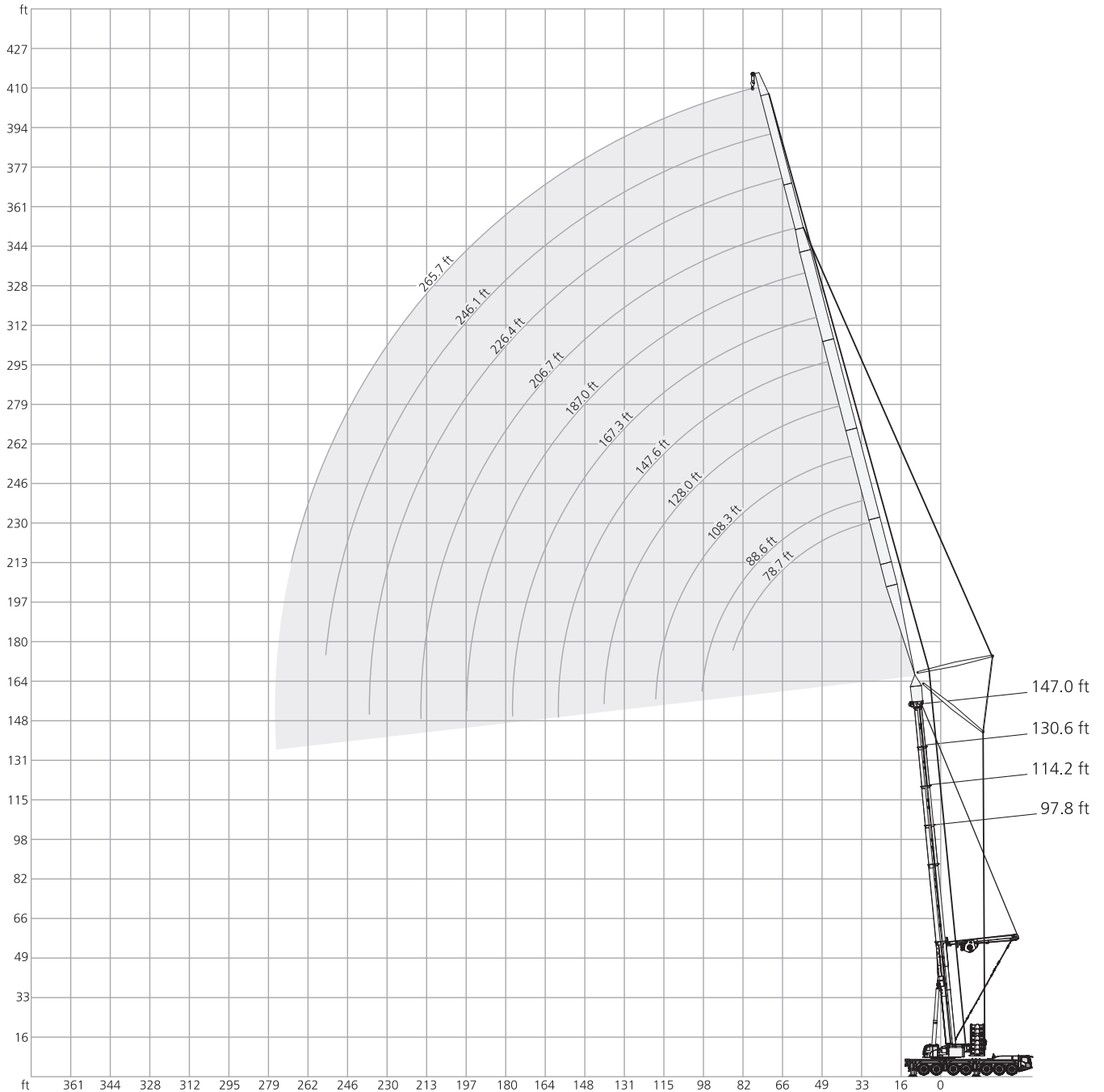
19.7 ft (XL)													360°			ASME B30.5								
179.8 ft																								
78.7 ft													88.6 ft			108.3 ft			128.0 ft					
84° 73° 65°													84° 73° 65°			84° 73° 65°			84° 73° 65°					
ft													1,000 lb									ft		
72	44.8	-	-	-	-	-	-	-	-	-	-	23.6	-	-	72									
80	44.2	-	-	40.0	-	-	31.3	-	-	23.6	-	-	-	-	80									
88	43.4	-	-	39.5	-	-	31.3	-	-	23.6	-	-	-	-	88									
96	-	-	-	38.8	-	-	31.3	-	-	23.6	-	-	-	-	96									
104	-	-	-	-	-	-	31.3	-	-	23.6	-	-	-	-	104									
112	-	-	-	-	-	-	31.3	-	-	23.6	-	-	-	-	112									
120	-	-	-	-	-	-	-	-	-	23.6	-	-	-	-	120									
128	-	-	-	-	22.3	-	-	-	-	23.6	-	-	-	-	128									
136	-	-	-	-	21.9	-	-	-	-	23.3	-	-	-	-	136									
144	-	-	-	-	-	-	-	18.7	-	-	-	-	-	-	144									
152	-	-	-	-	-	-	-	18.2	-	-	16.2	-	-	-	152									
160	-	-	-	-	-	-	-	-	-	-	15.2	-	-	-	160									
168	-	-	-	-	-	-	-	-	-	-	14.4	-	-	-	168									
176	-	-	-	-	-	-	-	-	-	-	13.7	-	-	-	176									
184	-	-	-	-	-	-	-	-	-	-	-	-	-	-	184									
192	-	-	-	-	-	-	-	-	-	-	-	-	8.7	-	192									

147.6 ft													167.3 ft			187.0 ft			206.7 ft					
84° 73° 65°													84° 73° 65°			84° 73° 65°			84° 73° 65°					
ft													1,000 lb									ft		
80	17.4	-	-	-	-	-	-	-	-	-	-	-	-	-	80									
88	17.4	-	-	11.7	-	-	7.9	-	-	-	-	-	-	-	88									
96	17.4	-	-	11.7	-	-	7.9	-	-	9.0	-	-	-	-	96									
104	17.4	-	-	11.7	-	-	7.9	-	-	9.0	-	-	-	-	104									
112	17.4	-	-	11.7	-	-	7.9	-	-	9.0	-	-	-	-	112									
120	17.4	-	-	11.7	-	-	7.9	-	-	9.0	-	-	-	-	120									
128	17.4	-	-	11.7	-	-	7.9	-	-	9.0	-	-	-	-	128									
136	17.4	-	-	11.7	-	-	7.9	-	-	9.0	-	-	-	-	136									
144	17.4	-	-	11.7	-	-	7.9	-	-	9.0	-	-	-	-	144									
152	17.4	-	-	11.7	-	-	7.9	-	-	9.0	-	-	-	-	152									
160	-	13.6	-	11.7	-	-	7.9	-	-	9.0	-	-	-	-	160									
168	-	12.8	-	11.7	10.8	-	7.9	-	-	9.0	-	-	-	-	168									
176	-	12.0	-	11.7	10.0	-	7.9	-	-	9.0	-	-	-	-	176									
184	-	11.4	-	-	9.5	-	7.9	7.9	-	9.0	-	-	-	-	184									
192	-	10.9	-	-	8.9	-	7.9	7.8	-	9.0	6.3	-	-	-	192									
200	-	-	-	-	8.4	-	-	7.3	-	9.0	5.7	-	-	-	200									
208	-	-	6.3	-	7.8	-	-	6.7	-	9.0	5.4	-	-	-	208									
216	-	-	5.8	-	7.5	-	-	6.4	-	9.0	4.9	-	-	-	216									
224	-	-	-	-	-	-	-	5.9	-	-	-	-	-	-	224									
232	-	-	-	-	-	-	-	5.7	-	-	-	-	-	-	232									

- 132,300 lb
- 154,350 lb
- 176,400 lb
- 198,400 lb
- 220,500 lb
- 242,500 lb
- 264,600 lb
- 286,600 lb
- 308,600 lb
- 330,700 lb

19.7 ft (XL)		360°			ASME B30.5	
179.8 ft						
226.4 ft		84° 73° 65°				
ft	1,000 lb			ft		
104	6.2	-	-	104		
112	6.2	-	-	112		
120	6.2	-	-	120		
128	6.2	-	-	128		
136	6.2	-	-	136		
144	6.2	-	-	144		
152	6.2	-	-	152		
160	6.2	-	-	160		
168	6.2	-	-	168		
176	6.2	-	-	176		
184	6.2	-	-	184		
192	6.2	-	-	192		
200	6.2	-	-	200		
208	6.2	-	-	208		
216	6.2	-	-	216		
224	6.2	-	-	224		
232	6.2	-	-	232		


132,300 lb
154,350 lb
176,400 lb
198,400 lb
220,500 lb
242,500 lb
264,600 lb
286,600 lb
308,600 lb
330,700 lb



		19.7 ft (XL)									360°									ASME B30.5		
		78.7 ft			88.6 ft			108.3 ft			128.0 ft											
		84°	73°	65°	84°	73°	65°	84°	73°	65°	84°	73°	65°									
ft		1,000 lb												ft								
48		131.0	-	-	-	-	-	-	-	-	-	-	-	-	48							
56		128.5	-	-	114.1	-	-	92.1	-	-	75.1	-	-	-	56							
64		122.0	-	-	112.0	-	-	90.1	-	-	73.3	-	-	-	64							
72		111.6	-	-	107.5	-	-	88.4	-	-	71.7	-	-	-	72							
80		-	-	-	100.7	-	-	86.8	-	-	70.6	-	-	-	80							
88		-	87.4	-	89.6	85.3	-	85.2	-	-	69.5	-	-	-	88							
96		-	80.3	-	-	79.6	-	80.1	-	-	68.4	-	-	-	96							
104		-	74.1	-	-	73.5	-	71.6	72.2	-	67.4	60.5	-	-	104							
112		-	-	61.9	-	-	61.3	-	67.4	-	64.5	59.5	-	-	112							
120		-	-	-	-	-	57.1	-	62.7	-	58.6	58.8	-	-	120							
128		-	-	-	-	-	-	-	58.6	52.3	52.9	57.5	51.3	-	128							
136		-	-	-	-	-	-	-	-	49.2	-	53.9	47.9	-	136							
144		-	-	-	-	-	-	-	-	46.2	-	50.6	44.9	-	144							
152		-	-	-	-	-	-	-	-	-	-	-	42.2	-	152							
160		-	-	-	-	-	-	-	-	-	-	-	39.9	-	160							

		147.6 ft			167.3 ft			187.0 ft			206.7 ft				
		84°	73°	65°	84°	73°	65°	84°	73°	65°	84°	73°	65°		
ft		1,000 lb												ft	
56		61.7	-	-	-	-	-	-	-	-	-	-	-	-	56
64		60.5	-	-	48.4	-	-	-	-	-	-	-	-	-	64
72		59.1	-	-	47.6	-	-	40.1	-	-	-	-	-	-	72
80		57.8	-	-	46.6	-	-	39.4	-	-	32.1	-	-	-	80
88		56.8	-	-	45.8	-	-	38.8	-	-	31.6	-	-	-	88
96		56.0	-	-	45.0	-	-	38.2	-	-	31.0	-	-	-	96
104		55.4	-	-	44.2	-	-	37.5	-	-	30.7	-	-	-	104
112		54.9	48.5	-	43.4	-	-	37.0	-	-	30.2	-	-	-	112
120		54.1	47.6	-	42.9	39.3	-	36.5	-	-	29.9	-	-	-	120
128		51.9	47.0	-	42.3	38.6	-	36.0	33.0	-	29.3	-	-	-	128
136		48.4	46.6	-	41.6	37.9	-	35.8	32.3	-	28.9	26.8	-	-	136
144		44.5	46.3	43.5	40.6	37.5	-	35.5	31.8	-	28.7	26.3	-	-	144
152		-	46.0	41.1	39.2	37.0	35.2	35.2	31.5	-	28.4	25.7	-	-	152
160		-	44.0	38.8	37.0	37.0	34.7	34.4	31.0	-	28.1	25.3	-	-	160
168		-	41.7	36.6	34.2	37.0	34.3	33.6	30.9	29.3	27.6	25.0	-	-	168
176		-	-	34.7	-	37.0	33.4	32.0	30.9	28.7	27.0	24.7	22.3	-	176
184		-	-	-	-	36.1	31.7	29.7	30.9	28.4	26.4	24.5	22.0	-	184
192		-	-	-	-	-	29.9	-	30.9	28.3	25.3	24.5	21.8	-	192
200		-	-	-	-	-	28.2	-	30.7	27.5	23.7	24.5	21.5	-	200
208		-	-	-	-	-	-	-	29.3	26.0	21.7	24.5	21.4	-	208
216		-	-	-	-	-	-	-	-	24.6	-	24.5	21.4	-	216
224		-	-	-	-	-	-	-	-	-	-	24.4	21.4	-	224
232		-	-	-	-	-	-	-	-	-	-	-	21.1	-	232
240		-	-	-	-	-	-	-	-	-	-	-	20.2	-	240

- 132,300 lb
- 154,350 lb
- 176,400 lb
- 198,400 lb
- 220,500 lb
- 242,500 lb
- 264,600 lb
- 286,600 lb
- 308,600 lb
- 330,700 lb

19.7 ft (XL)				360°						ASME B30.5							
97.8 ft																	
226.4 ft																	
246.1 ft																	
265.7 ft																	
84°			73°			65°			84°			73°			65°		
1,000 lb																	
ft											ft						
80	27.3	-	-	-	-	-	-	-	-	-	80						
88	26.7	-	-	21.2	-	-	-	-	-	-	88						
96	26.3	-	-	20.7	-	-	-	17.6	-	-	96						
104	25.9	-	-	20.3	-	-	-	17.2	-	-	104						
112	25.6	-	-	20.0	-	-	-	17.0	-	-	112						
120	25.2	-	-	19.6	-	-	-	16.6	-	-	120						
128	24.8	-	-	19.2	-	-	-	16.2	-	-	128						
136	24.5	-	-	18.8	-	-	-	15.9	-	-	136						
144	24.5	-	-	18.5	-	-	-	15.7	-	-	144						
152	24.0	20.9	-	18.3	16.9	-	-	15.4	-	-	152						
160	23.3	20.6	-	17.9	16.6	-	-	15.1	-	-	160						
168	22.7	20.4	-	17.5	16.2	-	-	14.9	13.8	-	168						
176	22.1	20.1	-	17.2	15.9	-	-	14.6	13.5	-	176						
184	21.6	19.8	-	16.7	15.6	-	-	14.3	13.2	-	184						
192	20.8	19.6	18.7	16.5	15.4	-	-	14.1	12.9	-	192						
200	20.3	19.5	18.4	16.1	15.3	14.7	-	13.8	12.7	-	200						
208	19.6	19.4	18.1	15.6	15.1	14.4	-	13.5	12.6	-	208						
216	19.0	19.2	18.1	15.2	15.0	14.1	-	13.2	12.4	11.7	216						
224	17.8	19.1	17.9	14.7	14.7	13.9	-	12.9	12.3	11.7	224						
232	-	18.6	17.9	14.4	14.5	13.8	-	12.5	12.1	11.4	232						
240	-	18.2	17.9	13.9	14.2	13.7	-	12.2	12.1	11.3	240						
248	-	17.9	17.9	13.5	14.0	13.7	-	12.0	12.1	11.2	248						
256	-	-	17.4	-	13.7	13.7	-	11.7	12.1	11.0	256						
264	-	-	-	-	13.5	13.5	-	10.8	11.9	11.0	264						
272	-	-	-	-	-	13.4	-	-	11.6	11.0	272						
280	-	-	-	-	-	13.3	-	-	11.5	11.0	280						
288	-	-	-	-	-	-	-	-	11.3	11.0	288						
296	-	-	-	-	-	-	-	-	-	11.0	296						


132,300 lb
154,350 lb
176,400 lb
198,400 lb
220,500 lb
242,500 lb
264,600 lb
286,600 lb
308,600 lb
330,700 lb

19.7 ft (XL)													360°			ASME B30.5						
114.2 ft																						
78.7 ft													88.6 ft			108.3 ft			128.0 ft			
84° 73° 65°													84° 73° 65°			84° 73° 65°			84° 73° 65°			
ft													1,000 lb									ft
56	121.6	-	-	109.9	-	-	-	-	-	-	-	72.9	-	-	56							
64	115.9	-	-	108.1	-	-	87.2	-	-	-	-	71.3	-	-	64							
72	107.5	-	-	104.4	-	-	85.8	-	-	-	-	69.9	-	-	72							
80	98.0	-	-	97.7	-	-	84.4	-	-	-	-	68.6	-	-	80							
88	-	82.6	-	90.0	-	-	82.7	-	-	-	-	67.6	-	-	88							
96	-	77.6	-	-	76.9	-	80.0	-	-	-	-	67.0	-	-	96							
104	-	71.5	-	-	71.0	-	74.4	-	-	-	-	66.4	-	-	104							
112	-	-	58.6	-	65.7	-	-	65.0	-	-	-	65.7	57.3	-	112							
120	-	-	54.5	-	-	53.8	-	60.5	-	-	-	60.8	56.5	-	120							
128	-	-	-	-	-	50.2	-	56.5	-	-	-	55.3	55.0	-	128							
136	-	-	-	-	-	-	-	53.1	-	46.4	-	-	51.9	44.7	136							
144	-	-	-	-	-	-	-	-	-	43.3	-	-	48.6	42.2	144							
152	-	-	-	-	-	-	-	-	-	-	-	-	45.7	39.6	152							
160	-	-	-	-	-	-	-	-	-	-	-	-	-	37.4	160							
168	-	-	-	-	-	-	-	-	-	-	-	-	-	35.2	168							

147.6 ft													167.3 ft			187.0 ft			206.7 ft			
84° 73° 65°													84° 73° 65°			84° 73° 65°			84° 73° 65°			
ft													1,000 lb									ft
64	58.8	-	-	-	-	-	-	-	-	-	-	-	-	-	64							
72	57.8	-	-	46.3	-	-	38.6	-	-	-	-	-	-	-	72							
80	56.5	-	-	45.7	-	-	38.3	-	-	-	-	31.0	-	-	80							
88	55.5	-	-	44.7	-	-	37.8	-	-	-	-	30.6	-	-	88							
96	54.7	-	-	43.9	-	-	37.4	-	-	-	-	30.1	-	-	96							
104	53.9	-	-	43.3	-	-	36.9	-	-	-	-	29.8	-	-	104							
112	53.6	46.7	-	42.7	-	-	36.3	-	-	-	-	29.5	-	-	112							
120	53.2	45.9	-	42.0	-	-	35.8	-	-	-	-	29.3	-	-	120							
128	52.0	45.3	-	41.4	37.3	-	35.3	-	-	-	-	28.9	-	-	128							
136	49.4	44.8	-	40.9	36.7	-	35.1	31.2	-	-	-	28.3	-	-	136							
144	46.0	44.5	-	40.2	36.2	-	34.8	30.7	-	-	-	28.0	23.8	-	144							
152	-	44.1	38.5	39.1	35.9	-	34.5	30.4	-	-	-	28.0	23.6	-	152							
160	-	42.2	36.1	37.8	35.5	-	33.9	29.9	-	-	-	27.7	23.2	-	160							
168	-	39.9	34.1	35.3	35.5	32.8	33.1	29.8	-	-	-	27.3	22.8	-	168							
176	-	37.8	32.2	-	35.5	31.1	31.8	29.6	27.9	-	-	26.8	22.5	-	176							
184	-	-	30.4	-	34.8	29.3	30.1	29.5	27.5	-	-	26.0	22.5	21.4	184							
192	-	-	-	-	32.9	27.7	-	29.5	26.8	-	-	25.1	22.3	20.9	192							
200	-	-	-	-	-	26.1	-	29.5	25.3	-	-	23.7	22.3	20.7	200							
208	-	-	-	-	-	24.8	-	28.8	23.9	-	-	22.2	22.3	20.6	208							
216	-	-	-	-	-	-	-	27.4	22.6	-	-	-	22.3	20.5	216							
224	-	-	-	-	-	-	-	-	21.5	-	-	-	22.0	20.4	224							
232	-	-	-	-	-	-	-	-	-	-	-	-	21.8	19.3	232							
240	-	-	-	-	-	-	-	-	-	-	-	-	-	18.2	240							
248	-	-	-	-	-	-	-	-	-	-	-	-	-	17.3	248							

132,300 lb 154,350 lb 176,400 lb 198,400 lb 220,500 lb 242,500 lb 264,600 lb 286,600 lb 308,600 lb 330,700 lb

19.7 ft (XL)				360°						ASME B30.5							
114.2 ft																	
226.4 ft																	
246.1 ft																	
265.7 ft																	
84°			73°			65°			84°			73°			65°		
1,000 lb																	
ft											ft						
88	25.8	-	-	20.5	-	-	-	-	-	-	88						
96	25.4	-	-	20.2	-	-	17.1	-	-	-	96						
104	25.2	-	-	19.9	-	-	16.8	-	-	-	104						
112	24.7	-	-	19.6	-	-	16.5	-	-	-	112						
120	24.4	-	-	19.3	-	-	16.3	-	-	-	120						
128	24.3	-	-	18.8	-	-	16.0	-	-	-	128						
136	24.1	-	-	18.6	-	-	15.7	-	-	-	136						
144	23.8	-	-	18.3	-	-	15.4	-	-	-	144						
152	23.5	20.0	-	18.0	-	-	15.2	-	-	-	152						
160	23.0	19.8	-	17.6	16.0	-	14.9	-	-	-	160						
168	22.6	19.5	-	17.3	15.7	-	14.6	13.2	-	-	168						
176	22.1	19.4	-	17.0	15.5	-	14.4	13.0	-	-	176						
184	21.6	19.2	-	16.5	15.2	-	14.3	12.8	-	-	184						
192	20.8	19.0	-	16.3	14.9	-	14.1	12.5	-	-	192						
200	20.3	18.9	17.8	15.9	14.8	-	13.8	12.2	-	-	200						
208	19.8	18.7	17.5	15.5	14.6	13.9	13.5	12.1	-	-	208						
216	19.2	18.7	17.4	15.0	14.6	13.7	13.2	11.9	-	-	216						
224	18.3	18.7	17.2	14.5	14.3	13.4	12.9	11.9	11.2	-	224						
232	-	18.7	17.2	14.2	14.1	13.2	12.5	11.7	11.0	-	232						
240	-	18.4	17.2	13.8	13.9	13.2	12.2	11.7	10.8	-	240						
248	-	18.1	16.6	13.3	13.7	13.1	12.0	11.7	10.7	-	248						
256	-	-	15.6	-	13.4	13.0	11.7	11.7	10.6	-	256						
264	-	-	14.8	-	13.2	13.0	11.0	11.7	10.6	-	264						
272	-	-	-	-	13.0	12.9	-	11.6	10.6	-	272						
280	-	-	-	-	-	12.5	-	11.5	10.6	-	280						
288	-	-	-	-	-	11.8	-	11.3	10.5	-	288						
296	-	-	-	-	-	-	-	-	10.3	-	296						
304	-	-	-	-	-	-	-	-	9.6	-	304						


132,300 lb
154,350 lb
176,400 lb
198,400 lb
220,500 lb
242,500 lb
264,600 lb
286,600 lb
308,600 lb
330,700 lb

		19.7 ft (XL)									360°			ASME B30.5		
		78.7 ft			88.6 ft			108.3 ft			128.0 ft					
		84°	73°	65°	84°	73°	65°	84°	73°	65°	84°	73°	65°			
ft		1,000 lb												ft		
56		116.5	-	-	104.7	-	-	-	-	-	69.9	-	-	56		
64		110.5	-	-	102.5	-	-	83.7	-	-	68.4	-	-	64		
72		102.9	-	-	100.1	-	-	82.0	-	-	67.1	-	-	72		
80		96.6	-	-	93.4	-	-	80.9	-	-	66.0	-	-	80		
88		-	-	-	87.3	-	-	79.0	-	-	65.0	-	-	88		
96		-	74.9	-	-	-	-	76.2	-	-	64.2	-	-	96		
104		-	69.0	-	-	68.4	-	72.2	-	-	63.6	-	-	104		
112		-	-	-	-	63.5	-	-	62.6	-	62.8	54.2	-	112		
120		-	-	51.4	-	-	-	-	58.4	-	60.8	53.4	-	120		
128		-	-	48.0	-	-	47.4	-	54.4	-	57.0	52.5	-	128		
136		-	-	-	-	-	44.3	-	51.0	-	-	49.9	-	136		
144		-	-	-	-	-	-	-	-	40.7	-	46.9	-	144		
152		-	-	-	-	-	-	-	-	38.3	-	44.0	37.2	152		
160		-	-	-	-	-	-	-	-	-	-	-	34.8	160		
168		-	-	-	-	-	-	-	-	-	-	-	32.8	168		
176		-	-	-	-	-	-	-	-	-	-	-	30.9	176		

		147.6 ft			167.3 ft			187.0 ft			206.7 ft				
		84°	73°	65°	84°	73°	65°	84°	73°	65°	84°	73°	65°		
ft		1,000 lb												ft	
64		56.1	-	-	-	-	-	-	-	-	-	-	-	64	
72		55.6	-	-	44.1	-	-	-	-	-	-	-	-	72	
80		54.5	-	-	43.8	-	-	36.5	-	-	29.5	-	-	80	
88		53.5	-	-	43.2	-	-	36.3	-	-	29.2	-	-	88	
96		52.7	-	-	42.6	-	-	36.0	-	-	29.0	-	-	96	
104		52.1	-	-	42.0	-	-	35.6	-	-	28.7	-	-	104	
112		51.6	-	-	41.2	-	-	35.0	-	-	28.4	-	-	112	
120		51.3	43.5	-	40.7	-	-	34.5	-	-	28.2	-	-	120	
128		51.1	43.0	-	40.3	35.3	-	34.2	-	-	27.9	-	-	128	
136		49.7	42.4	-	40.0	34.7	-	33.8	-	-	27.6	-	-	136	
144		47.5	42.1	-	39.5	34.4	-	33.7	29.1	-	27.1	-	-	144	
152		-	41.8	-	38.7	33.9	-	33.5	28.8	-	27.1	22.5	-	152	
160		-	40.5	33.7	37.6	33.6	-	33.3	28.5	-	26.8	22.1	-	160	
168		-	38.2	31.7	36.1	33.5	30.7	32.5	28.2	-	26.7	21.7	-	168	
176		-	36.2	29.8	-	33.5	28.7	31.5	28.0	-	26.1	21.4	-	176	
184		-	-	28.0	-	33.2	27.1	29.9	28.0	24.7	25.5	21.4	-	184	
192		-	-	26.6	-	31.4	25.4	-	28.0	24.2	24.7	21.2	20.0	192	
200		-	-	-	-	-	23.9	-	28.0	23.1	23.6	21.2	19.7	200	
208		-	-	-	-	-	22.6	-	27.4	21.7	22.4	21.2	19.5	208	
216		-	-	-	-	-	21.5	-	26.1	20.6	-	21.2	19.4	216	
224		-	-	-	-	-	-	-	-	19.5	-	21.2	18.4	224	
232		-	-	-	-	-	-	-	-	18.4	-	21.1	17.3	232	
240		-	-	-	-	-	-	-	-	-	-	-	16.4	240	
248		-	-	-	-	-	-	-	-	-	-	-	15.5	248	

- 132,300 lb
- 154,350 lb
- 176,400 lb
- 198,400 lb
- 220,500 lb
- 242,500 lb
- 264,600 lb
- 286,600 lb
- 308,600 lb
- 330,700 lb

19.7 ft (XL)				360°						ASME B30.5							
130.6 ft																	
226.4 ft																	
246.1 ft																	
265.7 ft																	
84°			73°			65°			84°			73°			65°		
1,000 lb																	
ft											ft						
88	24.2	-	-	-	-	-	-	-	-	-	88						
96	23.9	-	-	19.6	-	-	16.3	-	-	-	96						
104	23.6	-	-	19.2	-	-	16.1	-	-	-	104						
112	23.4	-	-	18.9	-	-	15.9	-	-	-	112						
120	23.1	-	-	18.7	-	-	15.7	-	-	-	120						
128	22.8	-	-	18.4	-	-	15.5	-	-	-	128						
136	22.4	-	-	18.1	-	-	15.3	-	-	-	136						
144	22.1	-	-	17.7	-	-	15.0	-	-	-	144						
152	21.8	-	-	17.4	-	-	14.7	-	-	-	152						
160	21.5	18.9	-	17.1	-	-	14.5	-	-	-	160						
168	21.3	18.6	-	16.8	14.9	-	14.2	-	-	-	168						
176	21.0	18.3	-	16.6	14.6	-	13.9	12.2	-	-	176						
184	20.7	18.1	-	16.3	14.3	-	13.9	12.1	-	-	184						
192	20.4	18.0	-	16.0	14.1	-	13.7	11.8	-	-	192						
200	19.9	17.9	-	15.5	14.0	-	13.6	11.6	-	-	200						
208	19.3	17.7	16.6	15.3	13.9	-	13.3	11.5	-	-	208						
216	18.8	17.6	16.3	14.8	13.7	-	13.2	11.3	-	-	216						
224	18.4	17.6	16.3	14.5	13.6	12.8	12.8	11.2	-	-	224						
232	-	17.6	16.0	14.0	13.4	12.5	12.5	11.0	10.3	-	232						
240	-	17.6	15.6	13.8	13.3	12.4	12.2	11.0	10.2	-	240						
248	-	17.6	14.8	13.3	13.2	12.3	12.0	11.0	10.1	-	248						
256	-	-	13.9	-	13.0	12.3	11.7	11.0	9.9	-	256						
264	-	-	13.2	-	12.7	12.1	11.1	11.0	9.8	-	264						
272	-	-	12.5	-	12.6	11.6	-	11.0	9.7	-	272						
280	-	-	-	-	-	10.8	-	11.0	9.7	-	280						
288	-	-	-	-	-	10.2	-	11.0	9.3	-	288						
296	-	-	-	-	-	-	-	-	8.8	-	296						
304	-	-	-	-	-	-	-	-	8.2	-	304						
312	-	-	-	-	-	-	-	-	7.7	-	312						

-  132,300 lb
-  154,350 lb
-  176,400 lb
-  198,400 lb
-  220,500 lb
-  242,500 lb
-  264,600 lb
-  286,600 lb
-  308,600 lb
-  330,700 lb

19.7 ft (XL)													360°			ASME B30.5						
147.0 ft																						
78.7 ft													88.6 ft			108.3 ft			128.0 ft			
84° 73° 65°													84° 73° 65°			84° 73° 65°			84° 73° 65°			
ft													1,000 lb									ft
56	111.0	-	-	-	-	-	-	-	-	-	-	-	-	-	-	-	-	-	56			
64	105.1	-	-	-	-	-	-	-	-	-	-	-	-	-	-	-	-	-	64			
72	95.7	-	-	-	-	-	-	-	-	-	-	-	-	-	-	-	-	-	72			
80	87.7	-	-	-	-	-	-	-	-	-	-	-	-	-	-	-	-	-	80			
88	-	-	-	-	-	-	-	-	-	-	-	-	-	-	-	-	-	-	88			
96	-	-	-	-	-	-	-	-	-	-	-	-	-	-	-	-	-	-	96			
104	-	66.8	-	-	-	-	-	-	-	-	-	-	-	-	-	-	-	-	104			
112	-	61.9	-	-	-	-	-	-	-	-	-	-	-	-	-	-	-	-	112			
120	-	-	-	-	-	-	-	-	-	-	-	-	-	-	-	-	-	-	120			
128	-	-	-	39.0	-	-	-	-	-	-	-	-	-	-	-	-	-	-	128			
136	-	-	-	37.9	-	-	-	-	-	-	-	-	-	-	-	-	-	-	136			
144	-	-	-	-	-	-	-	-	-	-	-	-	-	-	-	-	-	-	144			
152	-	-	-	-	-	-	-	-	-	-	-	-	-	-	-	-	-	-	152			
160	-	-	-	-	-	-	-	-	-	-	-	-	-	-	-	-	-	-	160			
168	-	-	-	-	-	-	-	-	-	-	-	-	-	-	-	-	-	-	168			
176	-	-	-	-	-	-	-	-	-	-	-	-	-	-	-	-	-	-	176			

147.6 ft													167.3 ft			187.0 ft			206.7 ft			
84° 73° 65°													84° 73° 65°			84° 73° 65°			84° 73° 65°			
ft													1,000 lb									ft
72	53.6	-	-	-	-	-	-	-	-	-	-	-	-	-	-	-	-	-	72			
80	52.5	-	-	-	-	-	-	-	-	-	-	-	-	-	-	-	-	-	80			
88	51.5	-	-	-	-	-	-	-	-	-	-	-	-	-	-	-	-	-	88			
96	50.7	-	-	-	-	-	-	-	-	-	-	-	-	-	-	-	-	-	96			
104	50.1	-	-	-	-	-	-	-	-	-	-	-	-	-	-	-	-	-	104			
112	49.6	-	-	-	-	-	-	-	-	-	-	-	-	-	-	-	-	-	112			
120	49.1	-	-	-	-	-	-	-	-	-	-	-	-	-	-	-	-	-	120			
128	48.7	40.6	-	-	-	-	-	-	-	-	-	-	-	-	-	-	-	-	128			
136	48.0	39.9	-	-	-	-	-	-	-	-	-	-	-	-	-	-	-	-	136			
144	45.8	39.3	-	-	-	-	-	-	-	-	-	-	-	-	-	-	-	-	144			
152	43.1	38.4	-	-	-	-	-	-	-	-	-	-	-	-	-	-	-	-	152			
160	-	37.4	-	-	-	-	-	-	-	-	-	-	-	-	-	-	-	-	160			
168	-	36.5	29.4	-	-	-	-	-	-	-	-	-	-	-	-	-	-	-	168			
176	-	34.7	27.4	-	-	-	-	-	-	-	-	-	-	-	-	-	-	-	176			
184	-	-	25.7	-	-	-	-	-	-	-	-	-	-	-	-	-	-	-	184			
192	-	-	24.4	-	-	-	-	-	-	-	-	-	-	-	-	-	-	-	192			
200	-	-	23.1	-	-	-	-	-	-	-	-	-	-	-	-	-	-	-	200			
208	-	-	-	-	-	-	-	-	-	-	-	-	-	-	-	-	-	-	208			
216	-	-	-	-	-	-	-	-	-	-	-	-	-	-	-	-	-	-	216			
224	-	-	-	-	-	-	-	-	-	-	-	-	-	-	-	-	-	-	224			
232	-	-	-	-	-	-	-	-	-	-	-	-	-	-	-	-	-	-	232			
240	-	-	-	-	-	-	-	-	-	-	-	-	-	-	-	-	-	-	240			
248	-	-	-	-	-	-	-	-	-	-	-	-	-	-	-	-	-	-	248			
256	-	-	-	-	-	-	-	-	-	-	-	-	-	-	-	-	-	-	256			

- 132,300 lb
- 154,350 lb
- 176,400 lb
- 198,400 lb
- 220,500 lb
- 242,500 lb
- 264,600 lb
- 286,600 lb
- 308,600 lb
- 330,700 lb

19.7 ft (XL)				360°						ASME B30.5							
147.0 ft																	
226.4 ft																	
246.1 ft																	
265.7 ft																	
84°			73°			65°			84°			73°			65°		
1,000 lb																	
ft											ft						
96	23.7	-	-	19.0	-	-	-	-	-	-	96						
104	23.2	-	-	18.8	-	-	15.5	-	-	-	104						
112	22.9	-	-	18.5	-	-	15.4	-	-	-	112						
120	22.4	-	-	18.2	-	-	15.2	-	-	-	120						
128	22.2	-	-	17.7	-	-	15.1	-	-	-	128						
136	21.7	-	-	17.5	-	-	14.8	-	-	-	136						
144	21.4	-	-	17.2	-	-	14.6	-	-	-	144						
152	21.1	-	-	16.9	-	-	14.3	-	-	-	152						
160	20.9	-	-	16.7	-	-	14.0	-	-	-	160						
168	20.7	17.7	-	16.4	-	-	13.9	-	-	-	168						
176	20.5	17.5	-	16.1	13.9	-	13.7	-	-	-	176						
184	20.5	17.2	-	15.9	13.7	-	13.4	11.2	-	-	184						
192	20.2	17.0	-	15.6	13.4	-	13.2	11.2	-	-	192						
200	19.9	16.9	-	15.3	13.2	-	13.1	10.9	-	-	200						
208	19.3	16.8	-	15.1	13.1	-	13.0	10.8	-	-	208						
216	18.8	16.6	15.4	14.6	13.0	-	13.0	10.6	-	-	216						
224	18.5	16.5	15.2	14.3	12.8	-	12.8	10.4	-	-	224						
232	17.8	16.5	14.8	14.0	12.7	11.9	12.5	10.3	-	-	232						
240	-	16.5	13.9	13.5	12.6	11.7	12.2	10.2	9.5	-	240						
248	-	16.5	13.1	13.2	12.6	11.6	12.0	10.1	9.4	-	248						
256	-	16.5	12.3	-	12.6	11.5	11.7	10.1	9.3	-	256						
264	-	-	11.5	-	12.3	10.6	11.3	10.1	9.1	-	264						
272	-	-	10.8	-	12.1	9.9	10.5	10.1	8.9	-	272						
280	-	-	10.3	-	11.9	9.2	-	10.1	8.5	-	280						
288	-	-	-	-	-	8.6	-	10.1	7.9	-	288						
296	-	-	-	-	-	8.1	-	10.1	7.2	-	296						
304	-	-	-	-	-	-	-	-	6.7	-	304						
312	-	-	-	-	-	-	-	-	6.2	-	312						
320	-	-	-	-	-	-	-	-	5.6	-	320						

- 132,300 lb
- 154,350 lb
- 176,400 lb
- 198,400 lb
- 220,500 lb
- 242,500 lb
- 264,600 lb
- 286,600 lb
- 308,600 lb
- 330,700 lb

19.7 ft (XL)													360°			ASME B30.5						
163.4 ft																						
78.7 ft													88.6 ft			108.3 ft			128.0 ft			
84° 73° 65°													84° 73° 65°			84° 73° 65°			84° 73° 65°			
ft													1,000 lb									ft
64	94.0	-	-	-	-	-	-	-	-	-	-	-	-	-	-	-	-	64				
72	88.5	-	-	-	-	-	-	-	-	-	-	-	-	-	-	-	-	72				
80	82.7	-	-	-	-	-	-	-	-	-	-	-	-	-	-	-	-	80				
88	-	-	-	-	-	-	-	-	-	-	-	-	-	-	-	-	-	88				
96	-	-	-	-	-	-	-	-	-	-	-	-	-	-	-	-	-	96				
104	-	-	-	-	-	-	-	-	-	-	-	-	-	-	-	-	-	104				
112	-	57.2	-	-	-	-	-	-	-	-	-	-	-	-	-	-	-	112				
120	-	-	-	-	-	-	-	-	-	-	-	-	-	-	-	-	-	120				
128	-	-	-	-	-	-	-	-	-	-	-	-	-	-	-	-	-	128				
136	-	-	28.5	-	-	-	-	-	-	-	-	-	-	-	-	-	-	136				
144	-	-	27.6	-	-	-	-	-	-	-	-	-	-	-	-	-	-	144				
152	-	-	-	-	-	-	-	-	-	-	-	-	-	-	-	-	-	152				
160	-	-	-	-	-	-	-	-	-	-	-	-	-	-	-	-	-	160				
168	-	-	-	-	-	-	-	-	-	-	-	-	-	-	-	-	-	168				
176	-	-	-	-	-	-	-	-	-	-	-	-	-	-	-	-	-	176				
184	-	-	-	-	-	-	-	-	-	-	-	-	-	-	-	-	-	184				

147.6 ft													167.3 ft			187.0 ft			206.7 ft			
84° 73° 65°													84° 73° 65°			84° 73° 65°			84° 73° 65°			
ft													1,000 lb									ft
80	49.5	-	-	-	-	-	-	-	-	-	-	-	-	-	-	-	-	80				
88	48.7	-	-	-	-	-	-	-	-	-	-	-	-	-	-	-	-	88				
96	47.9	-	-	-	-	-	-	-	-	-	-	-	-	-	-	-	-	96				
104	47.1	-	-	-	-	-	-	-	-	-	-	-	-	-	-	-	-	104				
112	46.3	-	-	-	-	-	-	-	-	-	-	-	-	-	-	-	-	112				
120	45.4	-	-	-	-	-	-	-	-	-	-	-	-	-	-	-	-	120				
128	44.2	-	-	-	-	-	-	-	-	-	-	-	-	-	-	-	-	128				
136	42.9	34.9	-	-	-	-	-	-	-	-	-	-	-	-	-	-	-	136				
144	41.3	33.8	-	-	-	-	-	-	-	-	-	-	-	-	-	-	-	144				
152	39.2	32.7	-	-	-	-	-	-	-	-	-	-	-	-	-	-	-	152				
160	-	31.6	-	-	-	-	-	-	-	-	-	-	-	-	-	-	-	160				
168	-	30.7	-	-	-	-	-	-	-	-	-	-	-	-	-	-	-	168				
176	-	29.8	24.0	-	-	-	-	-	-	-	-	-	-	-	-	-	-	176				
184	-	29.3	22.9	-	-	-	-	-	-	-	-	-	-	-	-	-	-	184				
192	-	-	22.1	-	-	-	-	-	-	-	-	-	-	-	-	-	-	192				
200	-	-	21.3	-	-	-	-	-	-	-	-	-	-	-	-	-	-	200				
208	-	-	20.2	-	-	-	-	-	-	-	-	-	-	-	-	-	-	208				
216	-	-	-	-	-	-	-	-	-	-	-	-	-	-	-	-	-	216				
224	-	-	-	-	-	-	-	-	-	-	-	-	-	-	-	-	-	224				
232	-	-	-	-	-	-	-	-	-	-	-	-	-	-	-	-	-	232				
240	-	-	-	-	-	-	-	-	-	-	-	-	-	-	-	-	-	240				
248	-	-	-	-	-	-	-	-	-	-	-	-	-	-	-	-	-	248				
256	-	-	-	-	-	-	-	-	-	-	-	-	-	-	-	-	-	256				
264	-	-	-	-	-	-	-	-	-	-	-	-	-	-	-	-	-	264				

- 132,300 lb
- 154,350 lb
- 176,400 lb
- 198,400 lb
- 220,500 lb
- 242,500 lb
- 264,600 lb
- 286,600 lb
- 308,600 lb
- 330,700 lb

		19.7 ft (XL)			360°			ASME B30.5		
		163.4 ft								
		226.4 ft			246.1 ft					
		84°	73°	65°	84°	73°	65°			
ft	1,000 lb									ft
96	22.9	-	-	-	-	-	-	96		
104	22.3	-	-	17.9	-	-	104			
112	22.0	-	-	17.8	-	-	112			
120	21.7	-	-	17.6	-	-	120			
128	21.3	-	-	17.2	-	-	128			
136	21.0	-	-	16.8	-	-	136			
144	20.5	-	-	16.5	-	-	144			
152	20.3	-	-	16.3	-	-	152			
160	20.2	-	-	16.0	-	-	160			
168	19.9	-	-	15.7	-	-	168			
176	19.7	16.1	-	15.5	-	-	176			
184	19.6	15.9	-	15.4	12.6	-	184			
192	19.6	15.6	-	15.2	12.3	-	192			
200	19.4	15.3	-	14.9	12.2	-	200			
208	19.1	15.1	-	14.6	12.0	-	208			
216	18.8	14.8	-	14.3	11.9	-	216			
224	18.5	14.3	12.1	14.1	11.7	-	224			
232	18.1	14.0	11.7	13.7	11.4	-	232			
240	-	13.8	11.2	13.3	11.1	9.1	240			
248	-	13.5	10.8	13.1	10.8	8.8	248			
256	-	13.2	10.6	-	10.6	8.4	256			
264	-	13.2	10.0	-	10.4	8.1	264			
272	-	-	9.5	-	10.3	7.8	272			
280	-	-	9.0	-	10.2	7.6	280			
288	-	-	8.4	-	10.1	7.3	288			
296	-	-	-	-	-	7.0	296			
304	-	-	-	-	-	6.5	304			



132,300 lb
154,350 lb
176,400 lb
198,400 lb
220,500 lb
242,500 lb
264,600 lb
286,600 lb
308,600 lb
330,700 lb

19.7 ft (XL)													360°			ASME B30.5										
179.8 ft																										
78.7 ft													88.6 ft			108.3 ft			128.0 ft							
84°			73°			65°			84°			73°			65°			84°			73°			65°		
ft													1,000 lb									ft				
72	76.2	-	-	72.3	-	-	-	-	-	-	-	-	-	-	-	-	-	-	-	-	-	-	72			
80	70.7	-	-	67.4	-	-	62.4	-	-	56.1	-	-	53.6	-	-	-	-	-	-	-	-	-	80			
88	66.3	-	-	63.0	-	-	59.1	-	-	53.6	-	-	51.2	-	-	-	-	-	-	-	-	-	88			
96	-	-	-	59.3	-	-	55.5	-	-	51.2	-	-	48.6	-	-	-	-	-	-	-	-	-	96			
104	-	-	-	-	-	-	52.2	-	-	48.6	-	-	45.9	-	-	-	-	-	-	-	-	-	104			
112	-	47.5	-	-	-	-	49.5	-	-	45.9	-	-	43.6	-	-	-	-	-	-	-	-	-	112			
120	-	45.9	-	-	43.3	-	-	-	-	43.6	-	-	41.5	-	-	-	-	-	-	-	-	-	120			
128	-	-	-	-	41.9	-	-	-	-	41.5	-	-	39.8	-	-	-	-	-	-	-	-	-	128			
136	-	-	-	-	40.4	-	-	36.7	-	39.8	33.2	-	-	-	-	-	-	-	-	-	-	-	136			
144	-	-	18.8	-	-	-	-	35.3	-	-	31.8	-	-	-	-	-	-	-	-	-	-	-	144			
152	-	-	-	-	-	16.2	-	34.2	-	-	30.7	-	-	-	-	-	-	-	-	-	-	-	152			
160	-	-	-	-	-	-	-	-	-	-	29.6	-	-	-	-	-	-	-	-	-	-	-	160			
168	-	-	-	-	-	-	-	-	-	-	28.7	-	-	-	-	-	-	-	-	-	-	-	168			
176	-	-	-	-	-	-	-	-	-	26.6	28.7	-	-	-	-	-	-	-	-	-	-	-	176			
184	-	-	-	-	-	-	-	-	-	25.7	28.1	21.3	-	-	-	-	-	-	-	-	-	-	184			
192	-	-	-	-	-	-	-	-	-	-	26.6	25.7	20.5	-	-	-	-	-	-	-	-	-	192			
											19.7												192			

147.6 ft													167.3 ft			187.0 ft			206.7 ft							
84°			73°			65°			84°			73°			65°			84°			73°			65°		
ft													1,000 lb									ft				
80	46.4	-	-	-	-	-	-	-	-	-	-	-	-	-	-	-	-	-	-	-	-	-	80			
88	45.5	-	-	37.7	-	-	-	-	-	-	-	-	-	-	-	-	-	-	-	-	-	-	88			
96	44.3	-	-	37.2	-	-	30.6	-	-	24.7	-	-	24.5	-	-	-	-	-	-	-	-	-	96			
104	43.1	-	-	36.7	-	-	30.5	-	-	24.5	-	-	24.2	-	-	-	-	-	-	-	-	-	104			
112	41.3	-	-	36.1	-	-	30.4	-	-	24.2	-	-	23.7	-	-	-	-	-	-	-	-	-	112			
120	39.2	-	-	35.0	-	-	30.1	-	-	23.7	-	-	23.4	-	-	-	-	-	-	-	-	-	120			
128	37.4	-	-	33.6	-	-	29.6	-	-	23.4	-	-	22.8	-	-	-	-	-	-	-	-	-	128			
136	35.6	-	-	32.1	-	-	28.8	-	-	22.8	-	-	22.3	-	-	-	-	-	-	-	-	-	136			
144	34.0	28.5	-	30.7	-	-	28.0	-	-	22.3	-	-	21.7	-	-	-	-	-	-	-	-	-	144			
152	32.9	27.4	-	29.4	22.4	-	27.2	-	-	21.7	-	-	21.0	-	-	-	-	-	-	-	-	-	152			
160	-	26.6	-	28.3	21.6	-	26.1	-	-	21.0	-	-	20.3	-	-	-	-	-	-	-	-	-	160			
168	-	25.6	-	27.2	20.8	-	25.0	18.5	-	20.3	-	-	19.5	15.0	-	-	-	-	-	-	-	-	168			
176	-	24.8	-	26.5	20.0	-	24.1	18.0	-	19.5	15.0	-	18.7	15.0	-	-	-	-	-	-	-	-	176			
184	-	24.2	18.5	-	19.4	-	23.4	17.4	-	18.7	15.0	-	18.2	14.4	-	-	-	-	-	-	-	-	184			
192	-	23.5	17.7	-	18.8	-	22.8	16.9	-	18.2	14.4	-	17.6	14.0	-	-	-	-	-	-	-	-	192			
200	-	-	17.0	-	18.3	14.8	-	16.3	-	17.6	14.0	-	17.1	13.6	-	-	-	-	-	-	-	-	200			
208	-	-	16.4	-	17.8	14.2	-	15.8	-	17.1	13.6	-	16.8	13.0	-	-	-	-	-	-	-	-	208			
216	-	-	15.9	-	17.6	13.5	-	15.5	-	16.8	13.0	-	-	12.8	-	-	-	-	-	-	-	-	216			
224	-	-	-	-	-	13.2	-	15.2	-	-	12.8	-	-	12.5	-	-	-	-	-	-	-	-	224			
232	-	-	-	-	-	12.6	-	14.8	-	-	12.5	-	-	12.2	-	-	-	-	-	-	-	-	232			
240	-	-	-	-	-	-	-	-	-	-	12.2	-	-	12.0	-	-	-	-	-	-	-	-	240			
248	-	-	-	-	-	-	-	-	-	-	12.0	-	-	-	-	-	-	-	-	-	-	-	248			

132,300 lb 154,350 lb 176,400 lb 198,400 lb 220,500 lb 242,500 lb 264,600 lb 286,600 lb 308,600 lb 330,700 lb

19.7 ft (XL)		360°		ASME B30.5	
179.8 ft					
226.4 ft		84°		73° 65°	
ft	1,000 lb			ft	
104	21.2	-	-	104	
112	20.9	-	-	112	
120	20.4	-	-	120	
128	20.2	-	-	128	
136	19.7	-	-	136	
144	19.4	-	-	144	
152	19.1	-	-	152	
160	18.7	-	-	160	
168	18.3	-	-	168	
176	17.9	-	-	176	
184	17.4	13.0	-	184	
192	16.6	12.9	-	192	
200	16.1	12.6	-	200	
208	15.6	12.0	-	208	
216	15.0	11.7	-	216	
224	14.7	11.4	-	224	
232	14.3	10.9	-	232	
240	-	10.7	-	240	
248	-	10.4	-	248	
256	-	10.1	-	256	
264	-	10.0	-	264	
272	-	9.9	-	272	


132,300 lb
154,350 lb
176,400 lb
198,400 lb
220,500 lb
242,500 lb
264,600 lb
286,600 lb
308,600 lb
330,700 lb