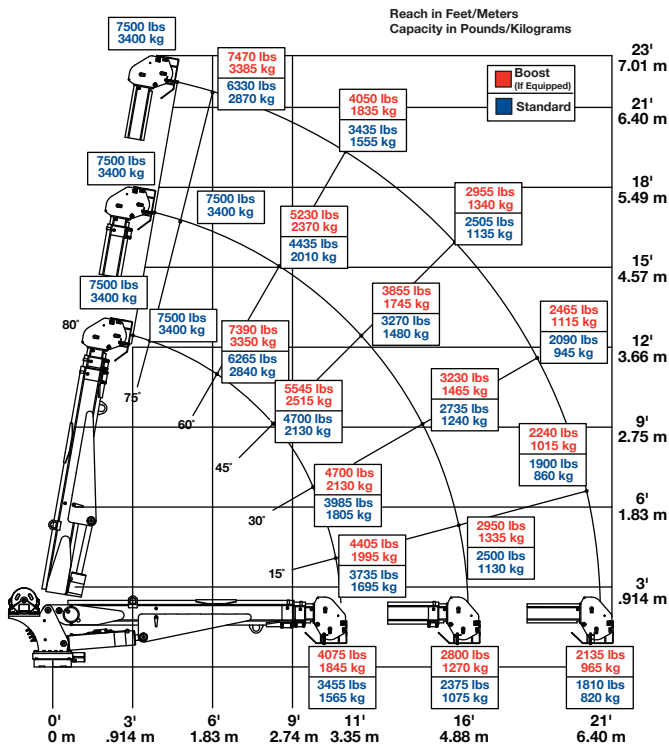
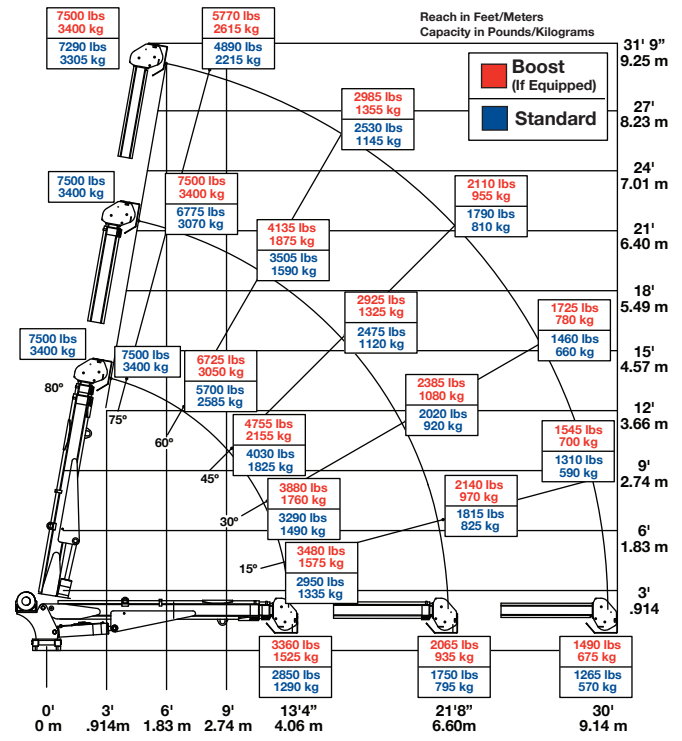


7621 CAPACITY CHART



7630 CAPACITY CHART



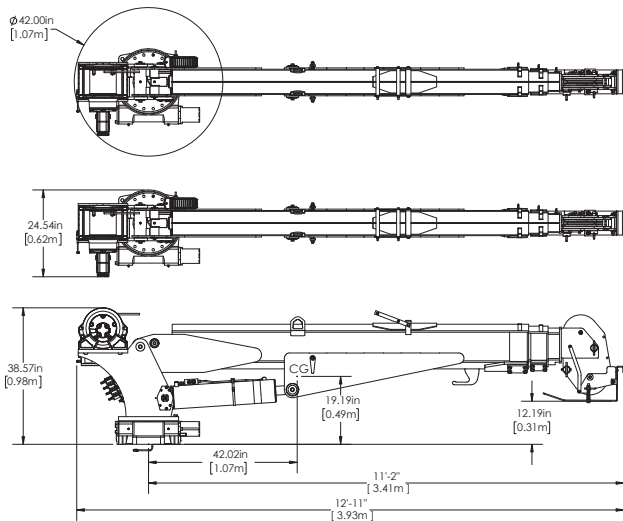
Weight of load handling devices are part of the load lifted and must be deducted from the capacity.

Maximum 1-part line capacity is 3750 lbs. (1700 kg). For greater loads, use 2-part line.

Weight of load handling devices are part of the load lifted and must be deducted from the capacity.

Maximum 1 - part line capacity is 3750 lbs. (1700 kg). For greater loads, use 2 - part line.

7621 DIMENSIONS



7630 DIMENSIONS

