



IOWA MOLD TOOLING CO., INC.

P.O. Box 189
Garner, IA 50438
Tel: 641.923.3711
Fax: 641.923.2424
www.imt.com

Manual # 99905498

40/275

Technical Specifications

Revised 01-24-2018

Copyright © 2018 Iowa Mold Tooling Co., Inc.
All rights reserved

No part of this publication may be reproduced, stored in a retrieval system, or transmitted in any form or by any means, electronic, mechanical, photocopying, recording or otherwise without the prior written permission of Iowa Mold Tooling Co., Inc.

Iowa Mold Tooling Co., Inc. is an Oshkosh Corporation Company

Table of Contents

Section - 1	Technical Specifications	1
<hr/>		
40 / 275 - Specifications	2
40 / 275 - Specifications - Continued	3
40 / 275 - Specifications - Continued	4
40 / 275 - Metric Specifications	5
40 / 275 - Metric Specifications - Continued	6
40 / 275 - Metric Specifications - Continued	7
Section - 2	Lifting Capacity Charts	9
<hr/>		
40 / 275 - Lifting Capacity Chart, K2	10
40 / 275 - Lifting Capacity Chart, K3	11
40 / 275 - Lifting Capacity Chart, K4	12
40 / 275 - Lifting Capacity Chart, K5	13
40 / 275 - Lifting Capacity Chart, K6	14
40 / 275 - Lifting Capacity Chart, K7	15
40 / 275 - Lifting Capacity Chart, K8	16
40 / 275 - Lifting Capacity Chart, K5/FJ1000 K3	17
40 / 275 - K5 FJ1000 K4	18
40 / 272 - K5 FJ1000 K5	19
40 / 275 - Lifting Capacity K2 - K8	20
40 / 275 - Lifting Capacity with Winch	21
40 / 275 - Lifting Capacity with Winch (Metric)	22
40 / 275 - Lifting Capacity, Fly-Jib with Winch	23
40 / 275 - Lifting Capacity, Fly-Jib with Winch (Metric)	24
Section - 3	Hydraulics	25
<hr/>		
40 / 275 - Pressure setting diagram, fixed flow pump & Danfoss RC	26
40 / 275 - Working Pressure for Fly-Jib	27
40 / 275 - Hydraulic Diagram - Danfoss, Single-Circuit Crane Functions	28
40 / 275 - Hydraulic Diagram - Danfoss, Single-Circuit FJ with EXV + Winch	29
40 / 275 - Hydraulic Diagram - Danfoss, Single Circuit Variable & Fixed	30
40 / 275 - Hyd. Diagram - Danfoss, Single-Circuit, 1 extra Danfoss fcts.	31
40 / 275 - Hyd. Diagram - Hyd Diagram-Stabilizer Circuit, 4 Available fcts.	32
Section - 4	Dimension Drawings	33
<hr/>		
40 / 275 - Dimension Sketch - K2-K6	34
40 / 275 - Dimension Sketch K4-K6	35
40 / 275 - Dimension Sketch K7-K8	36
40 / 275 - K5 with FJ1000 Dimensional Drawing	37
40 / 275 - K5 with FJ1000 with Winch Dimensional Drawing	38
40 / 275 - K6 with FJ600 Dimensional Drawings	39
40 / 275 - K6 FJ600 with Winch Dimension Drawing	40
40 / 275 - Dimensional Drawing	41
40 / 275 - Stabilizer Drawing	42
40 / 275 - Tank Dimensions	43
40 / 275 - Chassis Mounted Tank Dimensions	44
40 / 275 - Winch Dimensions	46
40 / 275 - Dimensions when Stowed in Truck	47
40 / 275 - Swing Radius	48
40 / 275 - Lifting Height At Column	49
40 / 275 - Dimension Sketch, Stabilizer Legs	50
40 / 275 - Dimension Sketch, Stabilizer Cylinder	51

40 / 275 - Technical Data, Winch	52
40 / 275 - Technical Data, Winch (Metric)	52
40 / 275 - Dimension Sketch, Winch	53
40 / 275 - Dimension Sketch, Hose Routing	54
40 / 275 - Dimension Sketch, TS-RC	55
40 / 275 - Centers of Gravity	56
40 / 275 - K2-K5, FJ600 K3-K4, FJ1000 K3-K5 - Center of Gravity	57
40 / 275 - K2-K5, FJ600 K3-K4, FJ1000 K3-K5 - Center of Gravity (Metric)	57
40 / 275 - Dimension Sketch, with FJ1000	58
40 / 275 - Dimension Sketch, K5 with FJ1000 with Winch	59

This page left intentionally blank

This page left intentionally blank

40 / 275 Technical Specifications

Section - 1

40 / 275 - Specifications

Performance	Unit	K2	K3	K4	K5	K6	K7	K8
Loading group (EN12999)		H1/B3	H1/B3	H1/B3	H1/B3	H1/B3	H1/B3	H1/B3
Load moment	ft-lb	274291	267073	259133	251915	250471	244696	243253
Hydraulic reach	ft	26'6"	31'1"	40'0"	47'1"	54'5"	62'2"	70'0"
Hydraulic telescopic movement	ft	11'9"	18'5"	25'0"	32'1"	39'4"	46'8"	54'5"
Lifting capacity, hydraulic	lb-ft	19025 14'4"	18145 14'8"	17570 14'8"	17065 14'8"	16665 15'1"	16225 15'1"	15830 15'4"
		13360 20'0"	12655 21'0"	12145 21'0"	11685 21'0"	11310 21'0"	10935 21'0"	10580 21'3"
		10230 26'3"	9590 26'6"	9060 27'0"	8620 27'0"	8245 27'2"	7915 27'2"	7585 27'6"
			7630 33'1"	7120 33'4"	6680 33'4"	6305 33'8"	5975 33'8"	5665 34'1"
				5885 40'0"	5445 40'0"	5050 40'4"	4740 40'4"	4430 41'0"
					4586 47'2"	4210 47'2"	3880 47'6"	3570 47'6"
						3615 54'5"	3285 54'8"	2955 54'8"
							2845 62'3"	2535 62'3"
								2225 69'9"
Lifting capacity, manual extensions	lb-ft			4519 46'2"	3483 54'1"	3020 61'3"	2205 69'2"	1698 77'4"
				3616 54'1"	2844 61'7"	2491 69'2"	1808 77'4"	1378 85'6"
				2954 61'7"	2358 69'2"	2072 77'4"	1521 85'6"	
Slewing torque, gross	lb-ft	29502						
Slewing angle	°							
Max. heel at max. load moment	°	5						
Slewing speed	°/s	10						

Minimum Chassis Specs

Front Axle Rating (GAWR)	16,000 lbs (7,257 kg)
Rear Axle Rating (GAWR)	40,000 lbs (18,150 kg)
Resistance to Bending Moment	4,125,000 in-lbs (47,525 kg-m)

40 / 275 - Specifications - Continued

Dimensions	Unit	K2	K3	K4	K5	K6	K7	K8	
Height above chassis	in	94							
Width	in	99							
Length, no extra valves	in	45					50		
Length, with extra valves (hose guides)	in	50							
Length, with 2 extra valve (hose reels)	in						55		
Length, with extra valves (int. hose routing)	in	45							
Stabilizer spread, min., 2xS=1625	ft	18'2"							
Stabilizer spread max., 2xS=2735	ft	25'5"							

Weights, basic loader	Unit	K2	K3	K4	K5	K6	K7	K8
Standard loader 1), excl. stabilizers	lb	6945	7518	8069	8598	8995	9348	9700
Stabilizers beam, 1xS=1625	lb	375						
Stabilizers beam, 1xS=2065	lb	584						
Stabilizers beam, 1xS=2735	lb	639						
Stabilizer cylinders, 1x swing-up	lb	143						
Stabilizers cylinders, 1xhyd. swing-up	lb	159						
Mounting kit - long, 8 bolts	lb	220						
Mounting kit - standard 8 bolts	lb	198						
Mounting kit - subframe	lb	110						
Manual extensions	lb			331 298 231	298 231 198	231 198 181	198 181 137	181 137
Oil in loader (stowing position)	lb	99	110	119	130	141	196	161
Tank 250L, excl. oil (fitted on loader)*	lb	205						
Tank 160L, excl. oil (fitted on loader)*	lb	165						

1) Weights \pm 5% because of tolerances for plate thickness

40 / 275 - Specifications - Continued

Weights, equipment	Unit	K2	K3	K4	K5	K6	K7	K8
1 extra valve, int hose routing	lb	165	165	176	176	187		
2 extra valves, hose guides	lb	165	198	231	264	298		
2 extra valve, hose reels	lb						408	408
2 extra valve, int. hose routing	lb	287	287	309	320	331		
Winch (2.5 t), single snatch block	lb	397	397	397	408	408	408	419
Winch (2.5 t), double snatch block	lb	441			452			463
Winch (3.2 t), single snatch block	lb	529						
Winch (3.2 t), double snatch block	lb	606			617			628
Extra proportional RC-function on the base	lb	26						
Oil cooler	lb	66						

Max. Load on stabilizers (per stabilizer cylinder)	Unit	K2	K3	K4	K5	K6	K7	K8
S=1650 (swing-up / hydr. Swing-up)	ft-lb	111						
S=2065 (swing-up / hydr. swing-up)	ft-lb	107						
S=2735 (swing-up / hydr. swing-up)	ft-lb	103						

Power consumption (oil capacity)	Unit	K2	K3	K4	K5	K6	K7	K8
Working pressure	PSI	5294						
Max. pump performance, fixed flow	gpm	21						
	KW	49						
Max. pump performance, variable	gpm	21						
	KW	68						
Max. oil consumption	gal	14.6	16.4	18	19.3	20.6	21.7	22.7

40 / 275 - Metric Specifications

Performance	Unit	40 / 275 K2	40 / 275 K3	40 / 275 K4	40 / 275 K5	40 / 275 K6	40 / 275 K7	40 / 275 K8
Loading group (EN12999)		H1/B3	H1/B3	H1/B3	H1/B3	H1/B3	H1/B3	H1/B3
Load moment	tm	38	37	35.9	34.9	34.7	33.9	33.7
Hydraulic reach	m	8.1	10.1	12.2	14.35	16.6	18.95	21.3
Hydraulic telescopic movement	mm	3625	5625	7625	9775	12000	14275	16600
Lifting capacity. hydraulic	kg-m	8630 - 4.4	8230 - 4.5	7970 - 4.5	7740 - 4.5	7560 - 4.6	7360 - 4.6	7180 - 4.7
		6060 - 6.1	5740 - 6.3	5510 - 6.3	5300 - 6.3	5130 - 6.4	4960 - 6.4	4800 - 6.5
		4640 - 8.0	4350 - 5.1	4110 - 8.2	3910 - 8.2	3740 - 8.3	3590 - 8.3	3440 - 8.4
			3460 - 10.1	3230 - 10.2	3030 - 10.2	2860 - 10.3	2710 - 10.3	2570 - 10.4
				2670 - 12.2	2470 - 12.2	2290 - 12.3	2150 - 12.3	2010 - 12.4
					2080 - 14.4	1910 - 14.4	1760 - 14.5	1620 - 14.5
						1640 - 16.6	1490 - 16.7	1340 - 16.7
Lifting capacity. manual extensions	kg-m			2050 - 14.1	1580 - 16.5	1370 - 18.7	1000 - 21.1	770 - 23.6
				1640 - 16.5	1290 - 18.8	1130 - 21.1	820 - 23.6	625 - 26.1
				1340 - 18.8	1070 - 21.1	940 - 23.6	690 - 26.1	
Slewing torque. gross	kNm	29502						
Slewing angle	°							
Max. heel at max. load moment	°	5						
Slewing speed	°/s	10						

40 / 275 - Metric Specifications - Continued

Dimensions	Unit	K2	K3	K4	K5	K6	K7	K8
Height above chassis	mm	2384						
Width	mm	2518						
Length, no extra valves	mm	1148	1148	1148	1148	1148	1274	1274
Length, with extra valves (hose guides)	mm	1271	1271	1271	1271	1271		
Length, with 2 extra valve (hose reels)	mm						1406	1406
Length, with extra valves (int. hose routing)	mm	1148	1148	1148	1148	1148		
Stabilizer spread min., 2xS=1625	mm	5550						
Stabilizer spread max., 2xS=2735	mm	7770						

Weights, basic loader	Unit	K2	K3	K4	K5	K6	K7	K8
Standard loader 1), excl. stabilizers	kg	3150	3410	3660	3900	4080	4240	4400
Stabilizers beam, 1xS=1625	kg	170						
Stabilizers beam, 1xS=2065	kg	265						
Stabilizers beam, 1xS=2735	kg	290						
Stabilizer cylinders, 1x swing-up	kg	65						
Stabilizers cylinders, 1xhyd. swing-up	kg	72						
Mounting kit - long, 8 bolts	kg	100						
Mounting kit - standard 8 bolts	kg	90						
Mounting kit - subframe	kg	50						
Manual extensions	kg			150	135	105	90	82
	kg			135	105	90	82	62
	kg			105	90	82	62	
Oil in loader (stowing position)	kg	45	50	54	59	64	89	73
Tank 250L, excl. oil (fitted on loader)*	kg	93						
Tank 160L, excl. oil (fitted on loader)*	kg	75						

1) Weights \pm 5% because of tolerances for plate thickness

40 / 275 - Metric Specifications - Continued

Weights, equipment	Unit	K2	K3	K4	K5	K6	K7	K8
1 extra valve, int hose routing	kg	75	75	80	80	85		
2 extra valves, hose guides	kg	75	90	105	120	135		
1 extra valve, hose reels	kg						185	185
1 extra valve, int. hose routing	kg	130	130	140	145	150		
Winch (2.5 t), single snatch block	kg	180	180	180	185	185	185	190
Winch (2.5 t), double snatch block	kg	200	200	200	205	205	205	210
Winch (3.2 t), single snatch block	kg	240						
Winch (3.2 t), double snatch block	kg	275	275	275	280	280	280	285
Extra proportional RC-function on the base	kg	12						
Oil cooler	kg	30						

Max. Load on stabilizers (per stabilizer cylinder)	Unit	K2	K3	K4	K5	K6	K7	K8
S=1650 (swing-up / hydr. Swing-up)	kN	150						
S=2065 (swing-up / hydr. swing-up)	kN	145						
S=2735 (swing-up / hydr. swing-up)	kN	140						

Power consumption (oil capacity)	Unit	K2	K3	K4	K5	K6	K7	K8
Working pressure	Bar	365						
Max. pump performance, fixed flow	L/min	80						
	KW	49						
Max. pump performance, variable	L/min	110						
	KW	68						
Max. oil consumption		55	62	68	73.	78	82	86

This page left intentionally blank

40 / 275 Load Capacity Charts **Section - 2**

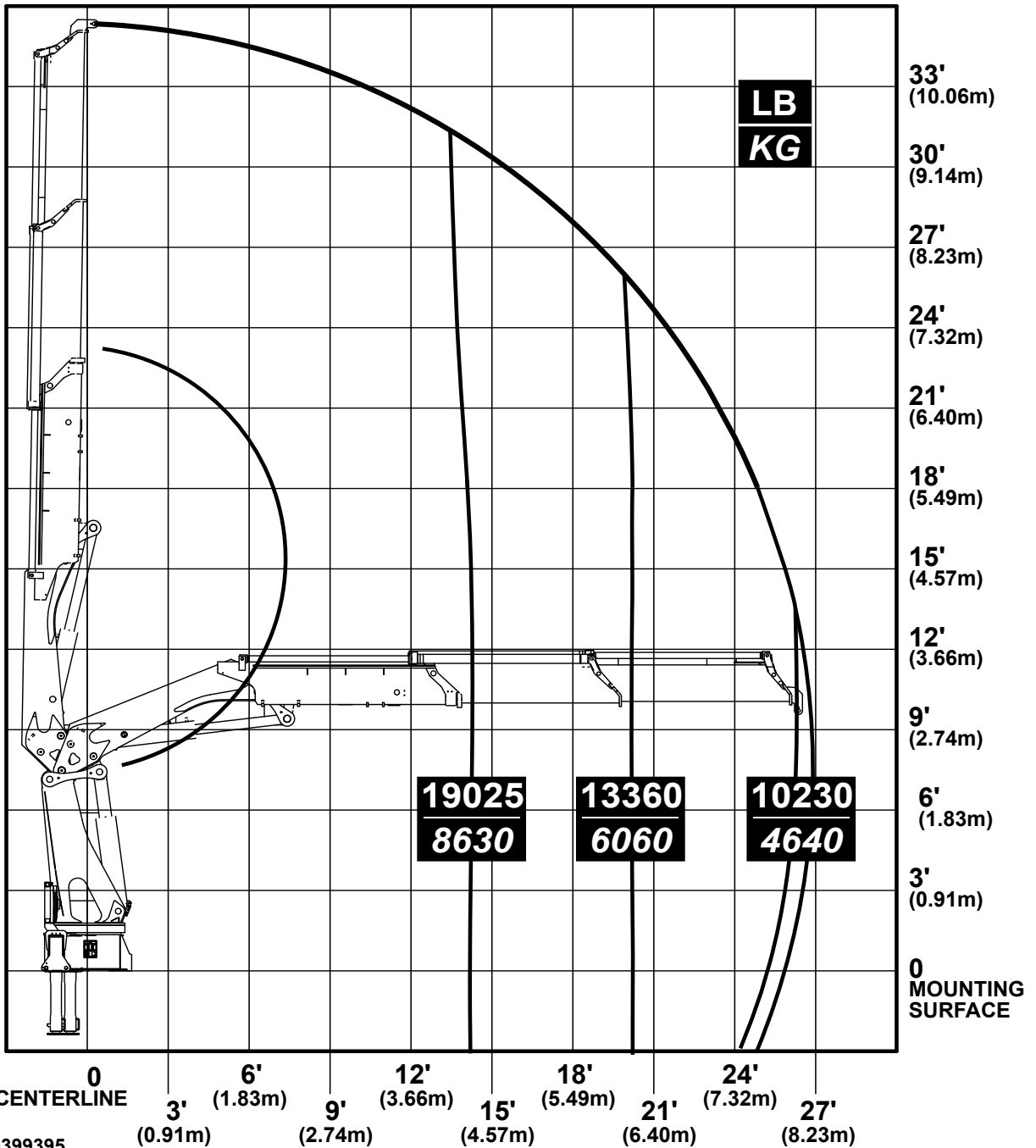
40 / 275 - Lifting Capacity Chart, K2

IMT
MATERIAL HANDLING SYSTEMS

IOWA MOLD TOOLING CO., INC.
BOX 189 • GARNER • IA • 50438 • 641-923-3711

Model 40/275K2

- Limit working loads to those shown. Deduct the weight of load handling devices.
- *El peso propio (tara) de los dispositivos de manipulación de cargas es parte de la carga levantada y se debe descontar de la capacidad nominal.*



70399395

40 / 275 - Lifting Capacity Chart, K4

IMT

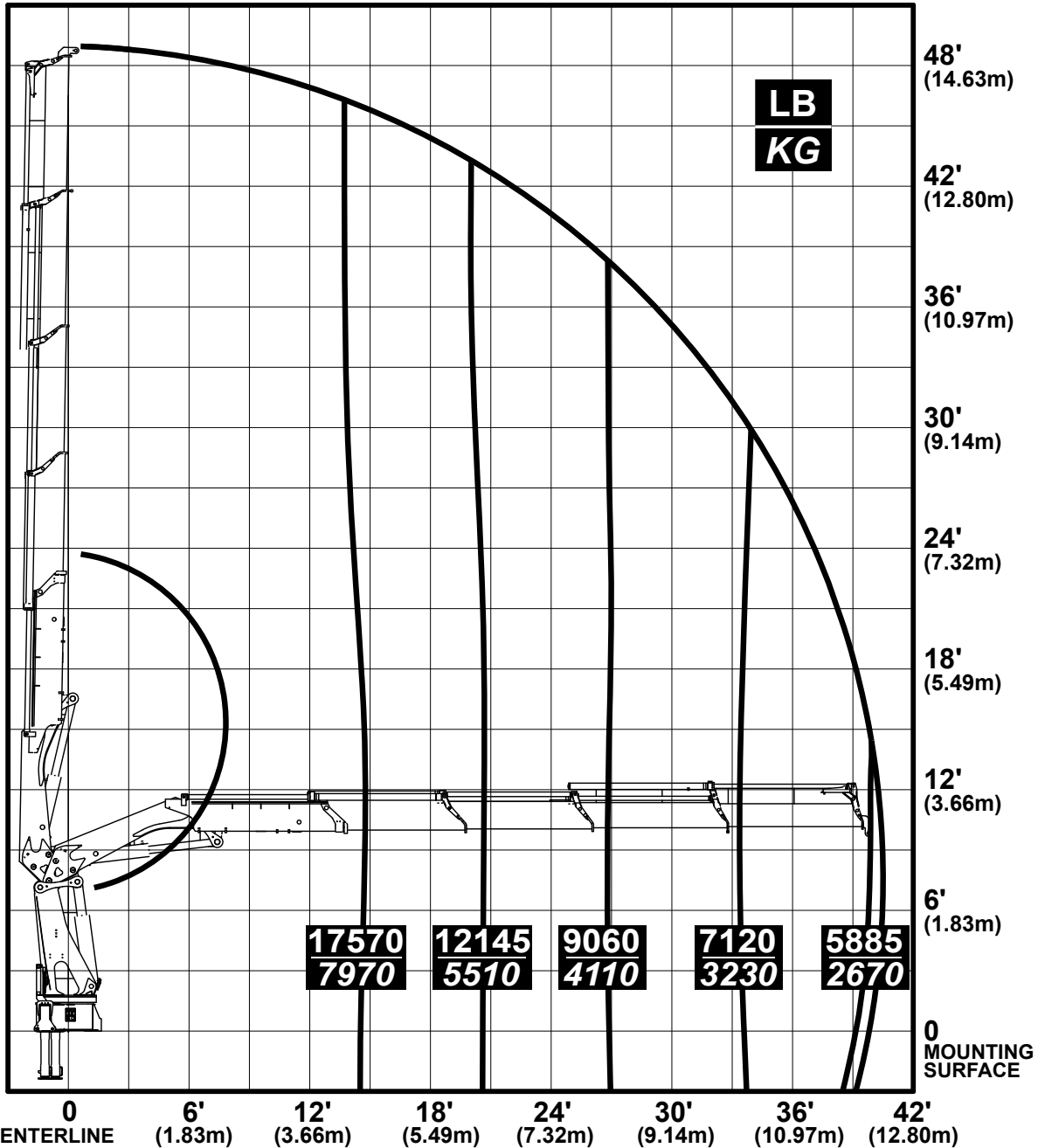
MATERIAL HANDLING SYSTEMS

IOWA MOLD TOOLING CO., INC.

BOX 189 • GARNER • IA • 50438 • 641-923-3711

**Model
40/275K4**

- Limit working loads to those shown. Deduct the weight of load handling devices.
- *El peso propio (tara) de los dispositivos de manipulación de cargas es parte de la carga levantada y se debe descontar de la capacidad nominal.*



70399397

40 / 275 - Lifting Capacity Chart, K6

IMT

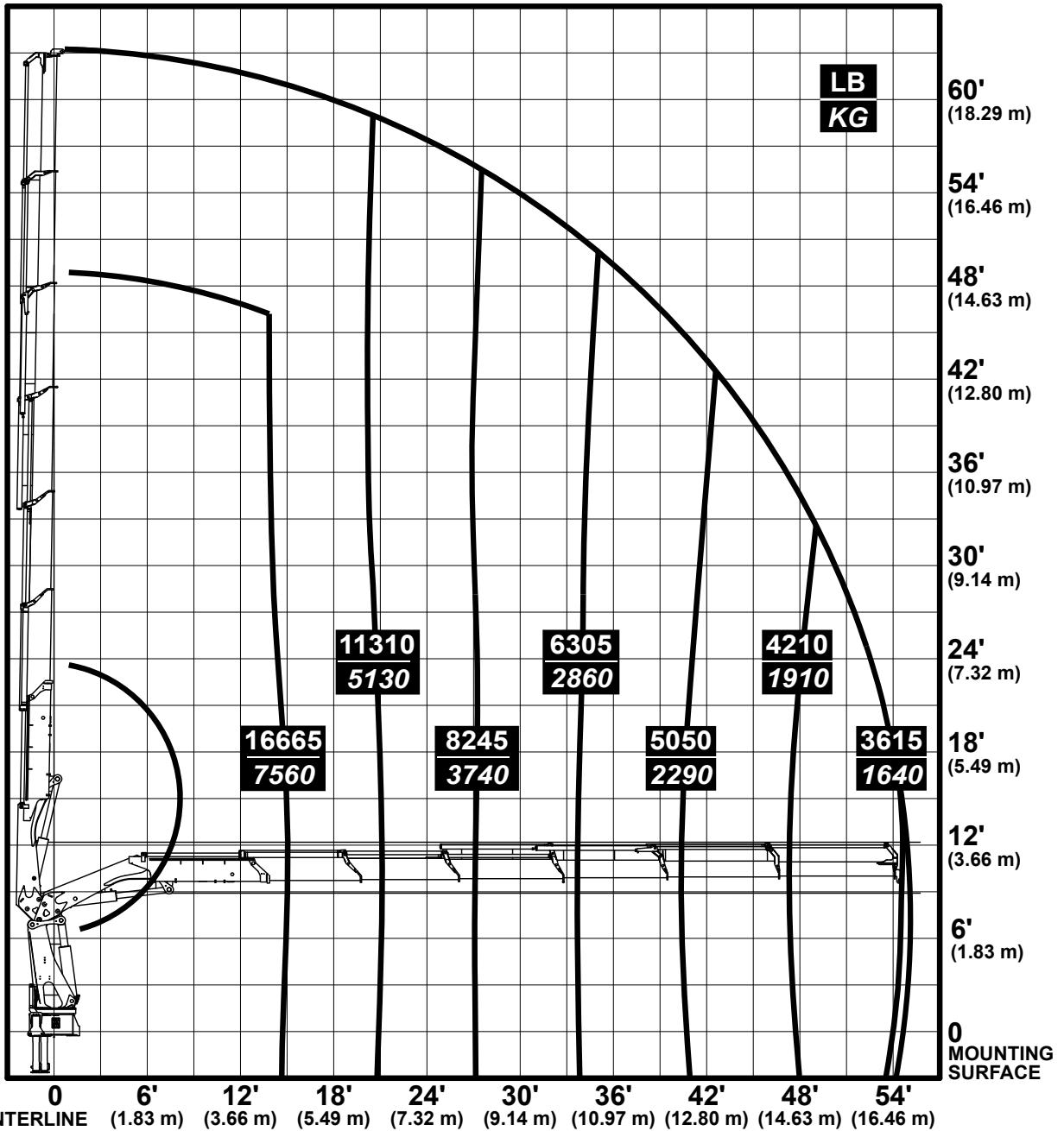
MATERIAL HANDLING SYSTEMS

IOWA MOLD TOOLING CO., INC.

BOX 189 • GARNER • IA • 50438 • 641-923-3711

Model 40/275K6

- Limit working loads to those shown. Deduct the weight of load handling devices.
- *El peso propio (tara) de los dispositivos de manipulación de cargas es parte de la carga levantada y se debe descontar de la capacidad nominal.*



70399399

40 / 275 - Lifting Capacity Chart, K8

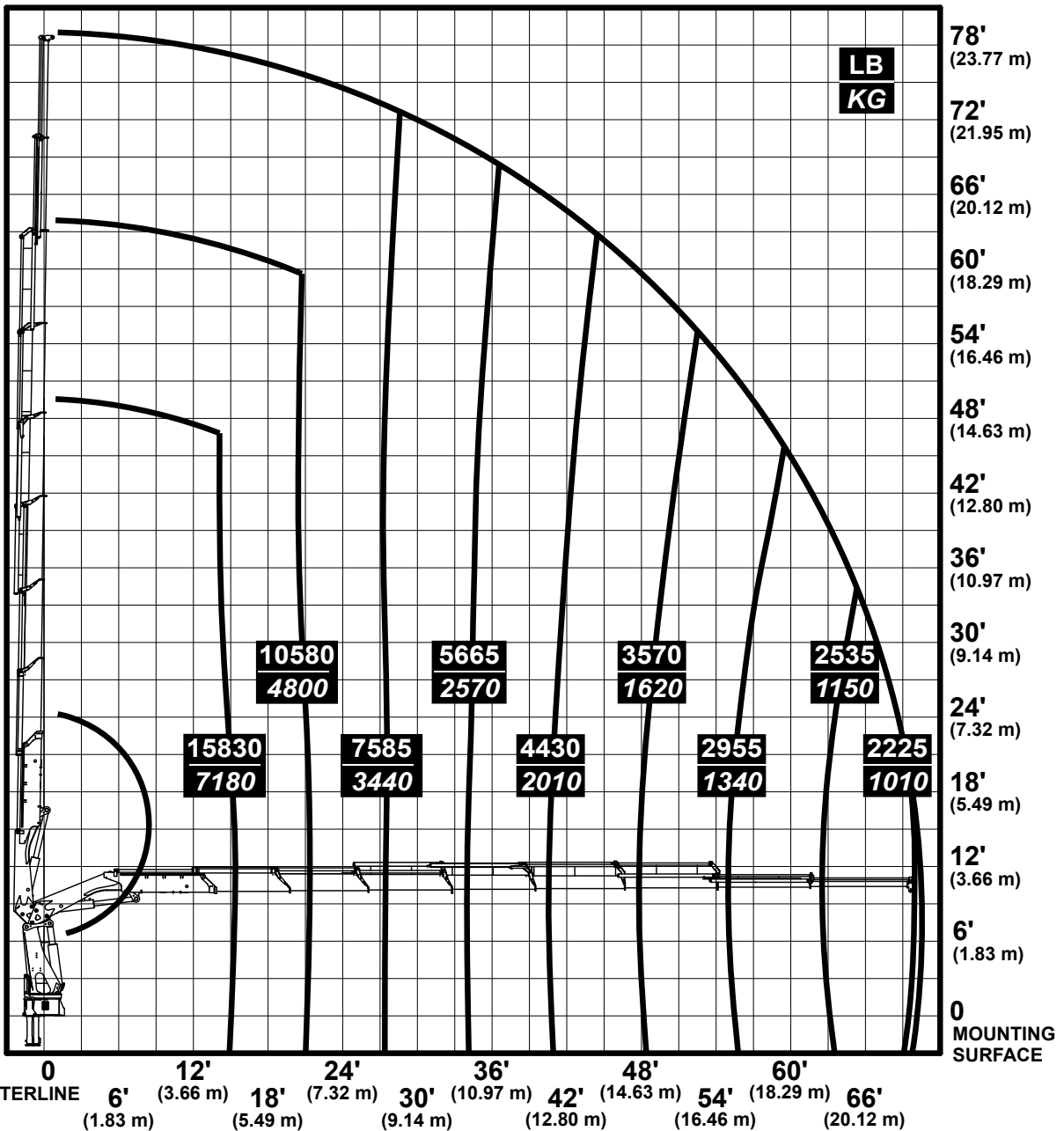
IMT

MATERIAL HANDLING SYSTEMS

IOWA MOLD TOOLING CO., INC.
 BOX 189 • GARNER • IA • 50438 • 641-923-3711

**Model
 40/275K8**

- Limit working loads to those shown. Deduct the weight of load handling devices.
- *El peso propio (tara) de los dispositivos de manipulación de cargas es parte de la carga levantada y se debe descontar de la capacidad nominal.*



70399401

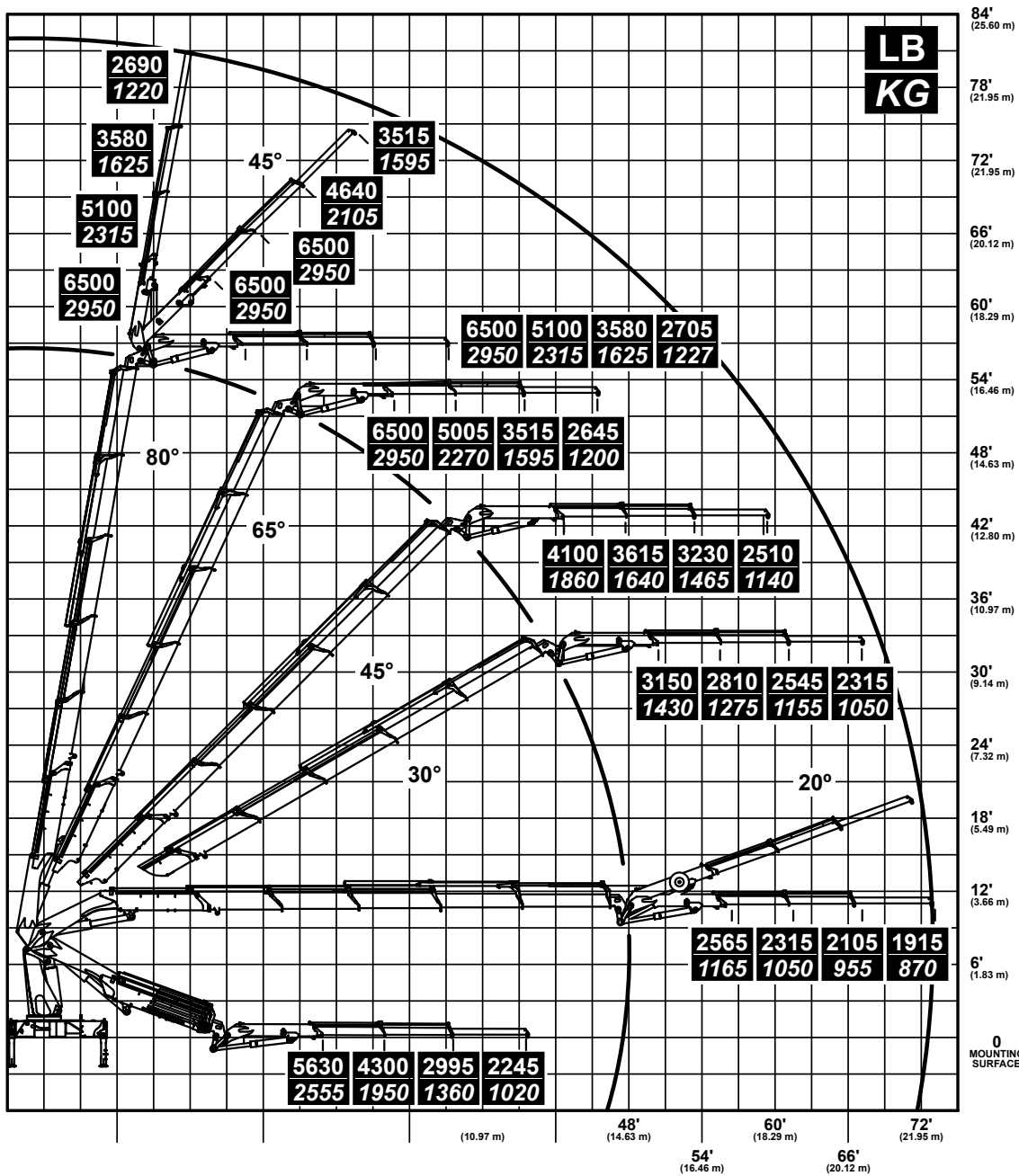
40 / 275 - Lifting Capacity Chart, K5/FJ1000 K3

IMT
MATERIAL HANDLING SYSTEMS

IOWA MOLD TOOLING CO., INC.
BOX 189 • GARNER • IA • 50438 • 641-923-3711

Model 40/275 K5 FJ1000 K3

- Working loads will be limited to those shown. Deduct the weight of load handling devices.
- Before lift is made, stability must be checked per SAE J765A.



70399472

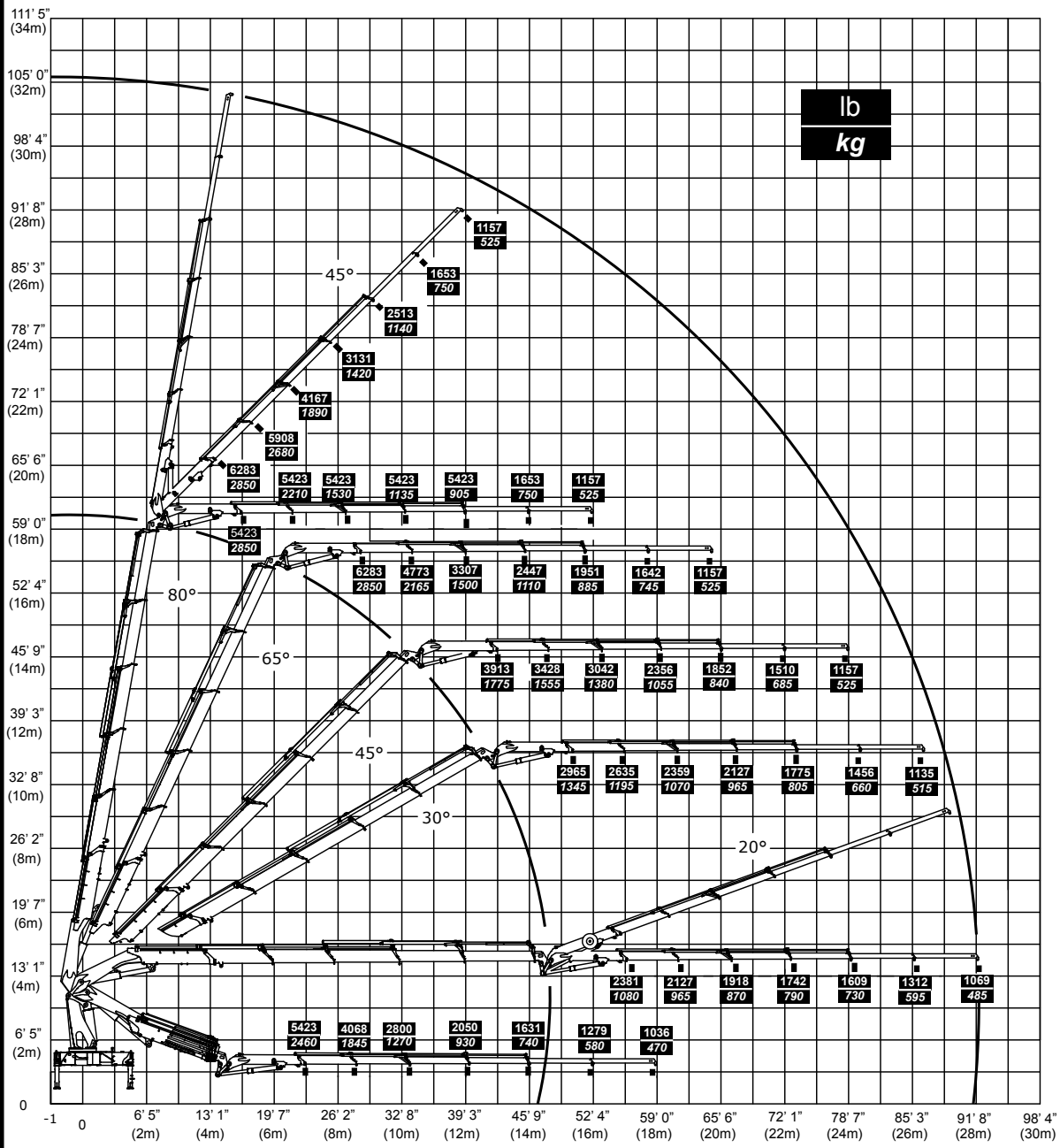
40 / 275 - K5 FJ1000 K4

IMT
MATERIAL HANDLING SYSTEMS

IOWA MOLD TOOLING CO., INC.
BOX 189 • GARNER • IA • 50438 • 641-923-3711

Model 40/275 K5 FJ1000 K4

- Working loads will be limited to those shown. Deduct the weight of load handling devices.
- Before lift is made, stability must be checked per SAE J765A.



70490113

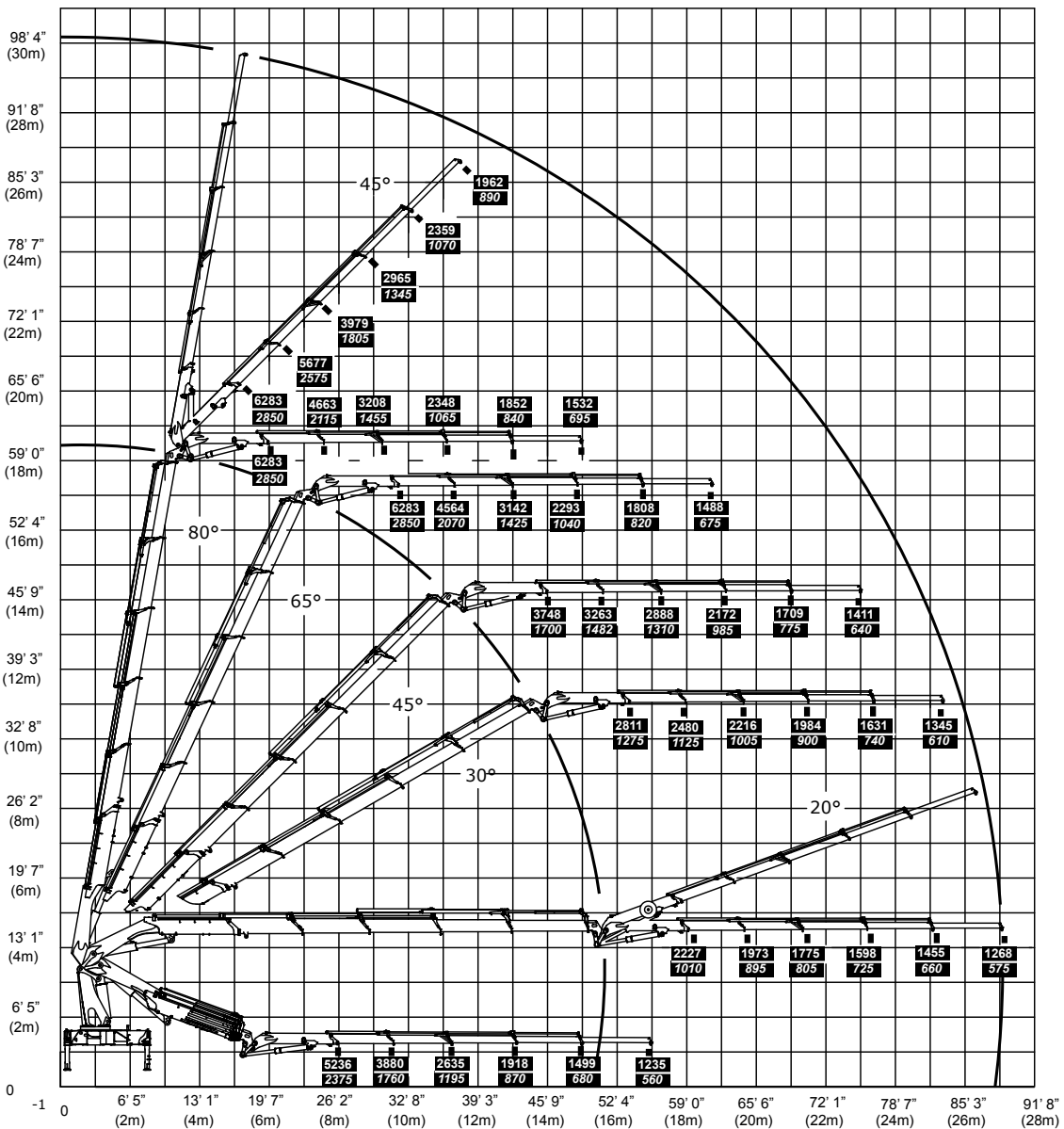
40 / 272 - K5 FJ1000 K5

IMT
 MATERIAL HANDLING SYSTEMS

IOWA MOLD TOOLING CO., INC.
 BOX 189 • GARNER • IA • 50438 • 641-923-3711

Model 40/275 K5 FJ1000 K5

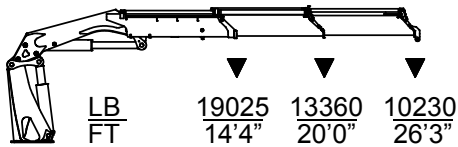
- Working loads will be limited to those shown. Deduct the weight of load handling devices.
- Before lift is made, stability must be checked per SAE J765A.



70490114

40 / 275 - Lifting Capacity K2 - K8

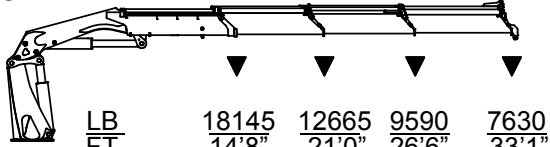
4020-K2



LB	19025	13360	10230
FT	14'4"	20'0"	26'3"
KG	8630	6060	4640
M	4,4	6,1	8,0

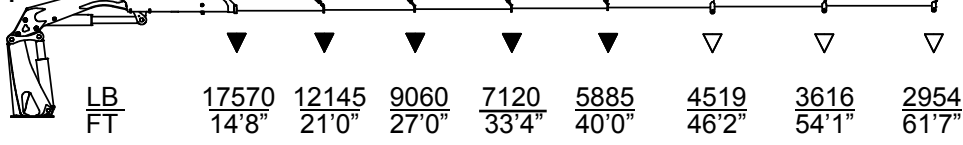
▽ Lifting capacity with manual extensions
 ▼ Lifting capacity without manual extensions

4020-K3



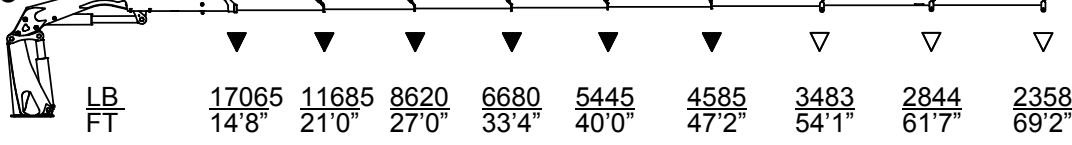
LB	18145	12665	9590	7630
FT	14'8"	21'0"	26'6"	33'1"
KG	8230	5740	4350	3460
M	4,5	6,3	8,1	10,1

4020-K4



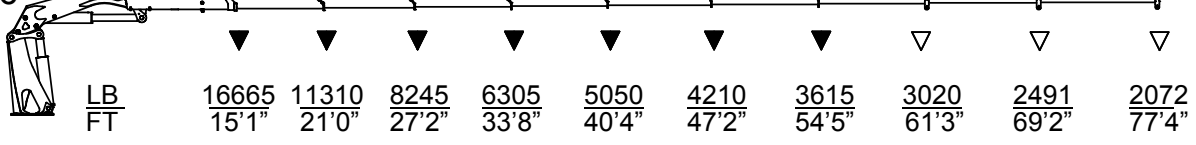
LB	17570	12145	9060	7120	5885	4519	3616	2954
FT	14'8"	21'0"	27'0"	33'4"	40'0"	46'2"	54'1"	61'7"
KG	7970	5510	4110	3230	2670	2050	1640	1340
M	4,5	6,3	8,2	10,2	12,2	14,1	16,5	18,8

4020-K5



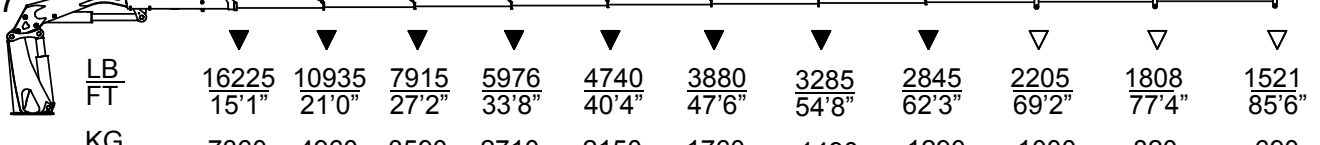
LB	17065	11685	8620	6680	5445	4585	3483	2844	2358
FT	14'8"	21'0"	27'0"	33'4"	40'0"	47'2"	54'1"	61'7"	69'2"
KG	7740	5300	3910	3030	2470	2080	1580	1290	1070
M	4,5	6,3	8,2	10,2	12,2	14,4	16,5	18,8	21,1

4020-K6



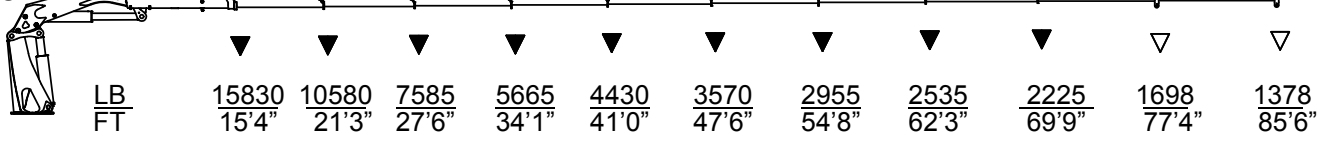
LB	16665	11310	8245	6305	5050	4210	3615	3020	2491	2072
FT	15'1"	21'0"	27'2"	33'8"	40'4"	47'2"	54'5"	61'3"	69'2"	77'4"
KG	7560	5130	3740	2860	2290	1910	1640	1370	1130	940
M	4,6	6,4	8,3	10,3	12,3	14,4	16,6	18,7	21,1	23,6

4020-K7



LB	16225	10935	7915	5976	4740	3880	3285	2845	2205	1808	1521
FT	15'1"	21'0"	27'2"	33'8"	40'4"	47'6"	54'8"	62'3"	69'2"	77'4"	85'6"
KG	7360	4960	3590	2710	2150	1760	1490	1290	1000	820	690
M	4,6	6,4	8,3	10,3	12,3	14,5	16,7	19,0	21,1	23,6	26,1

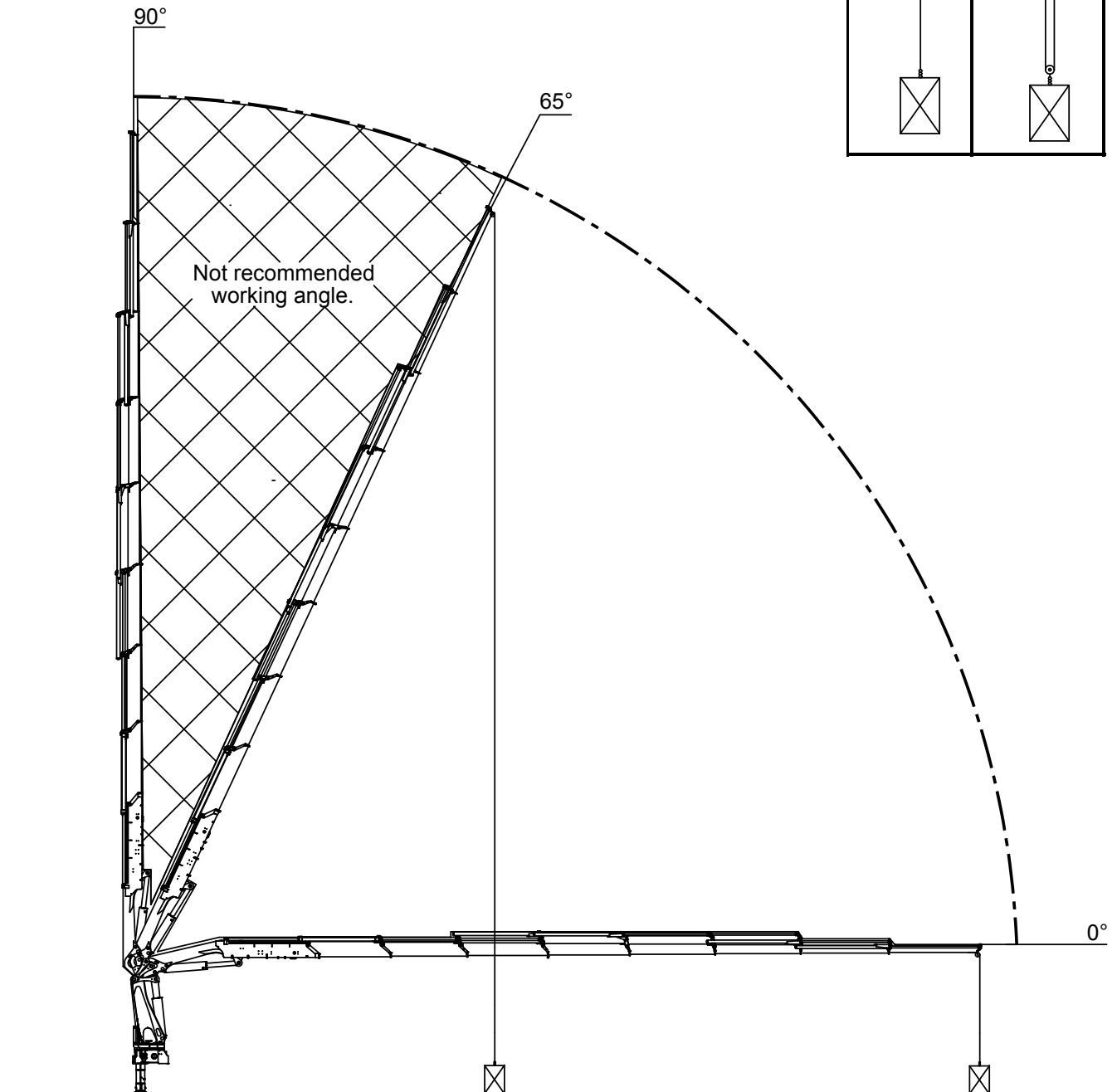
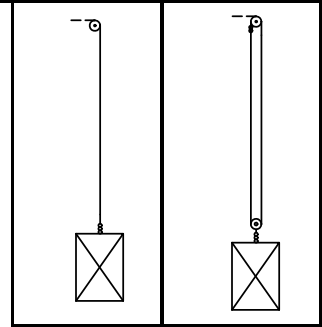
4020-K8



LB	15830	10580	7585	5665	4430	3570	2955	2535	2225	1698	1378
FT	15'4"	21'3"	27'6"	34'1"	41'0"	47'6"	54'8"	62'3"	69'9"	77'4"	85'6"
KG	7180	4800	3440	2570	2010	1620	1340	1150	1010	770	625
M	4,7	6,5	8,4	10,4	12,4	14,5	16,7	19,0	21,3	23,6	26,1

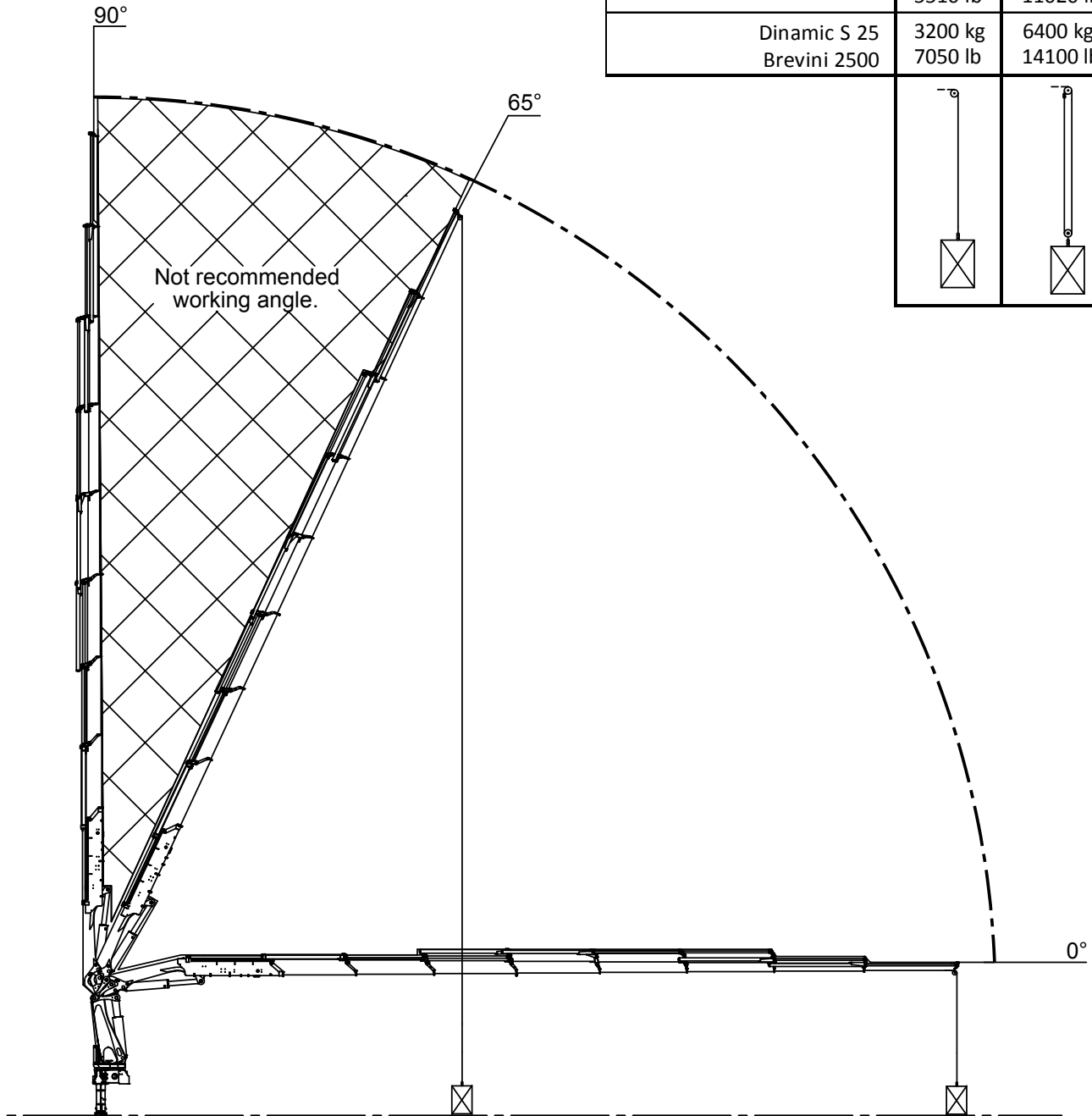
40 / 275 - Lifting Capacity with Winch

Hydraulic hoist type	MAXW	MAXWD
Dinamic P9E	3307 lb	6614 lb
Dinamic P15E	5512 lb	11023 lb
Dinamic S 25 Brevini 2500	7055 lb	14330 lb

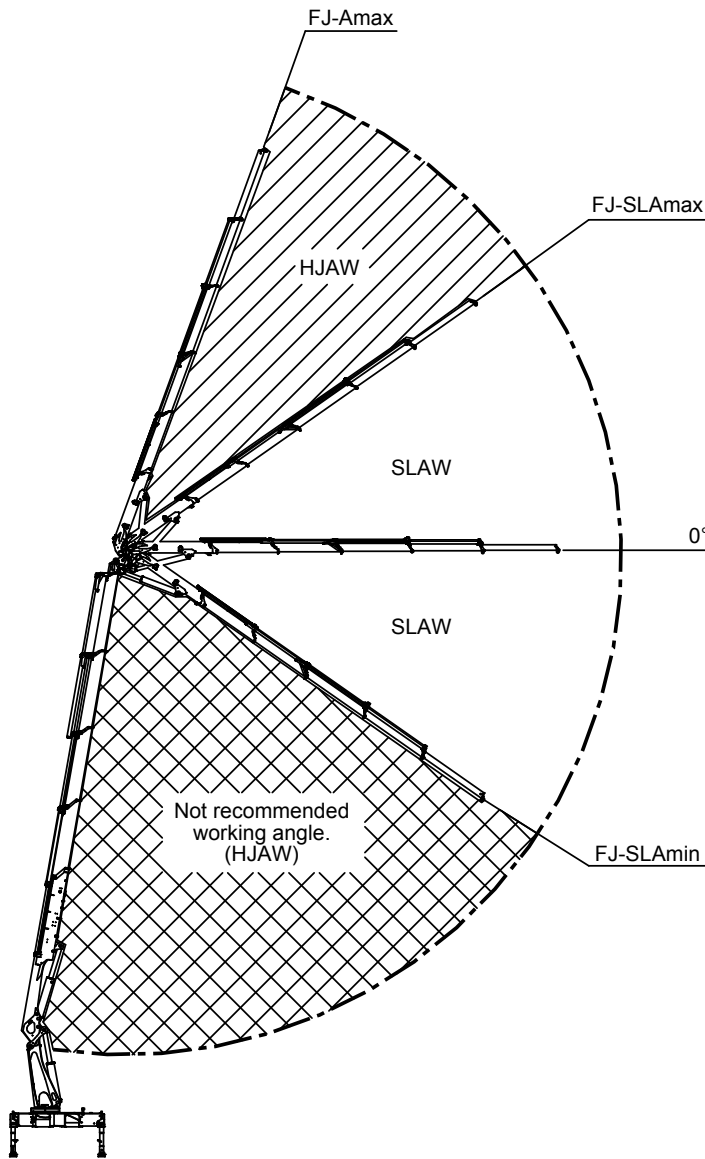


40 / 275 - Lifting Capacity with Winch (Metric)

Hydraulic hoist type	MAXW	MAXWD
Dinamic P9E	1500 kg 3305 lb	3000 kg 6610 lb
Dinamic P15E	2500 kg 5510 lb	5000 kg 11020 lb
Dinamic S 25 Brevini 2500	3200 kg 7050 lb	6400 kg 14100 lb

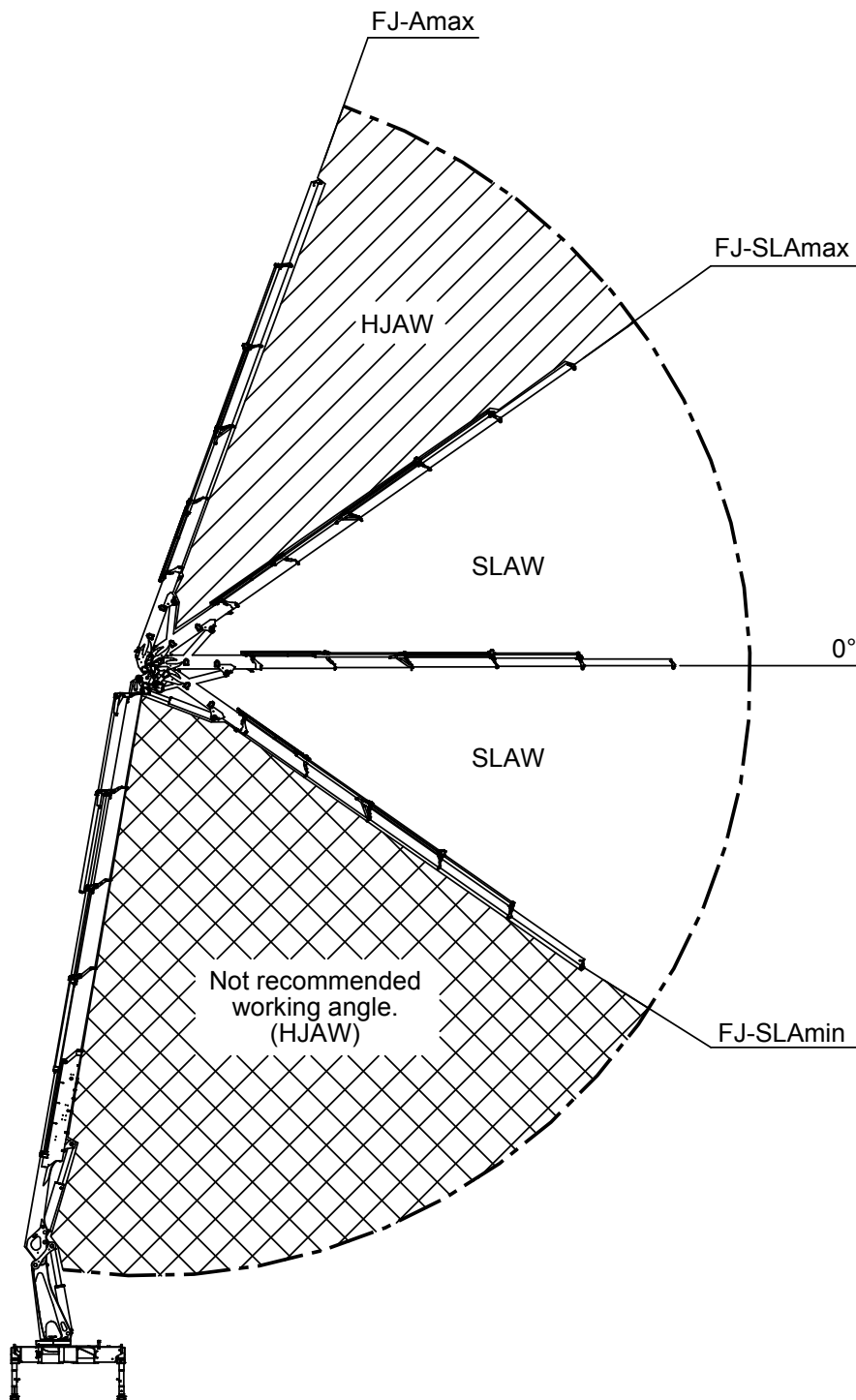


40 / 275 - Lifting Capacity, Fly-Jib with Winch



Lifting Capacity for Hoist	Maximum Angle	Recommended working area SLAW		Hydraulic Hoist Type					
				1500 kg Dinamic P9E		2500 kg Dinamic P15E		3200 kg Dinamic S25 Brevini 2500	
	<i>FJ-Amax</i>	<i>FJ-SL Amin</i>	<i>FJ-SL Amax</i>	<i>FJ-SL Amax</i>	<i>SLAW</i>	<i>HJAW</i>	<i>SLAW</i>	<i>HJAW</i>	<i>SLAW</i>
FJ1000	70°	-30°	30°	-	-	1543 lb	4079lb	-	-

40 / 275 - Lifting Capacity, Fly-Jib with Winch (Metric)



Lifting capacity for hoist	Max. angle	Recommended working area (SLAW)		Hydraulic hoist type					
				1500 kg (Dinamic P9E)		2500 kg (Dinamic P15E)		3200 kg (Dinamic S25 / Brevini 2500)	
				HJAW	SLAW	HJAW	SLAW	HJAW	SLAW
FJ1000	70°	FJ-SLAmin -30°	FJ-SLAmix 30°	—	—	700 kg	1850 kg	—	—

40 / 275 Hydraulics

Section - 3

40 / 275 - Pressure setting diagram, fixed flow pump & Danfoss RC

Working Pressure on Main-Relief Valve & Port- Relief Valves						
Function	Direction	Port	Port-relief valves [bar]	LS-pressure adjustment [bar]	Port-relief valves [PSI]	LS-pressure adjustment [PSI]
Main-relief valve						5655 psi (390 Bar)
Slewing system	Right	A	P	150	P	2175
	Left	B	P	150	P	2175
Boom cylinder	Up	A	380	365	5511	5293
	Down	B	125	100	1813	1450
Jib cylinder	Up	A	380	365	5511	5293
	Down	B	200	175	2901	2538
Extension cylinders	Extend	A	P	300	P	4351
	Retract	B	P	300	P	4351
Grab / Flyjib lift*	Up	A	300	50-300	4351	725-4351
	Down	B	300	50-300	4351	725-4351
Rotator / Fly-jib ext. cylinders*	Extend	A	P	50-300	P	725-4351
	Retract	B	P	50-300	P	725-4351
Winch 3.2T	Lift	A	P	210	P	3045
	Lower	B	P	210	P	3045
Winch 2,5T	Lift	A	P	185	P	2683
	Lower	B	P	185	P	2683
Separate stabilizer valve		All	2175 psi (150 Bar)			

Working Pressure on Load-holding Valves			
Function	Direction	Opening pressure [bar]	Opening pressure [PSI]
Slewing system	Right	160	2320
	Left	160	2320
Boom cylinder	Up	380	5511
	Down	-	-
Jib cylinder	Up	380	5511
	Down	210	3045
Extension cylinders	Retract	430	6236
	Extend	210	3045

Pressure setting for Load Moment Limitation (LMB)		
Load moment limitation (LMB)	350 [Bar]	5076 [psi]
HDL	280 [Bar]	4061 [psi]

Max. pump performance		
Choice of pump	Fixed	Variable
Pump performance	80 (L/min)	21 (gpm)

IMT reserves the right to introduce improvements and modifications

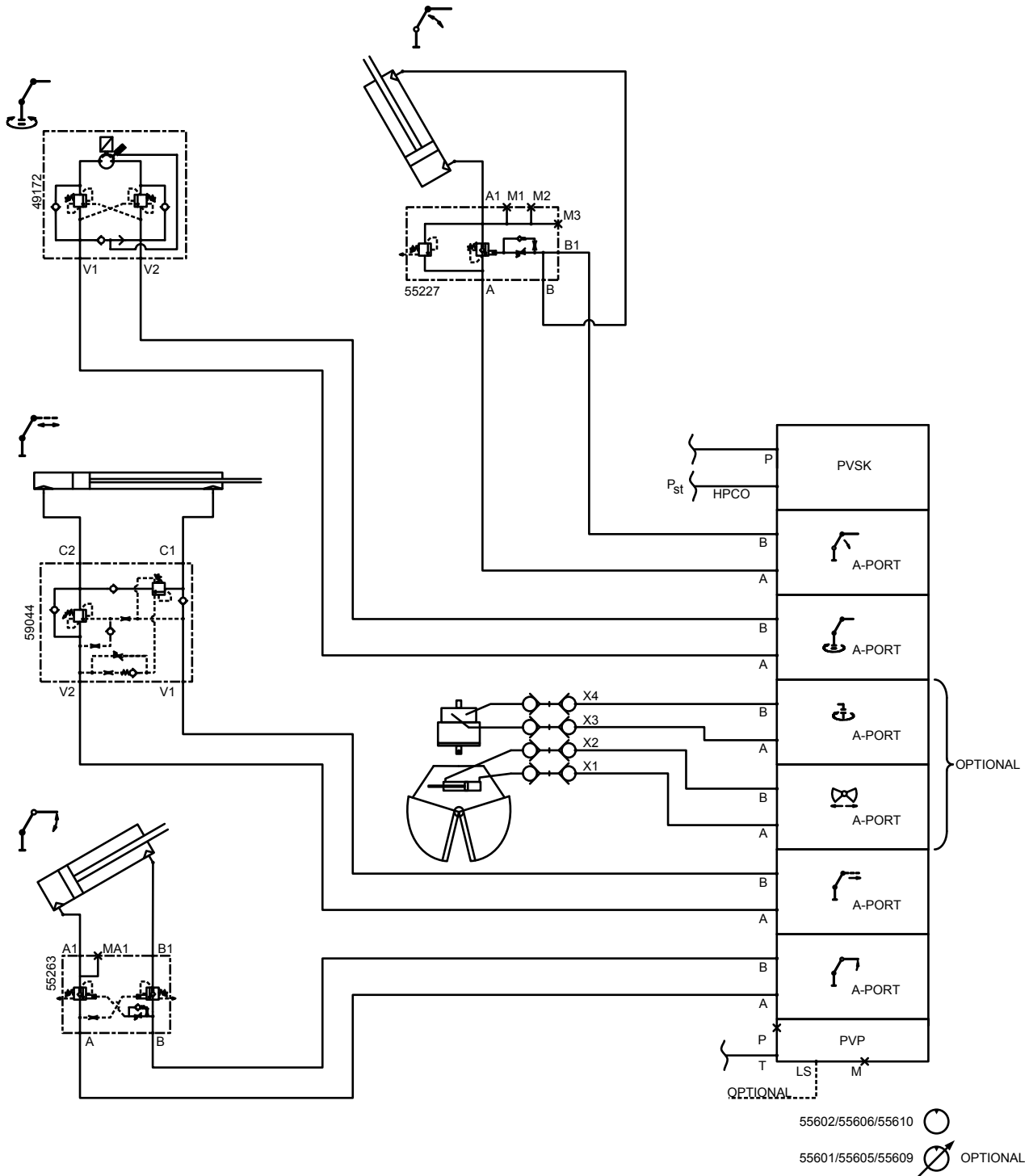
40 / 275 - Working Pressure for Fly-Jib

Function		Direction	Port	40 / 275-K6	40 / 275-K7
				FJ600 (psi)	FJ1000 (psi)
Jib Cylinder	LS-pressure adjustment	Up	A	4568	4568
		Down	B	3626	3626
	Port-relief valves	Up	A	5076	5076
		Down	B	4351	4351
Working Pressure on Load-holding Valves	Up		5221	5221	
	Down		4206	4206	
Extension Cylinder	LS-pressure adjustment	Extend	A	4351	4351
		Retract	B	4351	4351
	Working Pressure on Load-holding Valves.	Extend		3045	3045
		Retract		6236	6236
Load moment limitation (LMB)		-	-	4351	4351

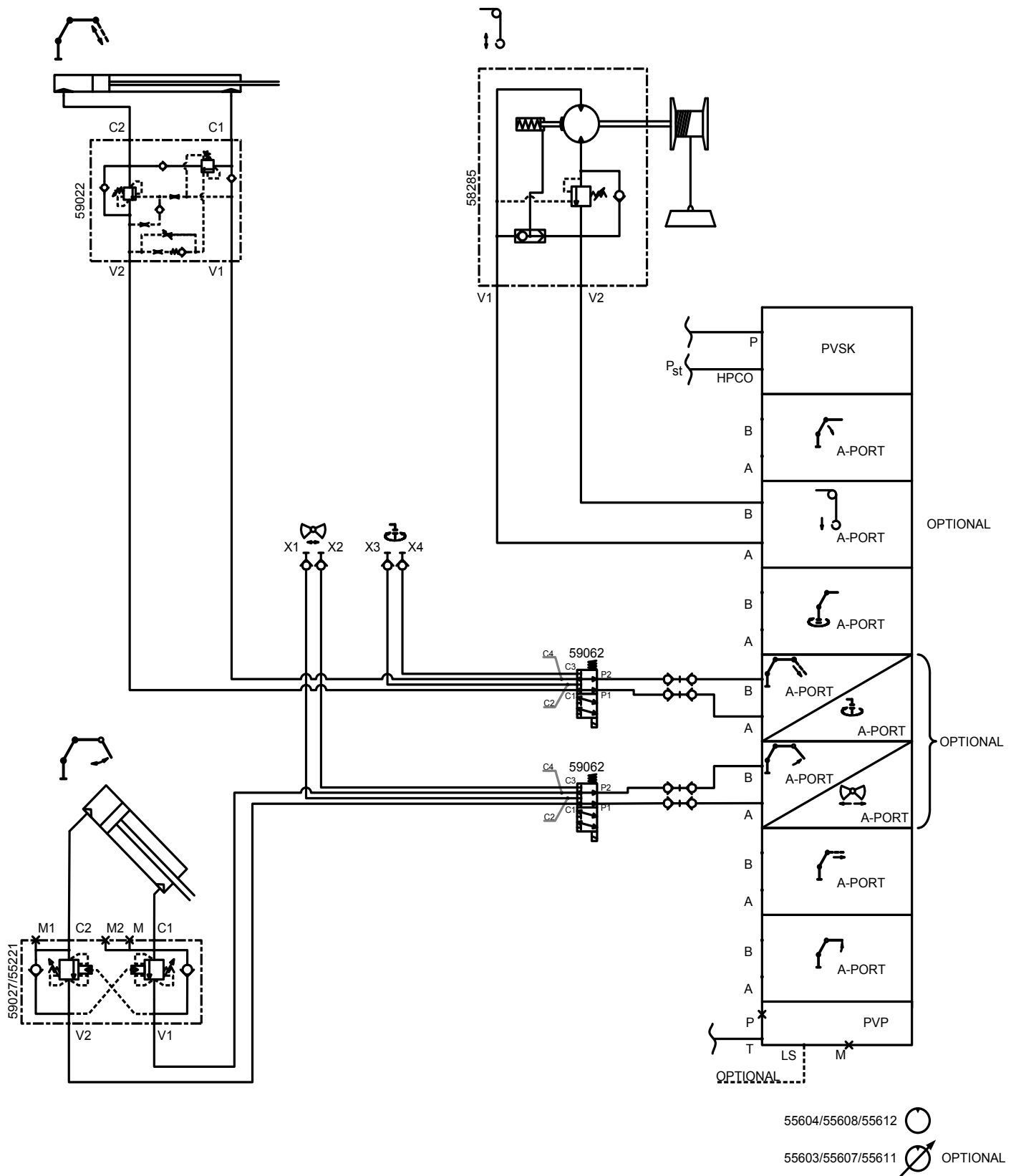
40 / 275 - Working Pressure for Fly-Jib (Metric)

Function		Direction	Port	40 / 275-K6	40 / 275-K7
				FJ600 (Bar)	FJ1000 (Bar)
Jib Cylinder	LS-pressure adjustment	Up	A	315	315
		Down	B	250	250
	Port-relief valves	Up	A	350	350
		Down	B	300	300
Working Pressure on Load-holding Valves	Up		360	360	
	Down		290	290	
Extension Cylinder	LS-pressure adjustment	Extend	A	300	300
		Retract	B	300	300
	Working Pressure on Load-holding Valves.	Extend		210	210
		Retract		430	430
Load moment limitation (LMB)		-	-	300	300

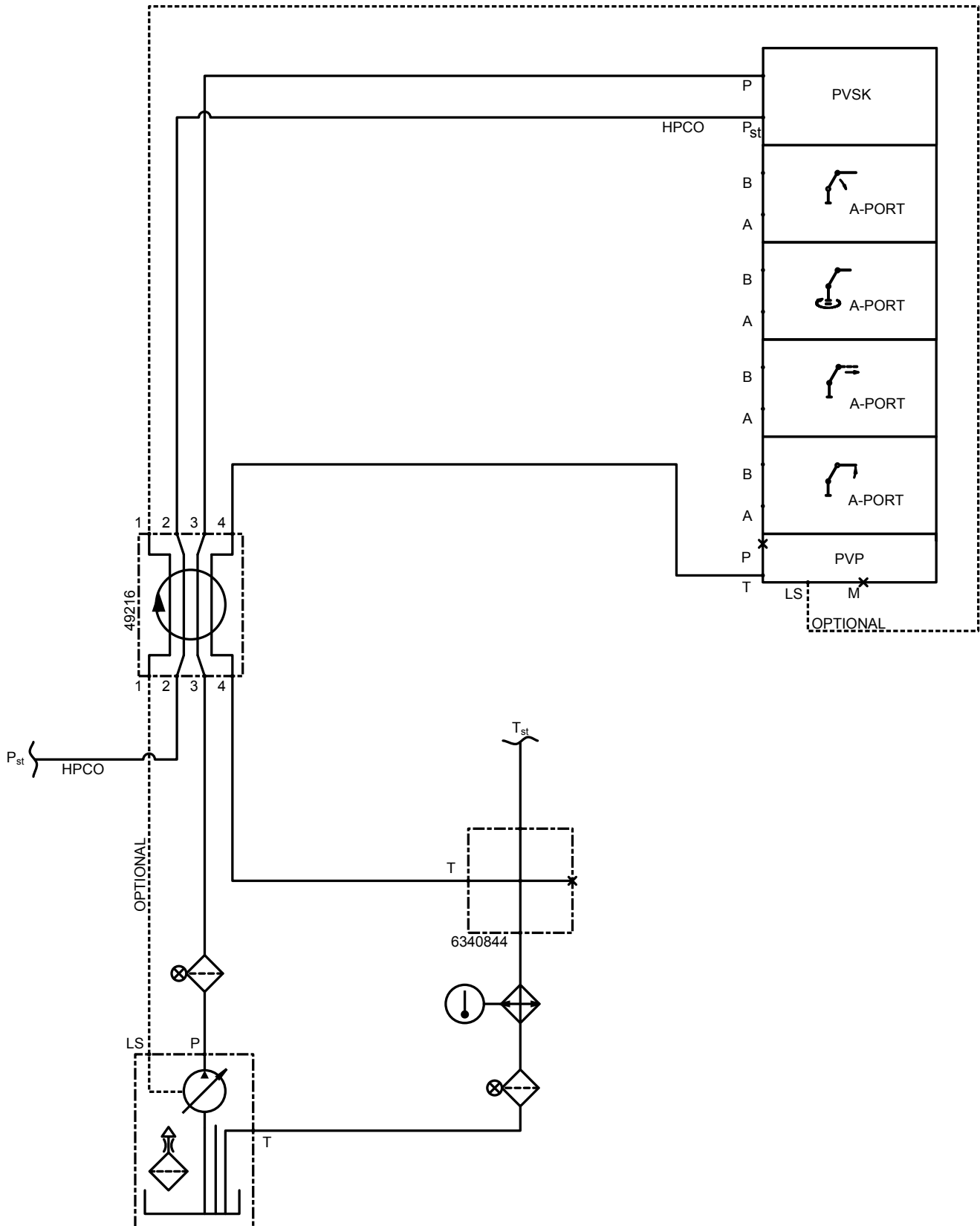
40 / 275 - Hydraulic Diagram - Danfoss, Single-Circuit Crane Functions



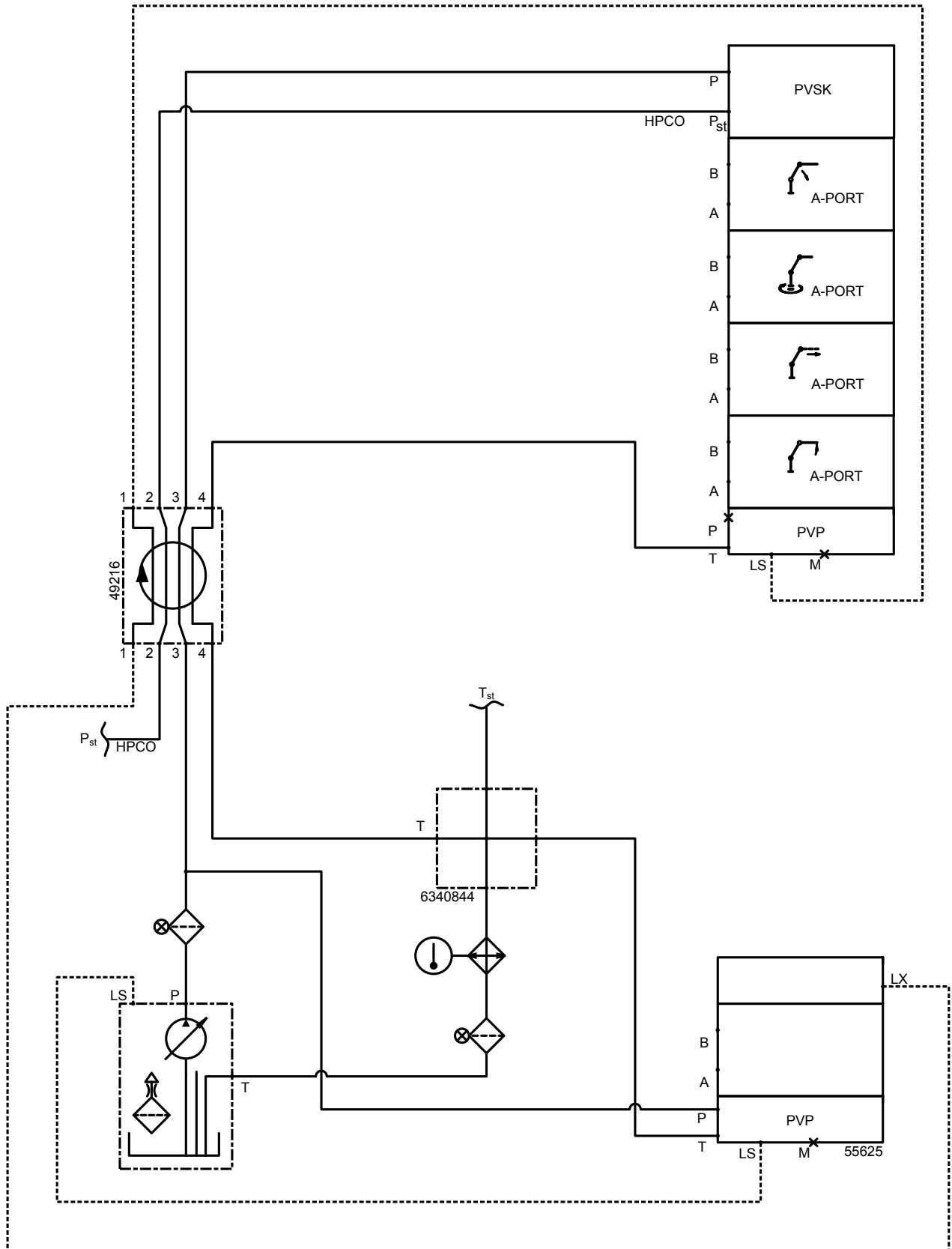
40 / 275 - Hydraulic Diagram - Danfoss, Single-Circuit FJ with EXV + Winch



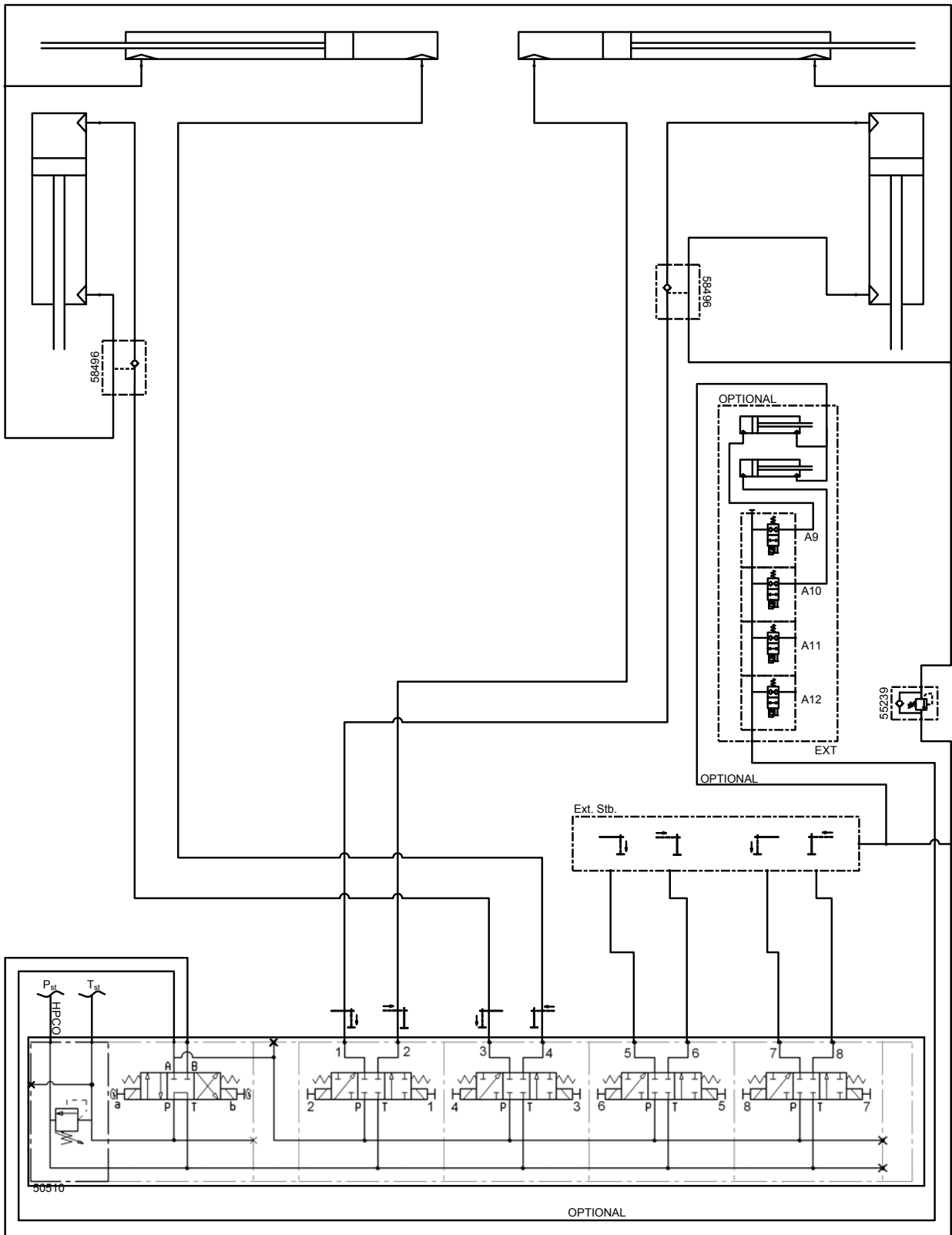
40 / 275 - Hydraulic Diagram - Danfoss, Single Circuit Variable & Fixed.



40 / 275 - Hyd. Diagram - Danfoss, Single-Circuit, 1 extra Danfoss fcts.



40 / 275 - Hyd. Diagram - Hyd Diagram-Stabilizer Circuit, 4 Available fcts.

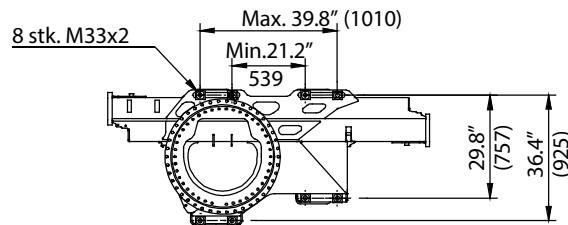
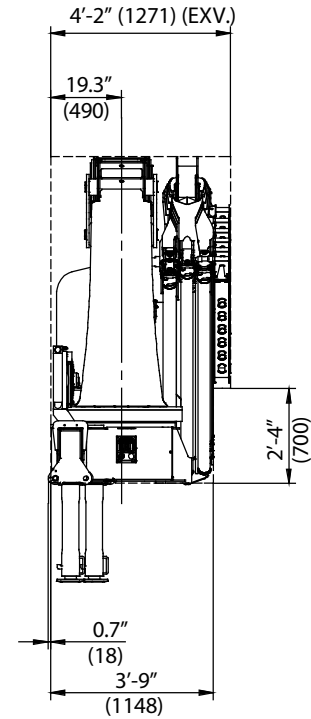
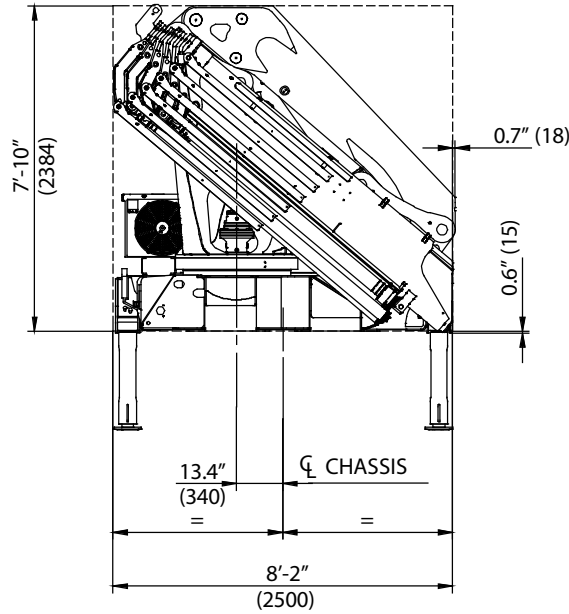
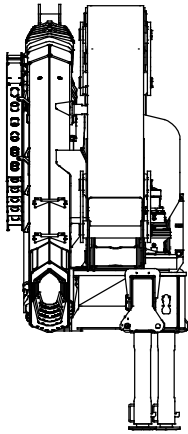
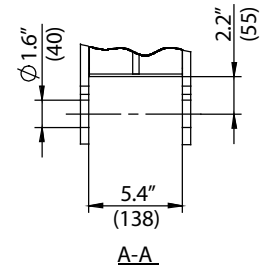
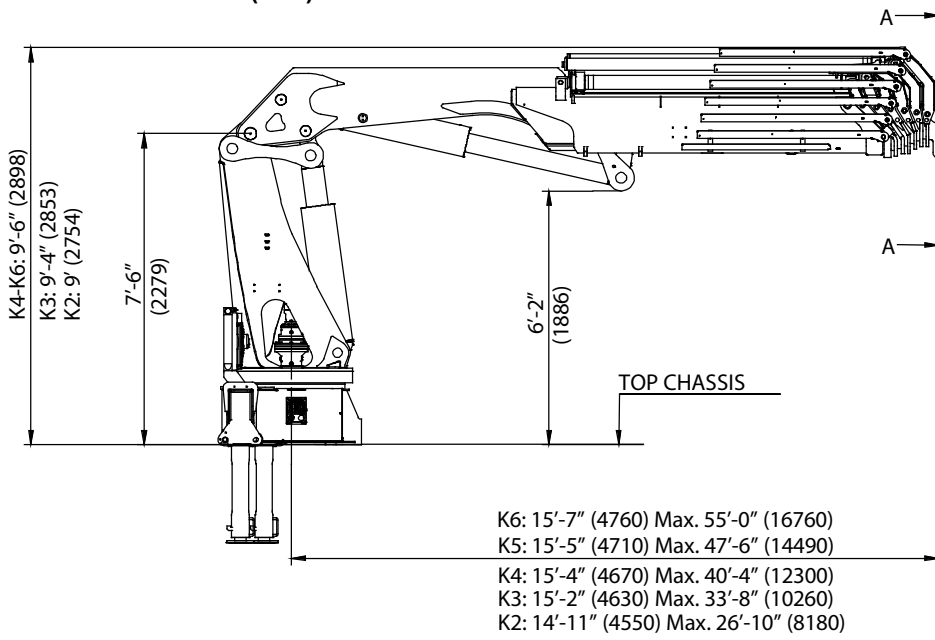


40 / 275 - Dimension Drawings

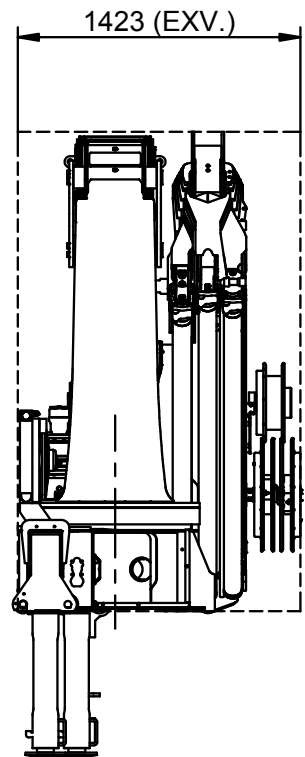
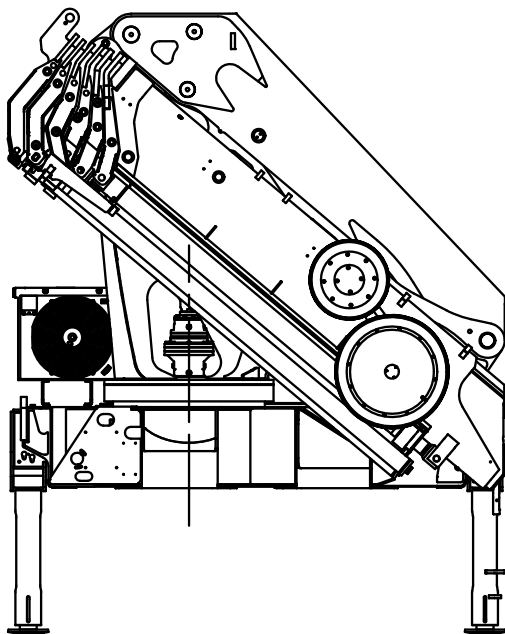
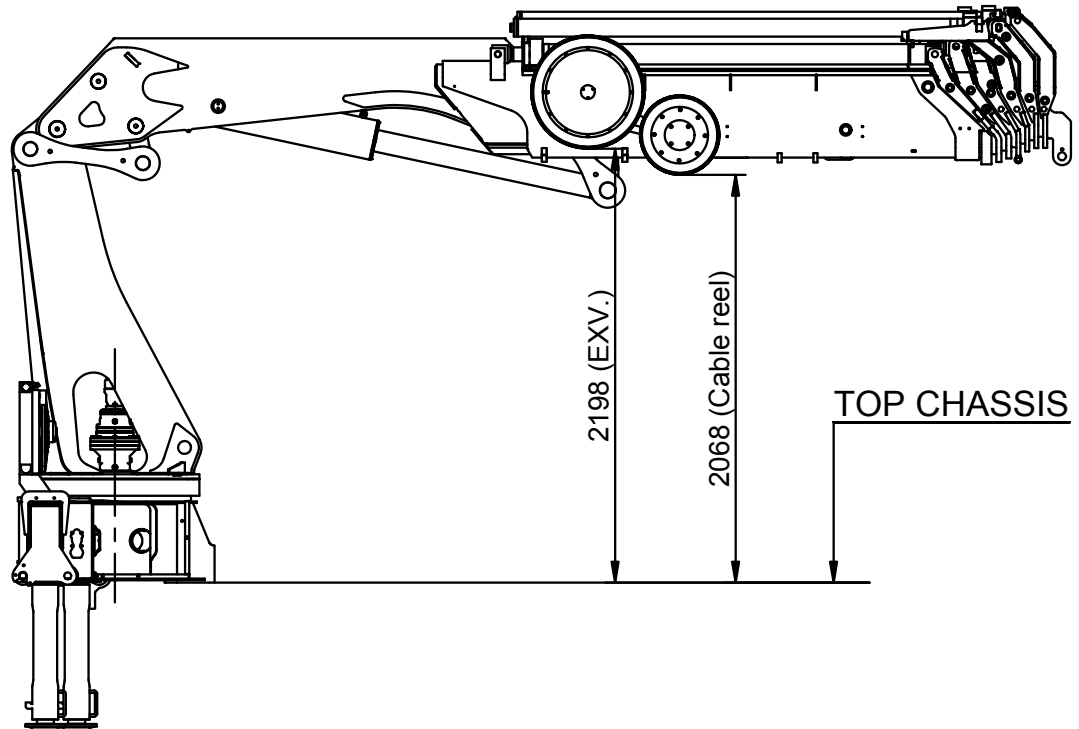
Section - 4

40 / 275 - Dimension Sketch - K2-K6

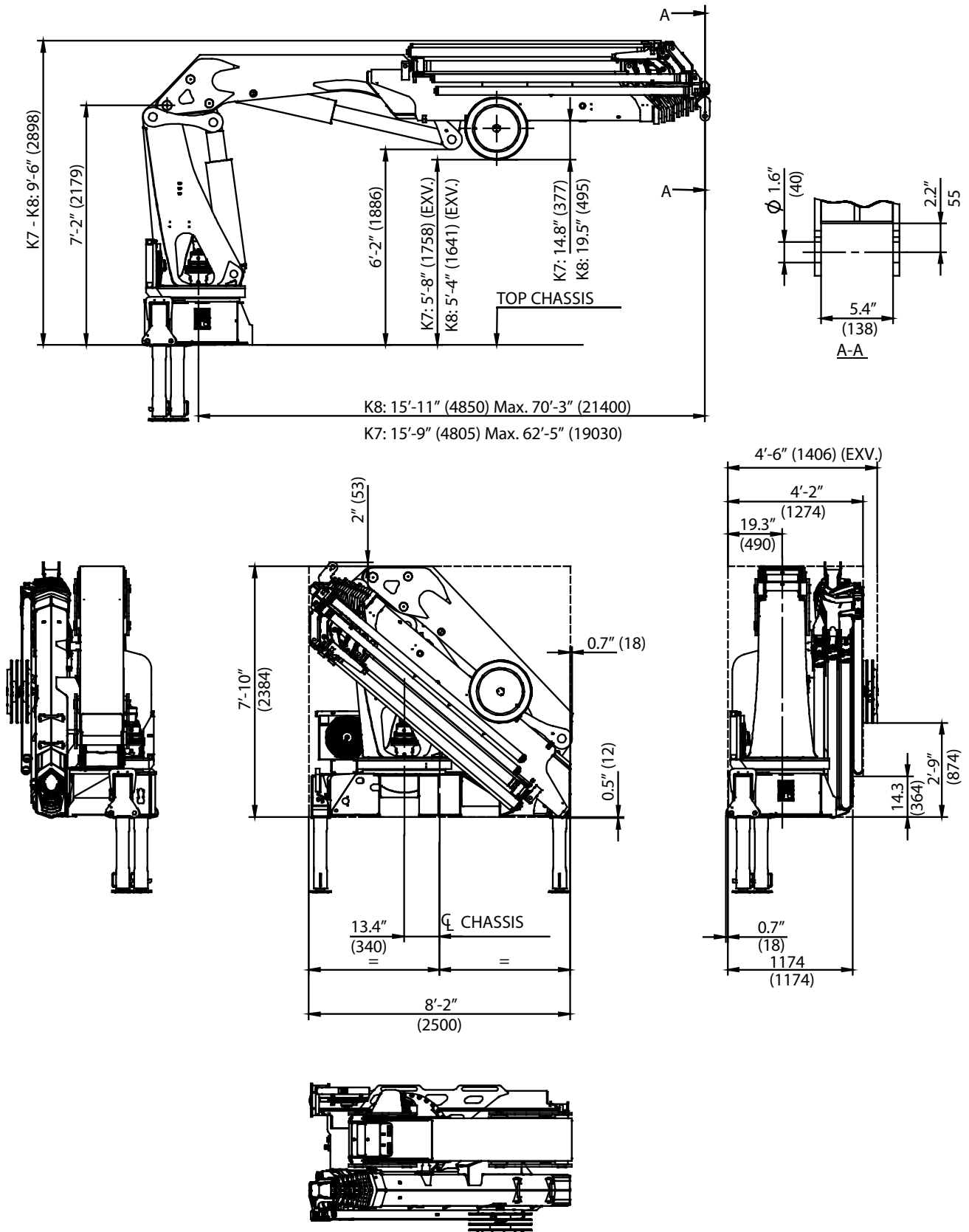
Dimensions in ft-in (mm).



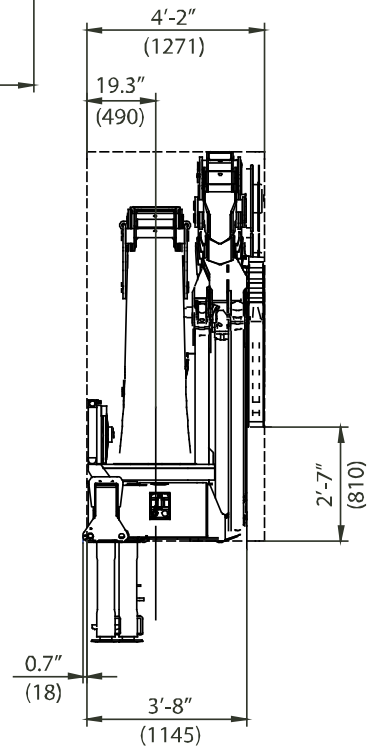
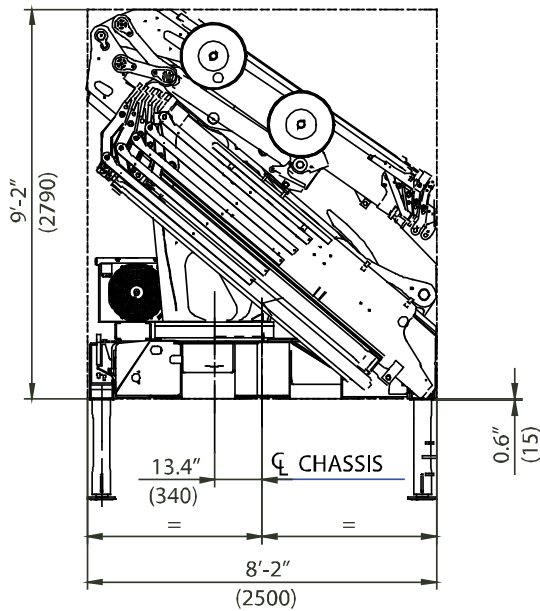
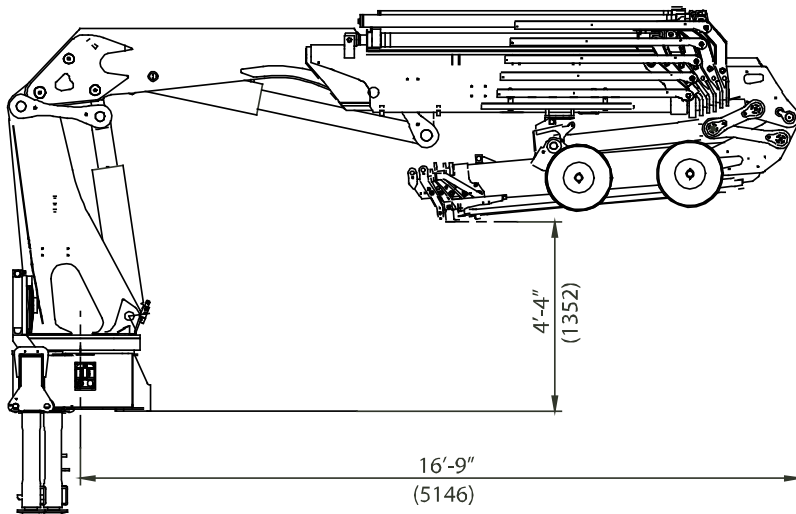
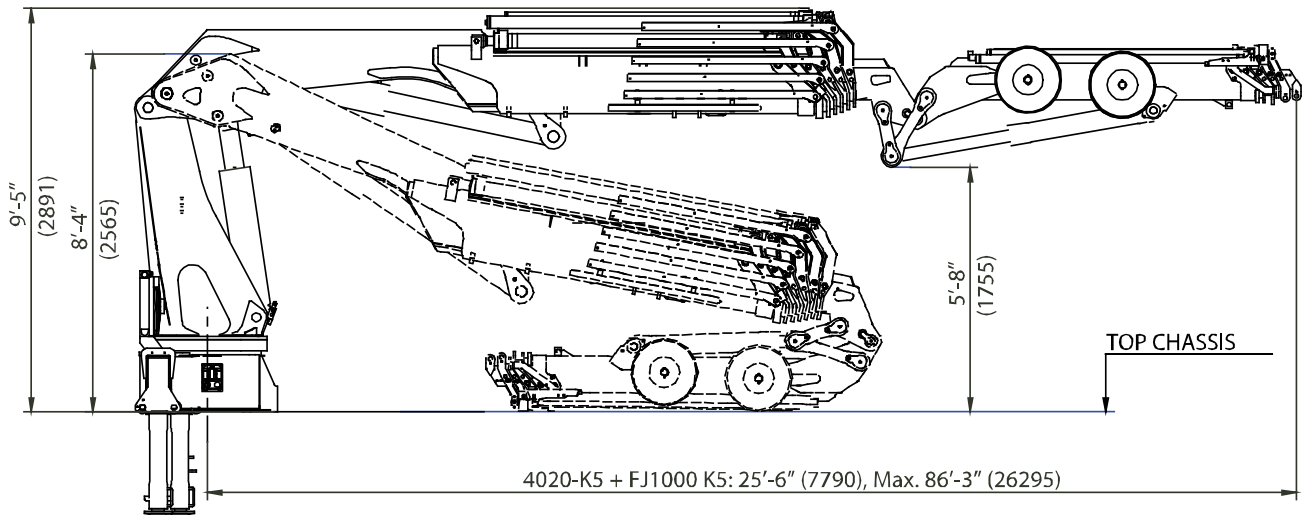
40 / 275 - Dimension Sketch K4-K6



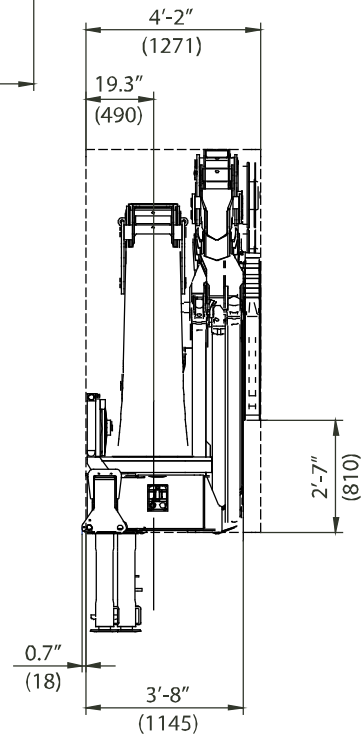
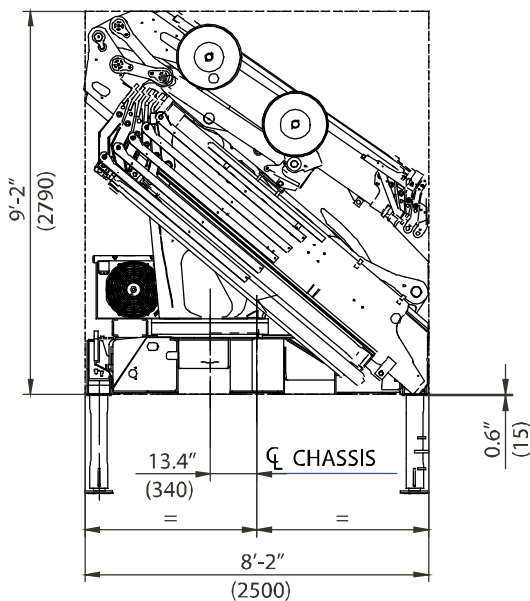
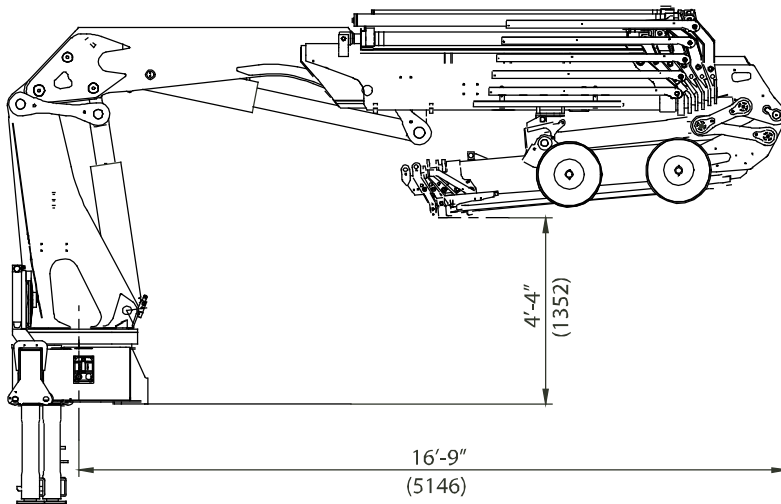
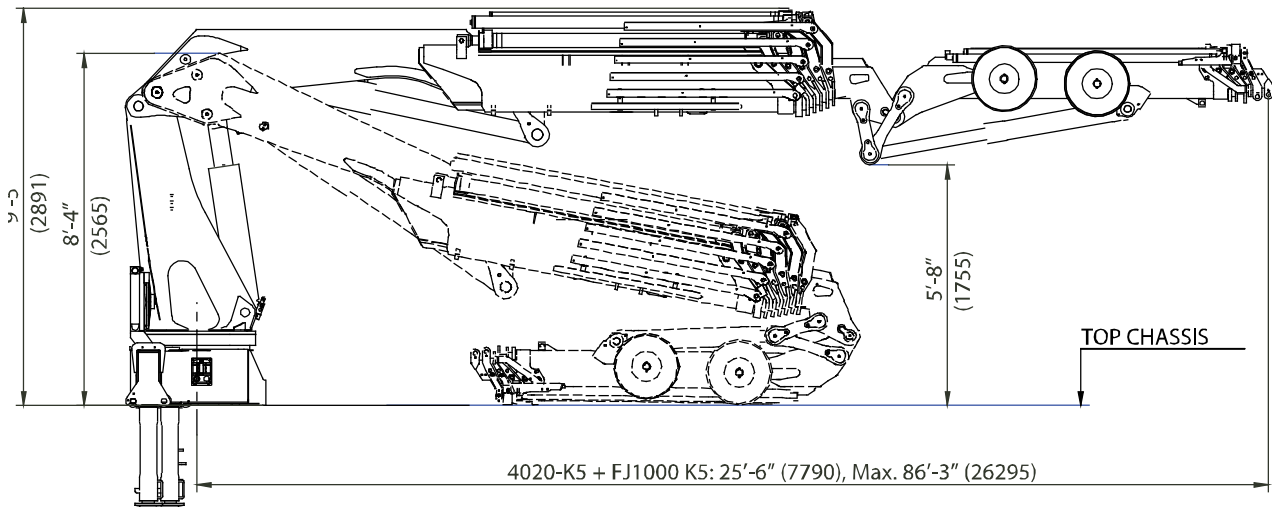
40 / 275 - Dimension Sketch K7-K8



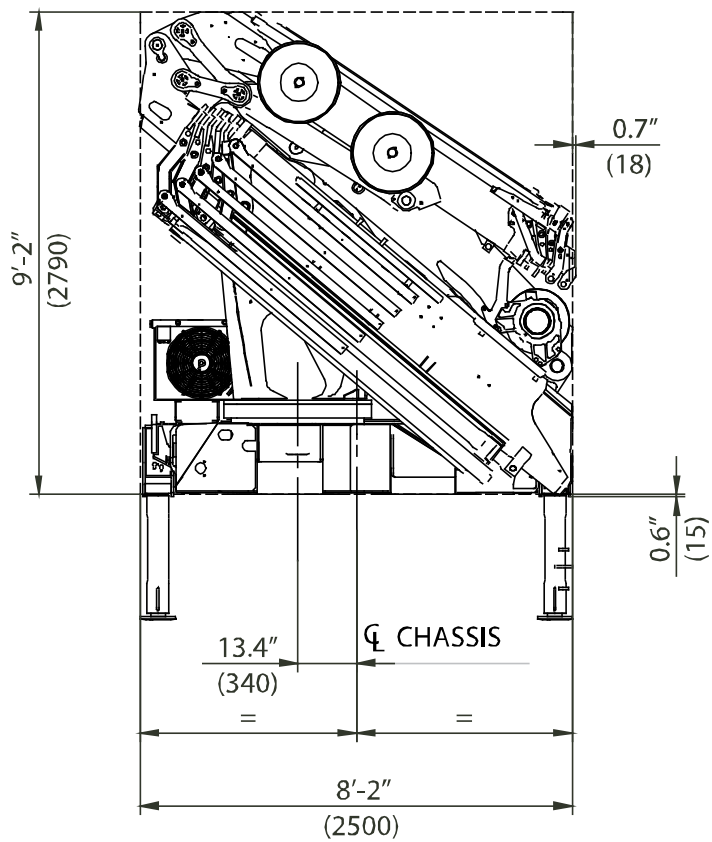
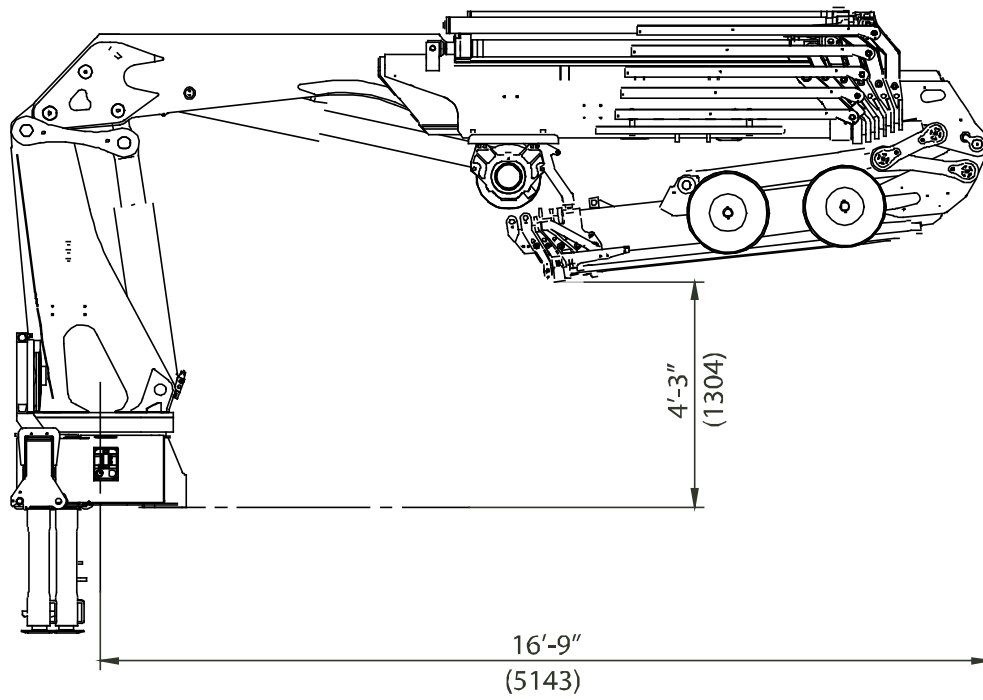
40 / 275 - K5 with FJ1000 Dimensional Drawing



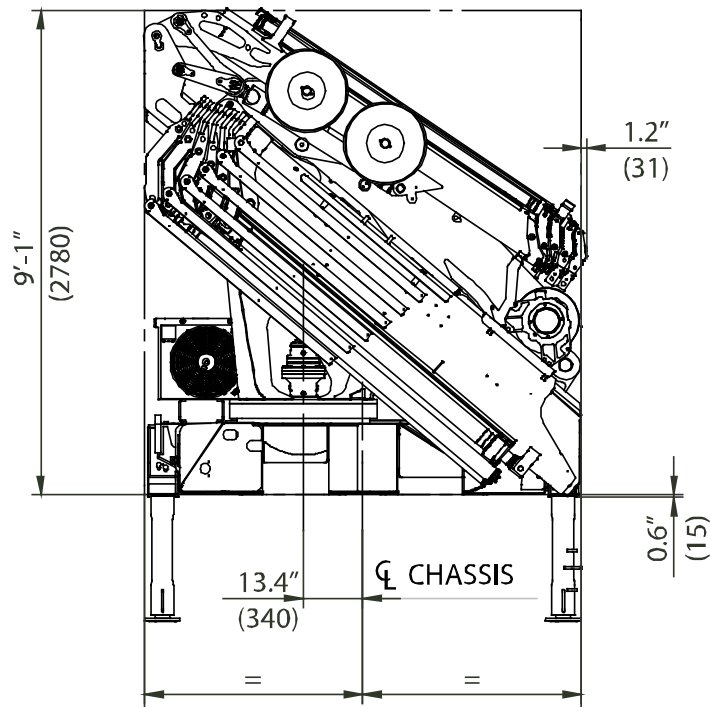
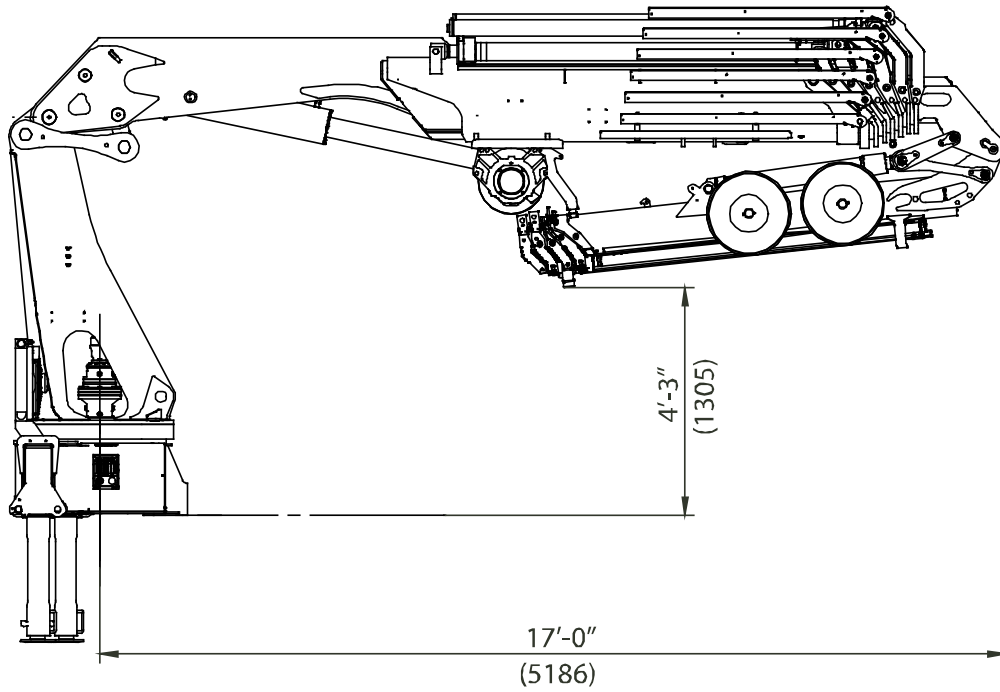
40 / 275 - K5 with FJ1000 with Winch Dimensional Drawing



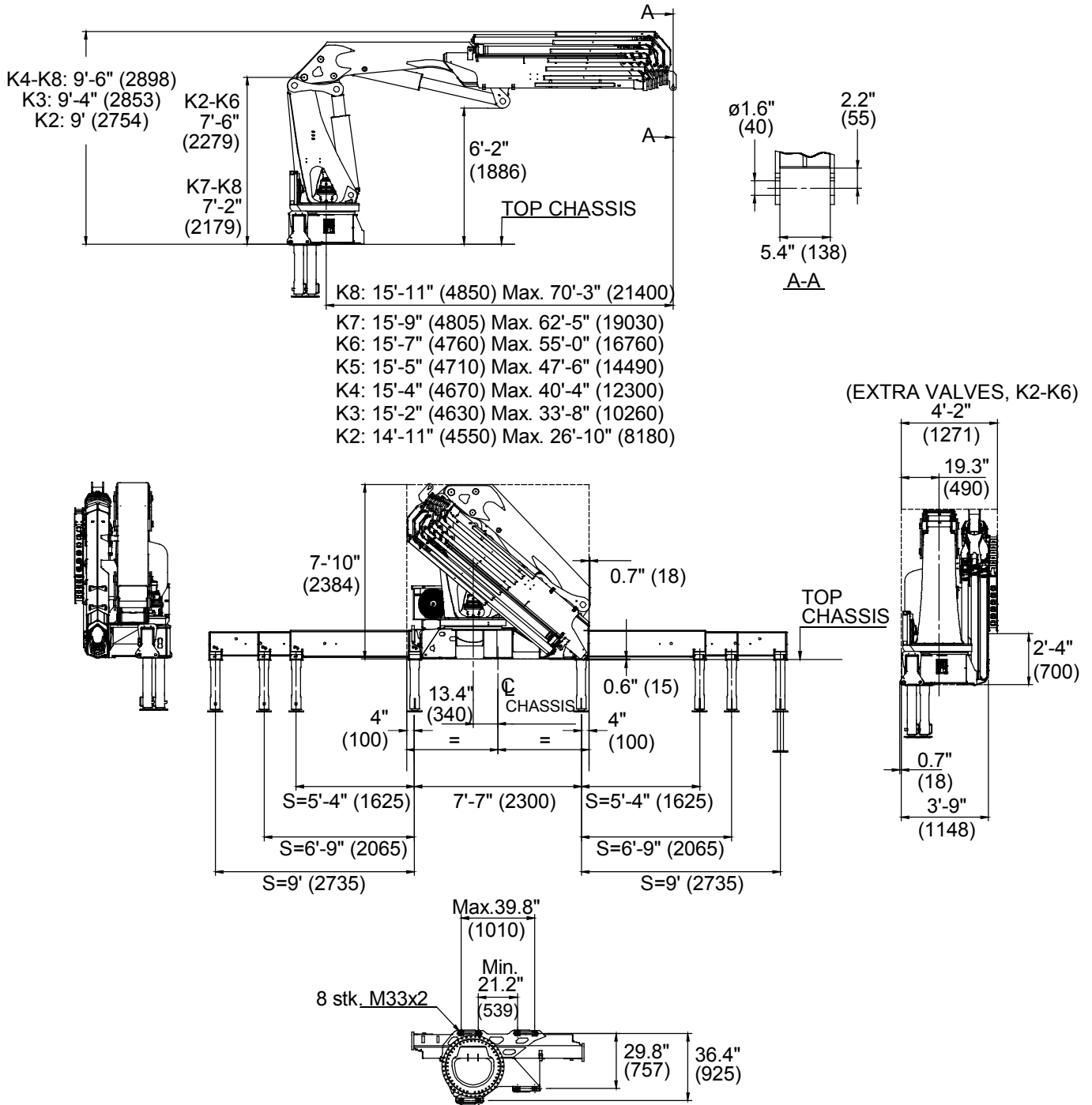
40 / 275 - K6 with FJ600 Dimensional Drawings



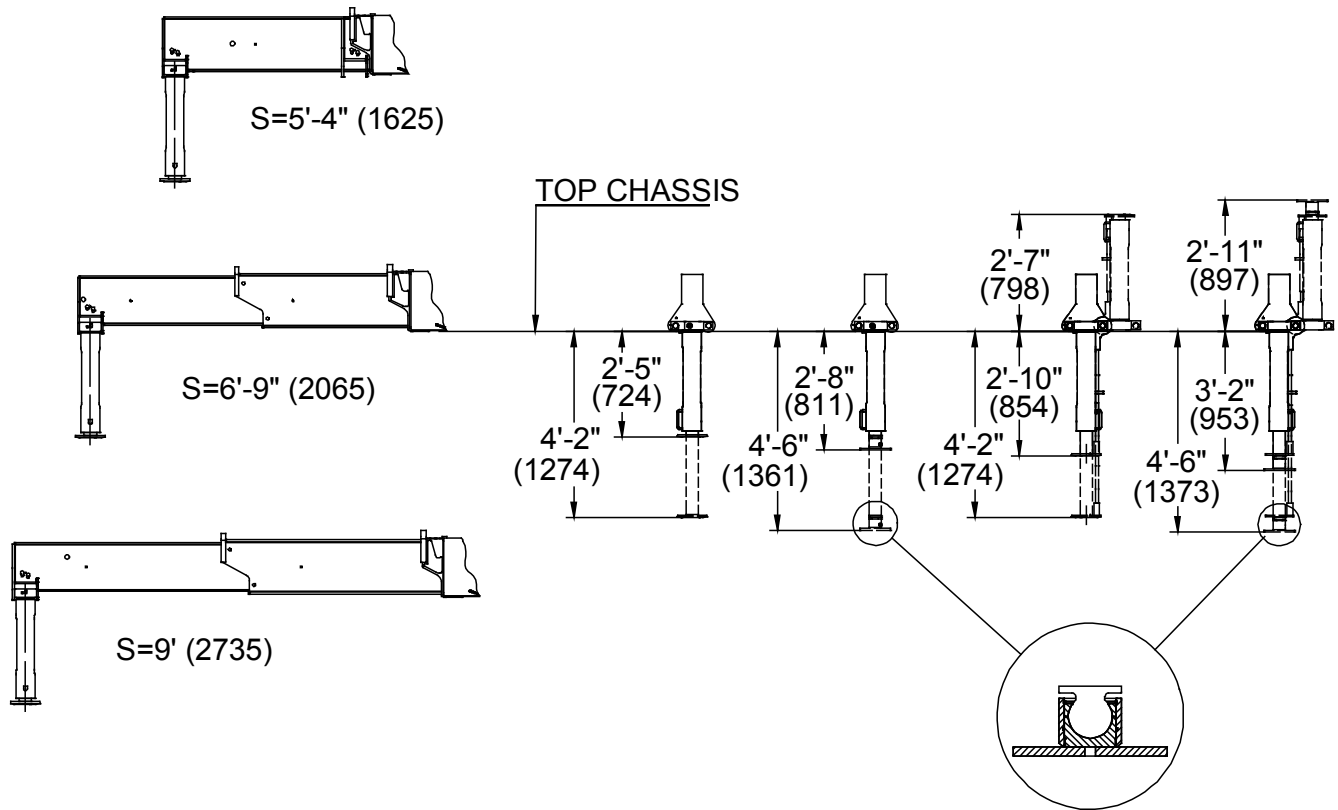
40 / 275 - K6 FJ600 with Winch Dimensionl Drawing



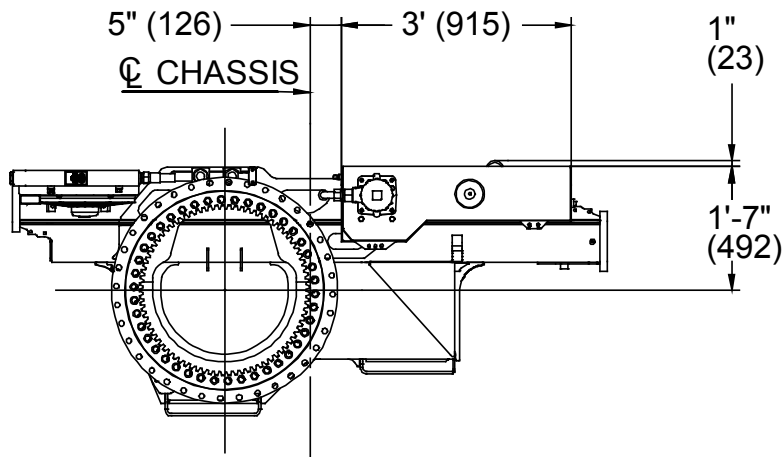
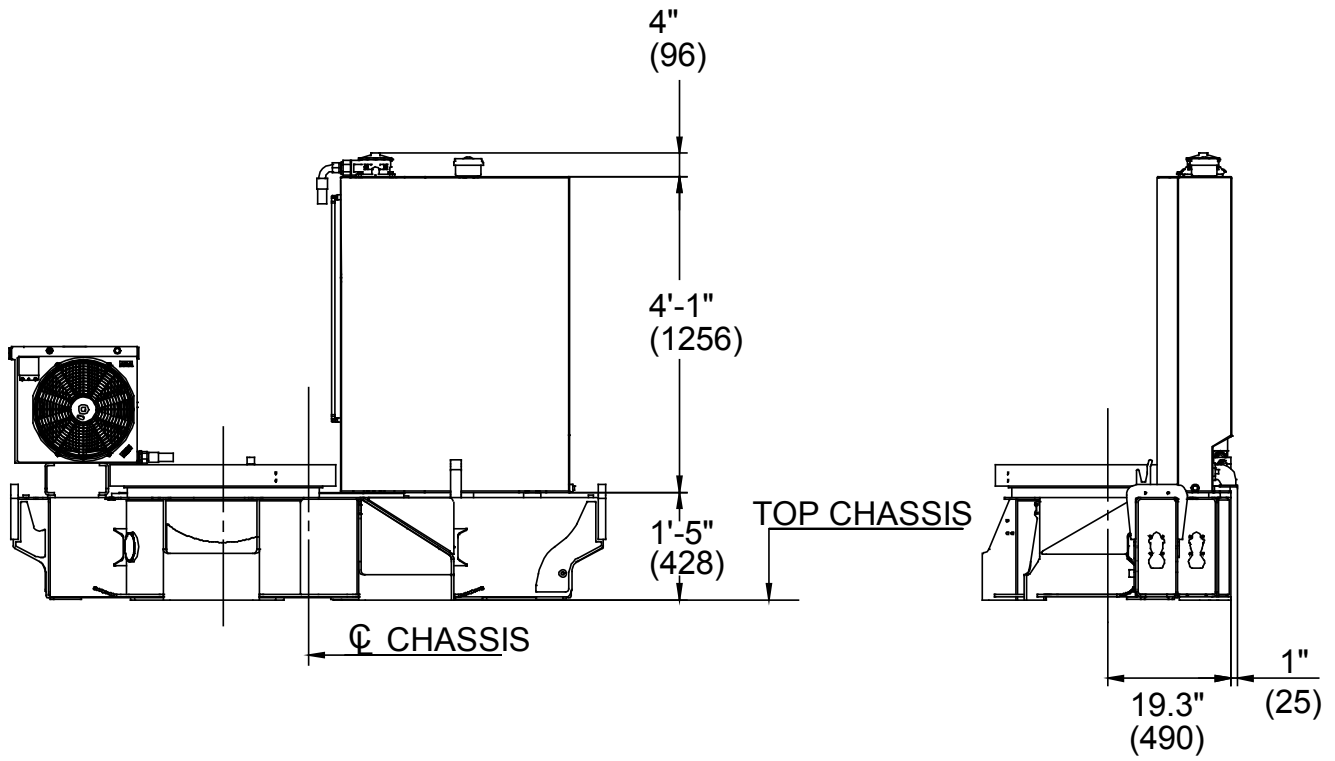
40 / 275 - Dimensional Drawing



40 / 275 - Stabilizer Drawing

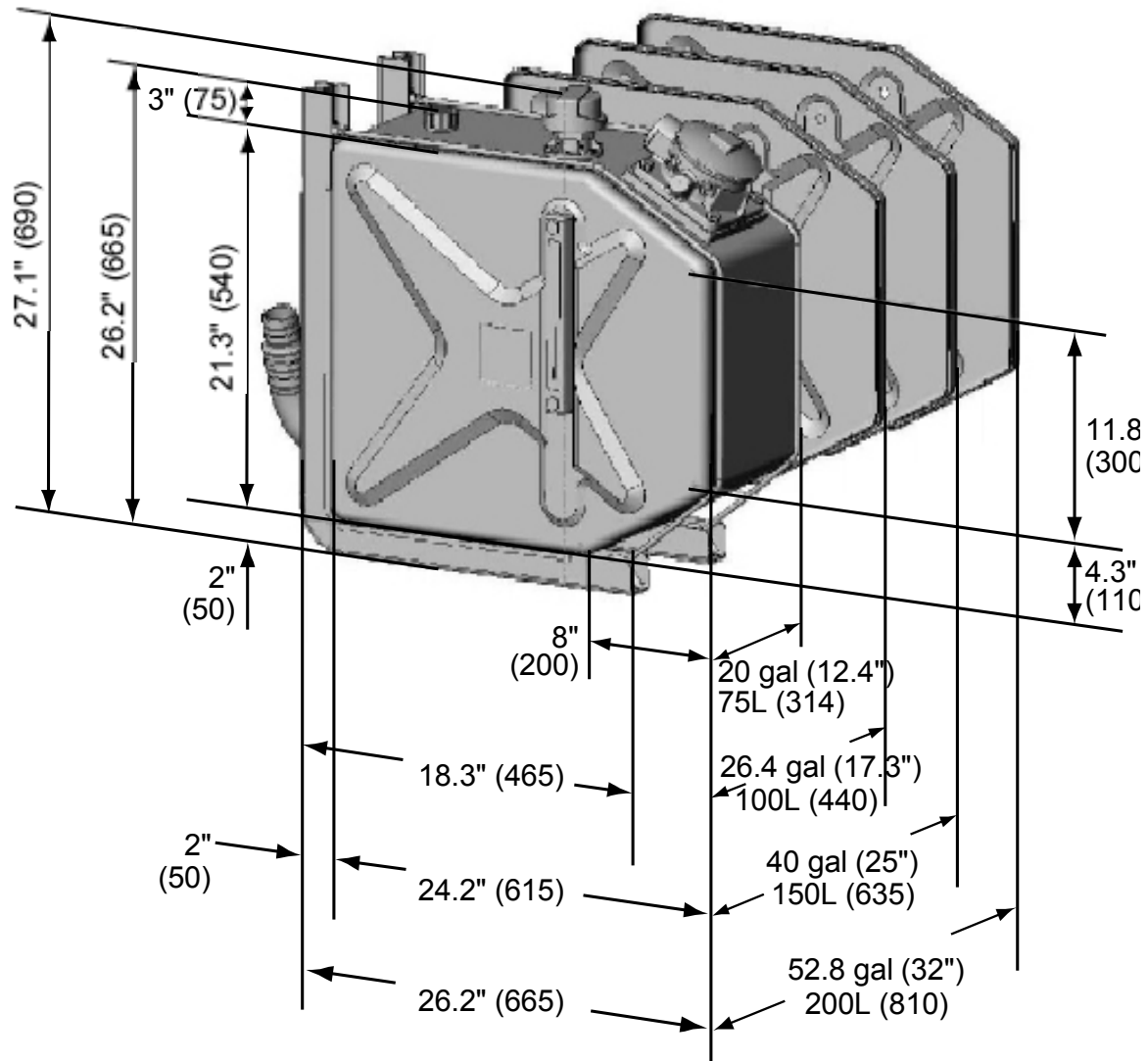


40 / 275 - Tank Dimensions



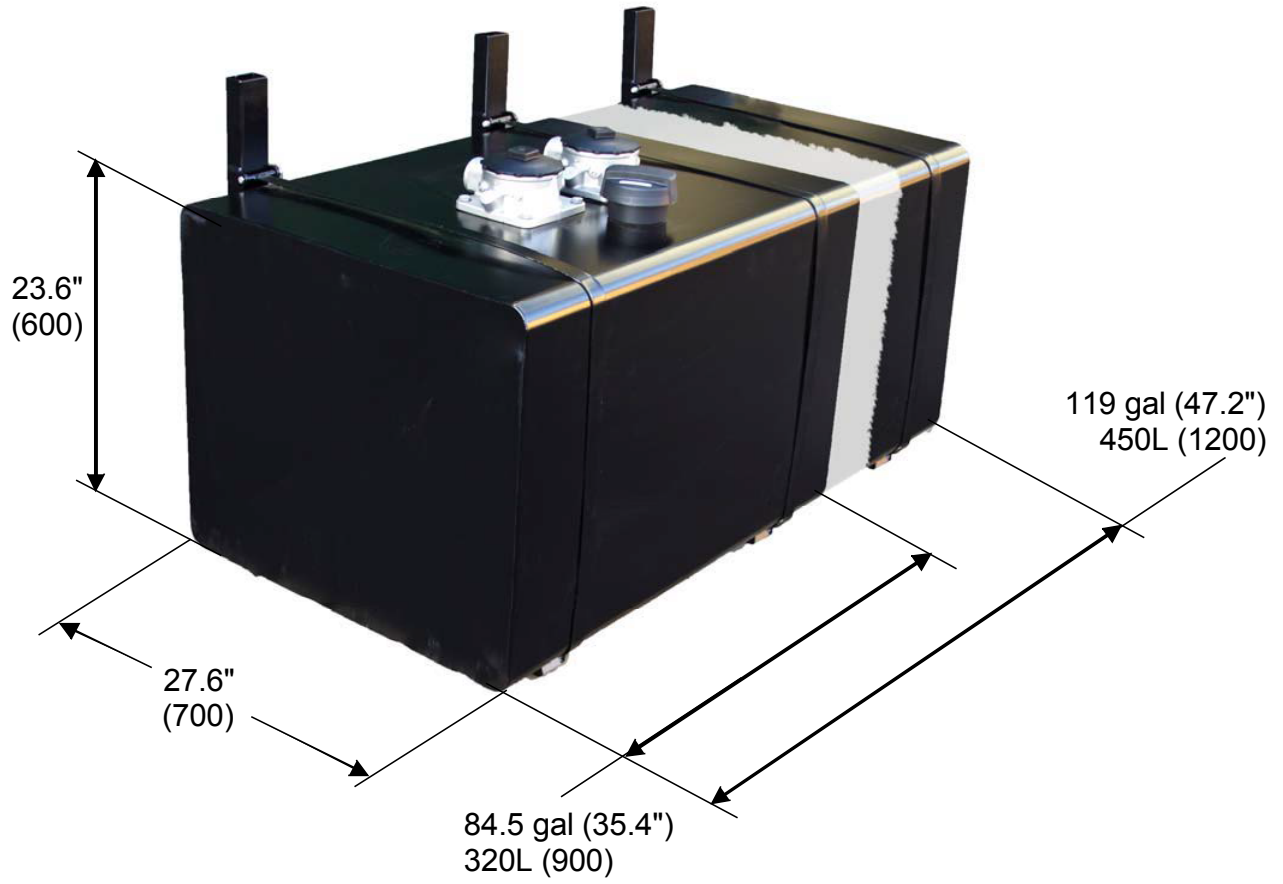
40 275 - Chassis Mounted Tank Dimensions

20-53 Gallon (75-200L) Tanks

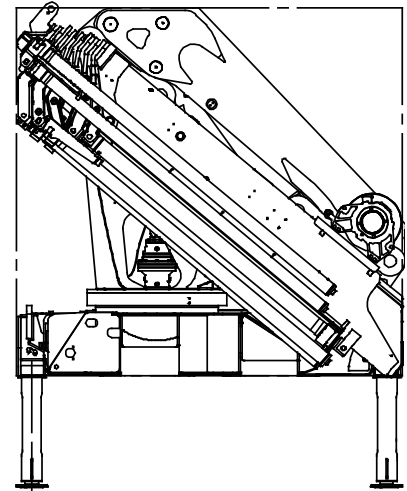
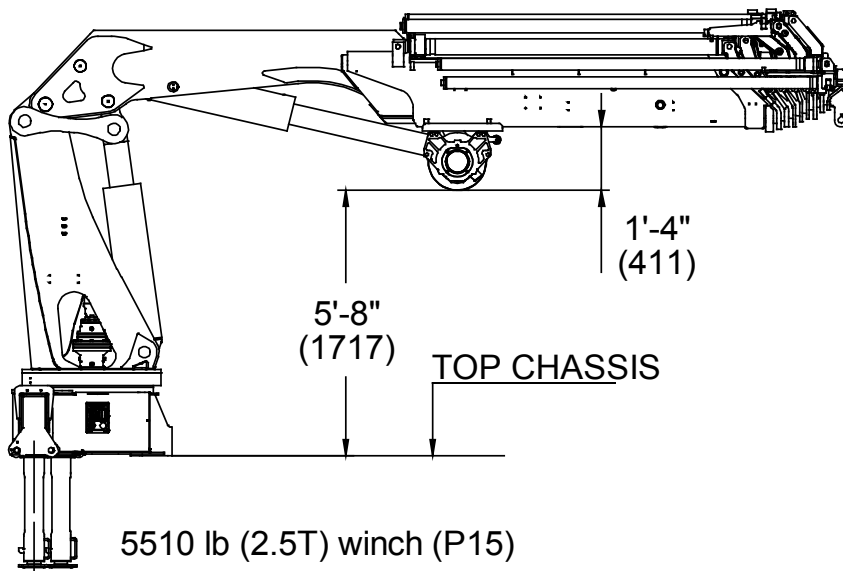
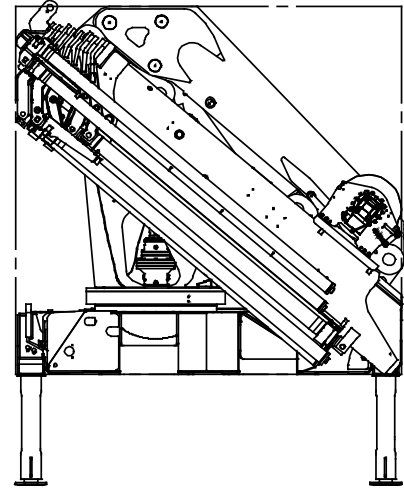
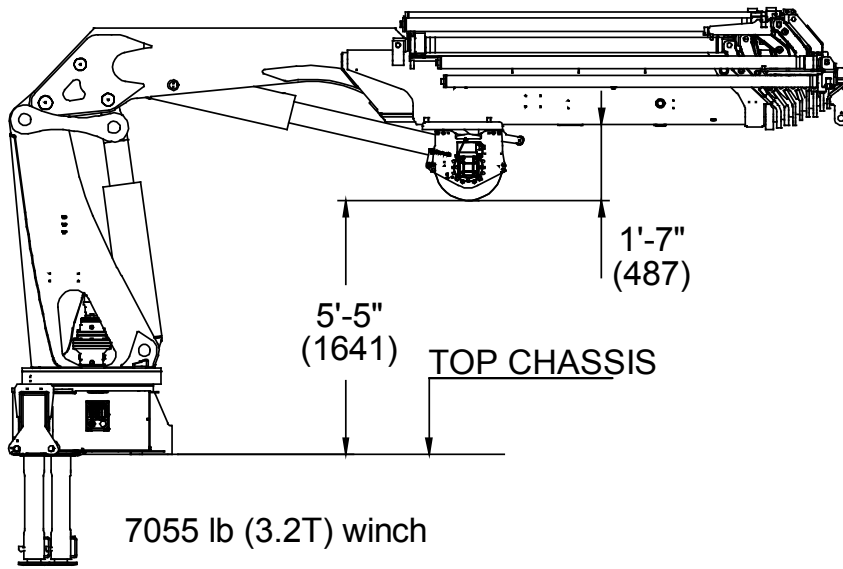


- Side-mounted chassis tanks include tank suspension, filters, suction socket and oil indicator.
- Option right or left-side fitting.
- Suction socket for 2" and 2-1/2" suction hoses.
- Tank lengths include oil level indicator.
- Larger tanks include 2 return filters.

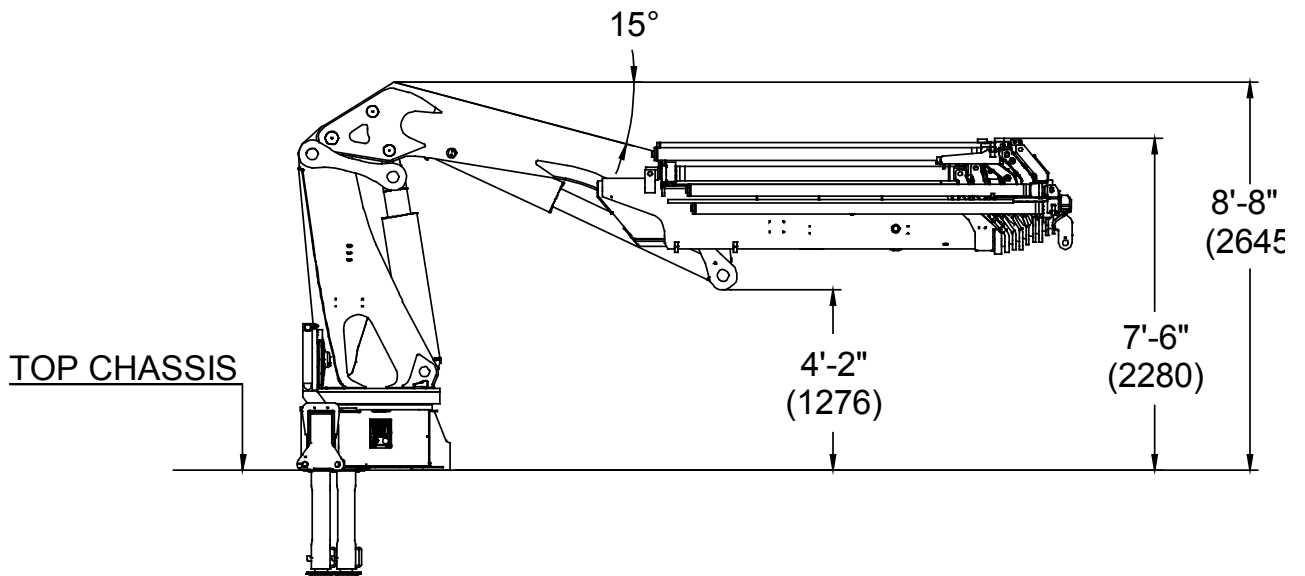
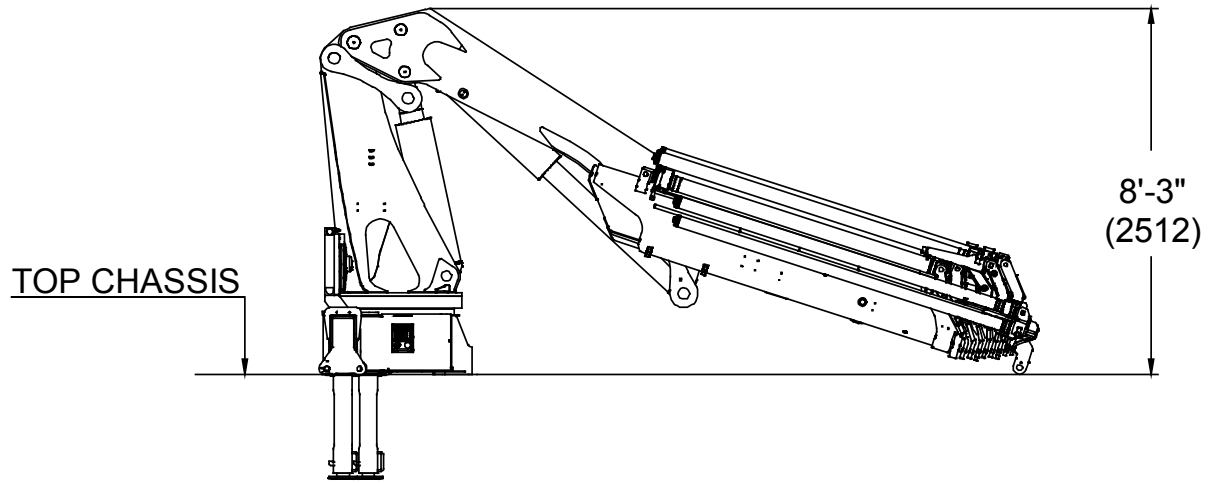
40 / 275 - 84.5-119 Gallon Tanks



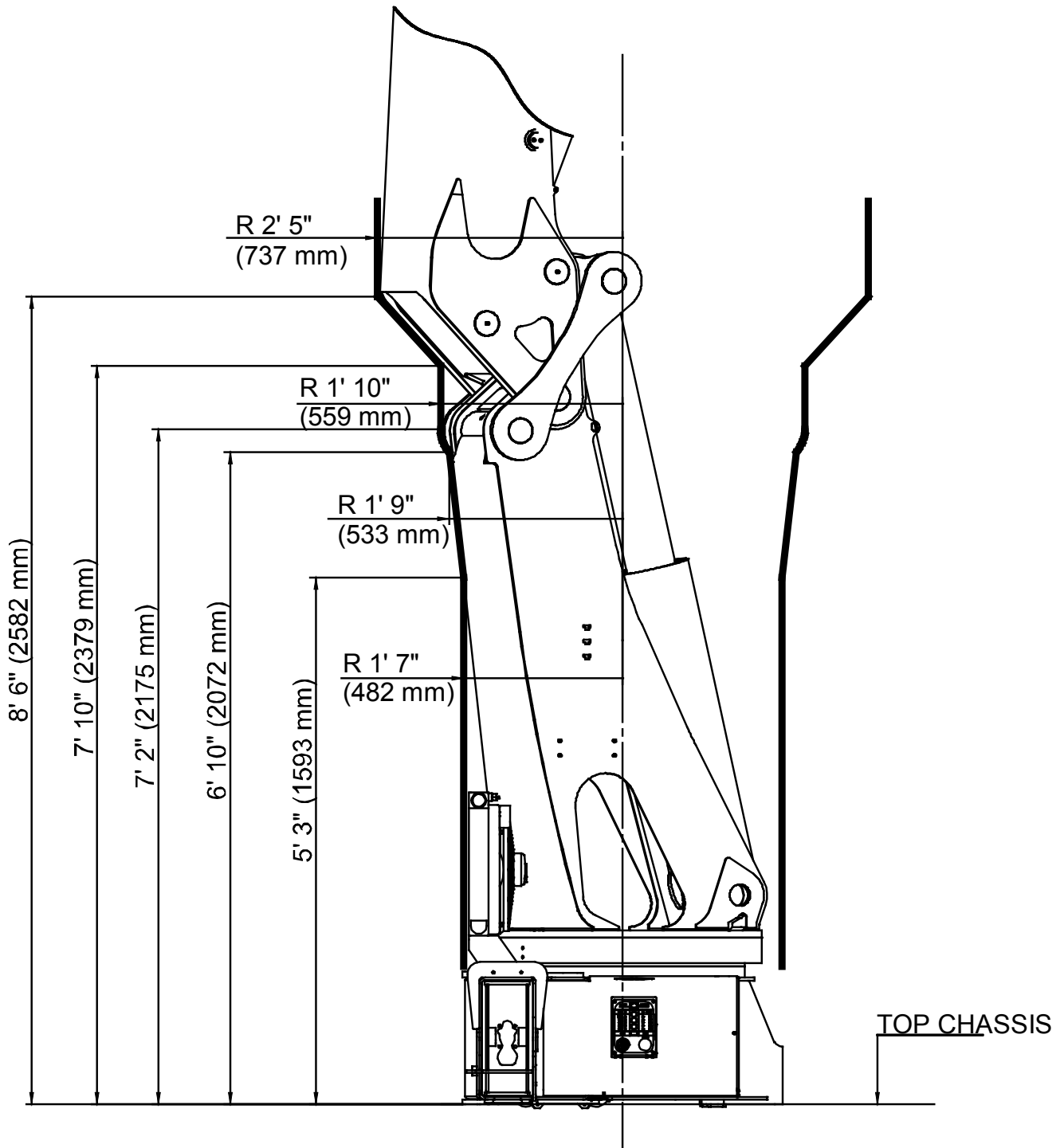
40 / 275 - Winch Dimensions



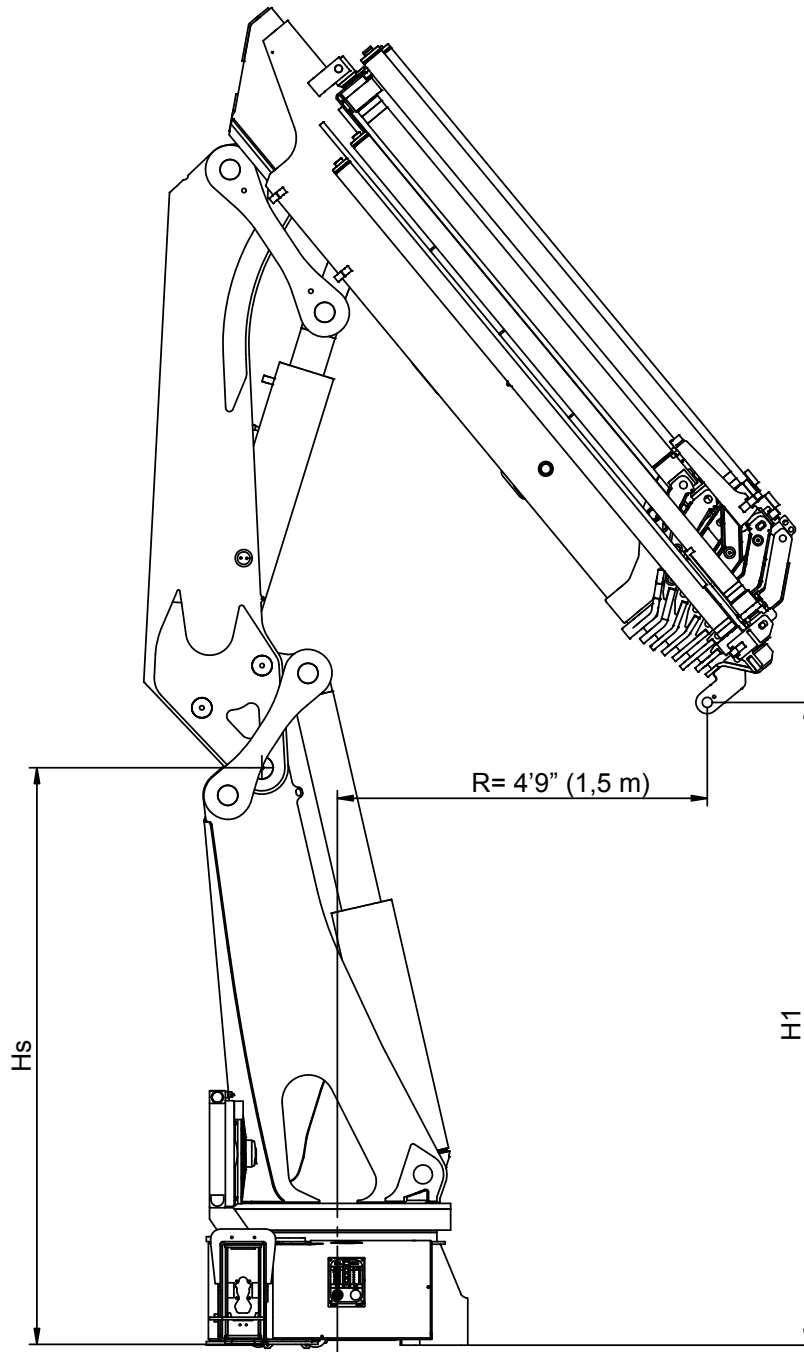
40 / 275 - Dimensions when Stowed in Truck



40 / 275 - Swing Radius

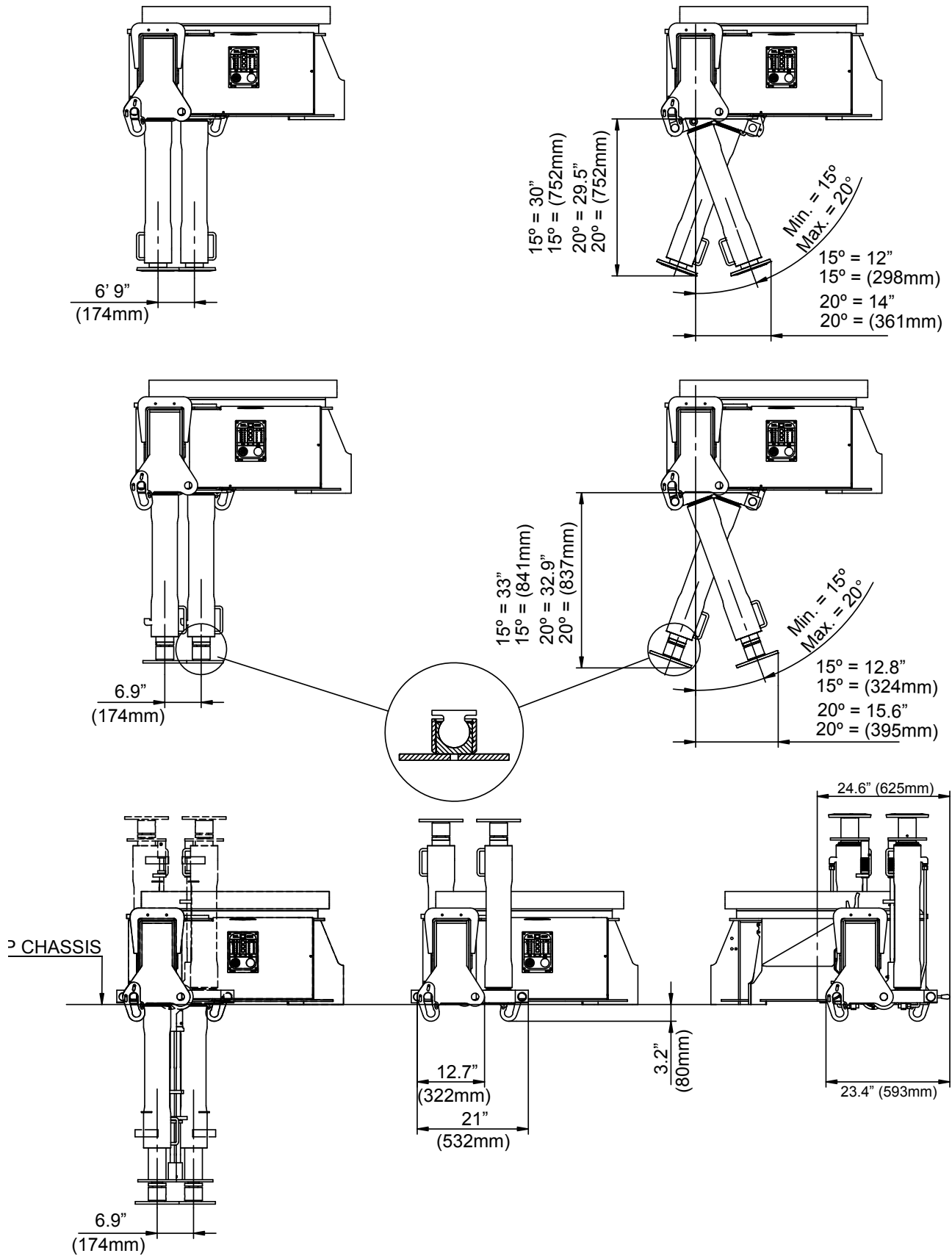


40 / 275 - Lifting Height At Column



	FEET		METERS	
	Hs	H1	Hs	H1
K2	7' 5"	9' 3"	2.27	2.84
K3	7' 5"	9' 0"	2.27	2.74
K4	7' 5"	8' 8"	2.27	2.68
K5	7' 5"	8' 6"	2.27	2.63
K6	7' 5"	8' 4"	2.27	2.57
K7	7' 5"	8' 2"	2.27	2.52
K8	7' 5"	8' 1"	2.27	2.47

40 / 275 - Dimension Sketch, Stabilizer Cylinder



40 / 275 - Technical Data, Winch

Performance (at 2175 psi):	Units	2.5 T (P15)	3.2T (S24)
Maximum wire pull - 1st layer	lb	5512	7055
Maximum wire pull - 2nd layer	lb	5071	6437
Maximum wire pull - 3rd layer	lb	4630	5952
Maximum wire pull - 4th layer	lb	4299	5512

Performance (at 10.6 g/min):	Units	2.5 T (P15)	3.2T (S24)
Maximum wire pull - 1st layer	g/min	78	101
Maximum wire pull - 2nd layer	g/min	85	115
Maximum wire pull - 3rd layer	g/min	92	124
Maximum wire pull - 4th layer	g/min	98	138

Weights:	Units	2.5 T (P15)	3.2T (S24)
Tare weight, winch (CE)	lb	198	243
Fixed parts (valve section, brackets, hoses, ets)	lb	110	110
Wire Ø33' x 197'	lb	66	-
Wire Ø40' x 200'	lb	-	99
Spare parts, single snatch block	lb	44	44
Spare parts, double snatch block	lb	88	88

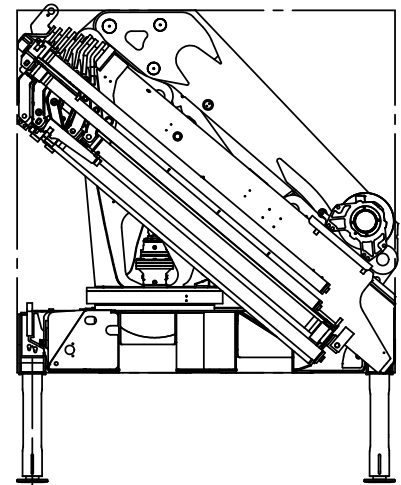
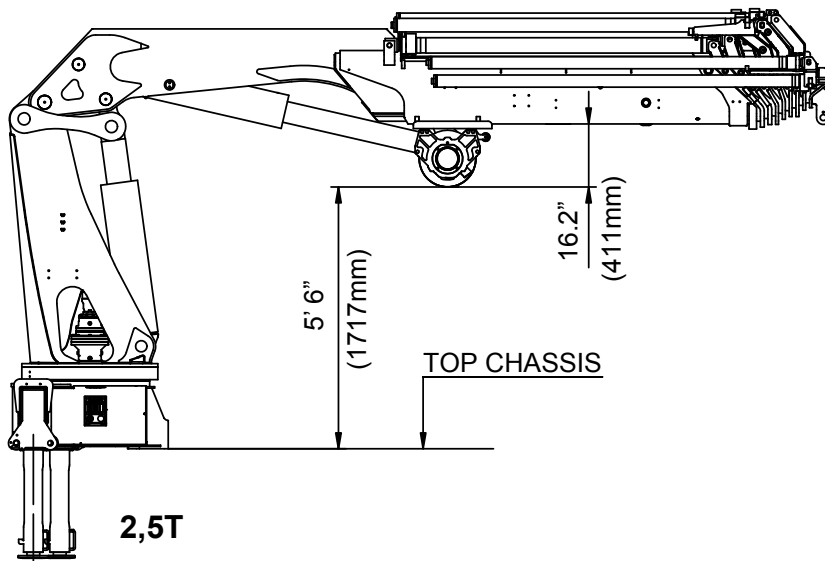
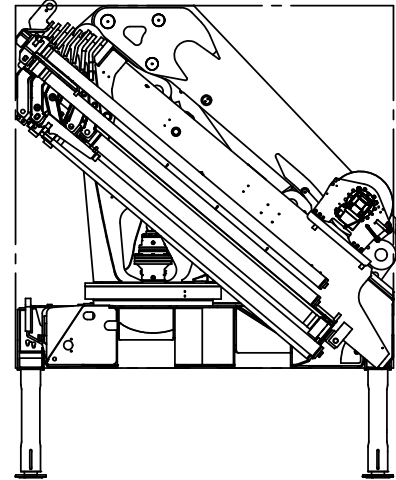
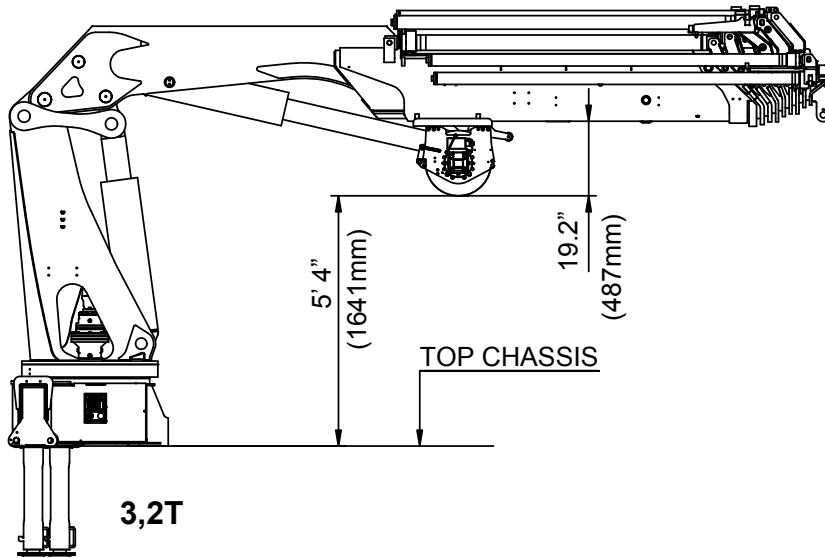
40 / 275 - Technical Data, Winch (Metric)

Performance (at 150 Bar):	Units	2.5 T (P15)	3.2T (S24)
Maximum wire pull - 1st layer	kg	2500	3200
Maximum wire pull - 2nd layer	kg	2300	2920
Maximum wire pull - 3rd layer	kg	2100	2700
Maximum wire pull - 4th layer	kg	1950	2500

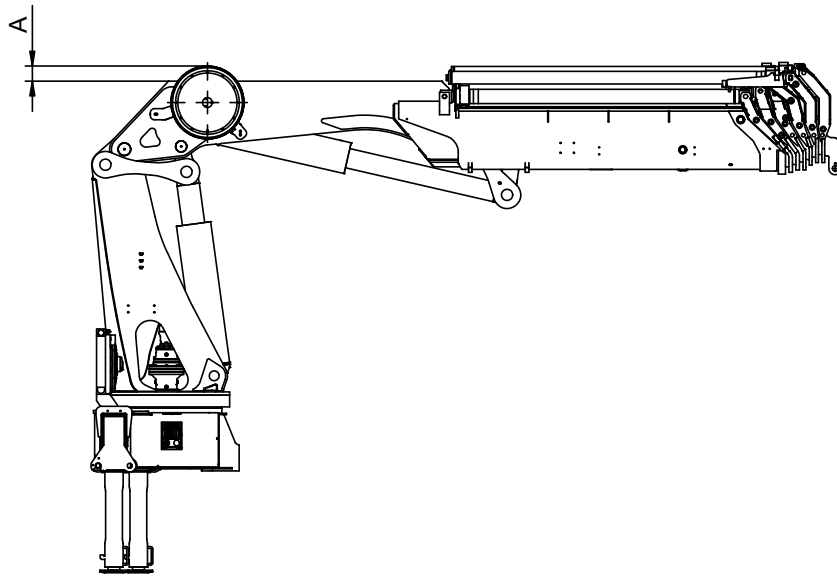
Performance (at 40 g/min):	Units	2.5 T (P15)	3.2T (S24)
Maximum wire pull - 1st layer	m/min	24	31
Maximum wire pull - 2nd layer	m/min	26	35
Maximum wire pull - 3rd layer	m/min	28	38
Maximum wire pull - 4th layer	m/min	30	42

Weights:	Units	2.5 T (P15)	3.2T (S24)
Tare weight, winch (CE)	kg	90	110
Fixed parts (valve section, brackets, hoses, ets)	kg	50	50
Wire Ø10 x 60 m	kg	30	-
Wire Ø12 x 61 m	kg	-	45
Spare parts, single snatch block	kg	20	20
Spare parts, double snatch block	kg	40	40

40 / 275 - Dimension Sketch, Winch

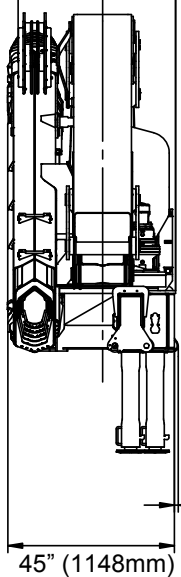


40 / 275 - Dimension Sketch, Hose Routing

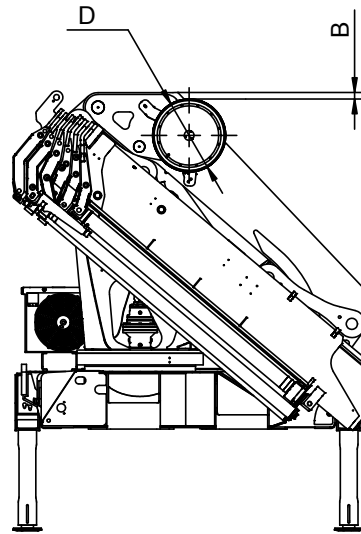


2xEXV 3' 4" (1064mm)
1xEXV 3' 1" (946mm)

19.3" (490mm)

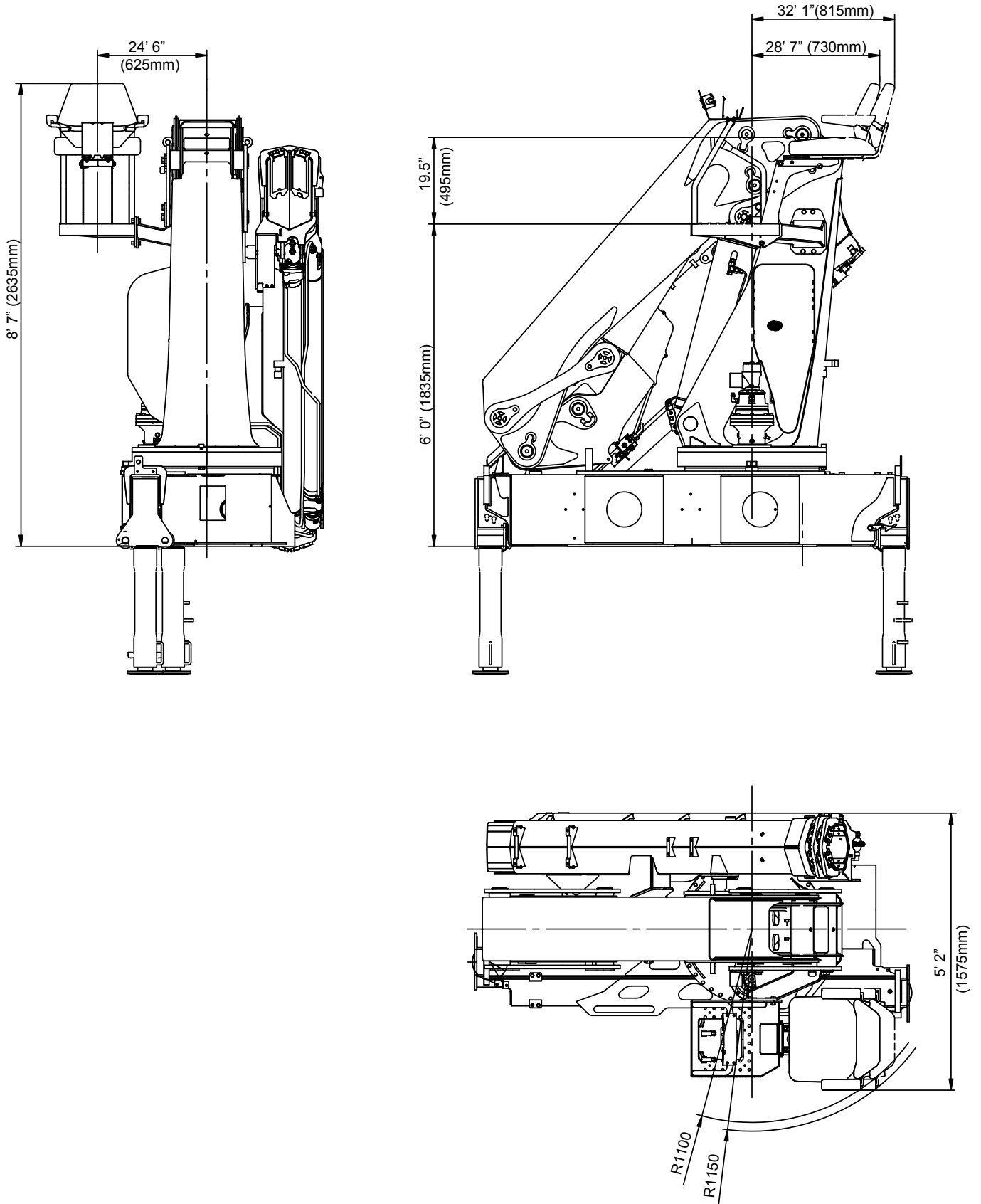


0.7" (18mm)

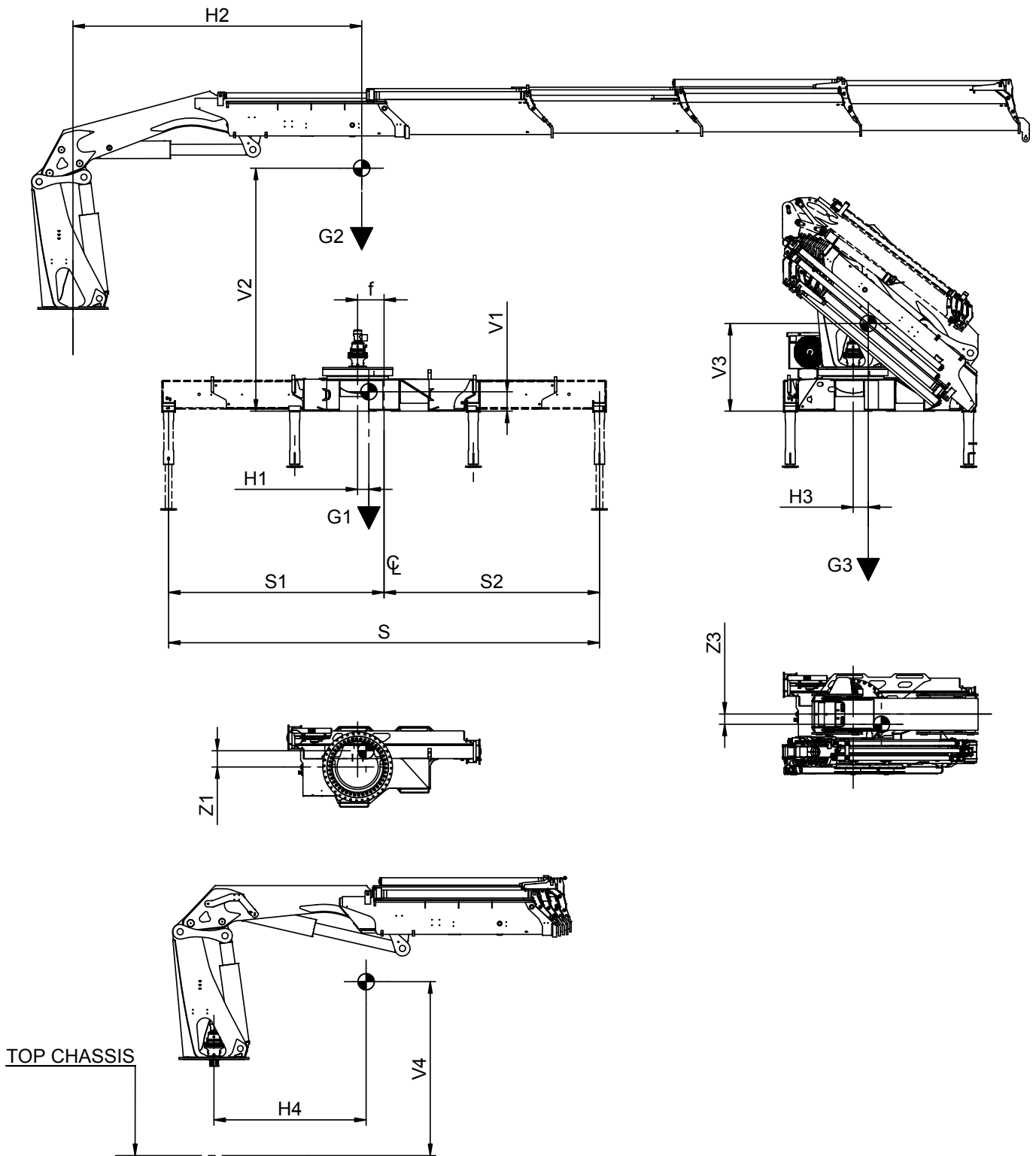


	D (1EXV)	D (2EXV)	A (1EXV)	A (2EXV)	B (1EXV)	B (2EXV)
K2-K3	20.6"	20.4"	5"	4.9"	1.6"	1.7"
K2-K3 (Metric)	525mm	520mm	128mm	125mm	41mm	43mm
K4-K5	24.2"	22.4"	6.6"	5.2"	0	0.8"
K4-K5 (Metric)	615mm	570mm	168mm	138mm	0	20mm
K6	24.2"	24.2"	6.6"	6.6"	0	0
K6 (Metric)	615mm	615mm	168mm	168mm	0	0

40 / 275 - Dimension Sketch, TS-RC



40 / 275 - Centers of Gravity



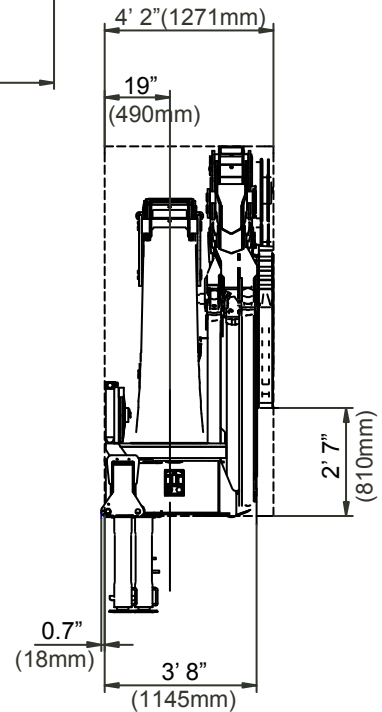
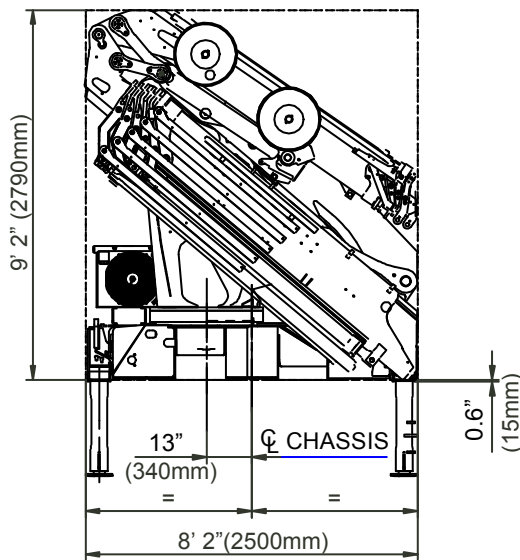
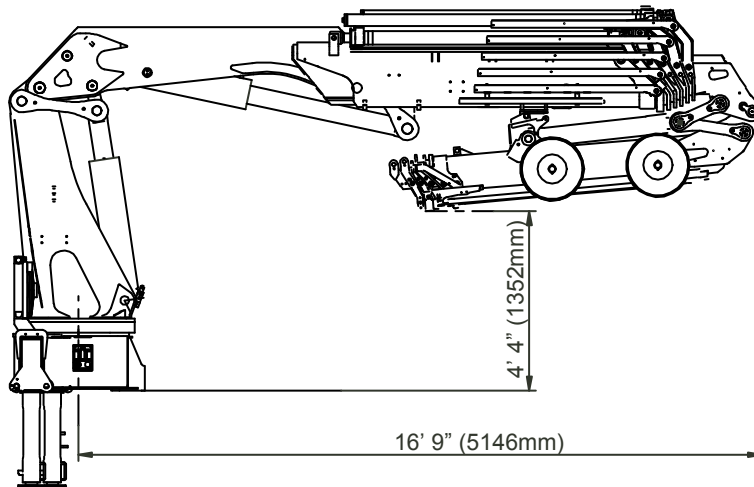
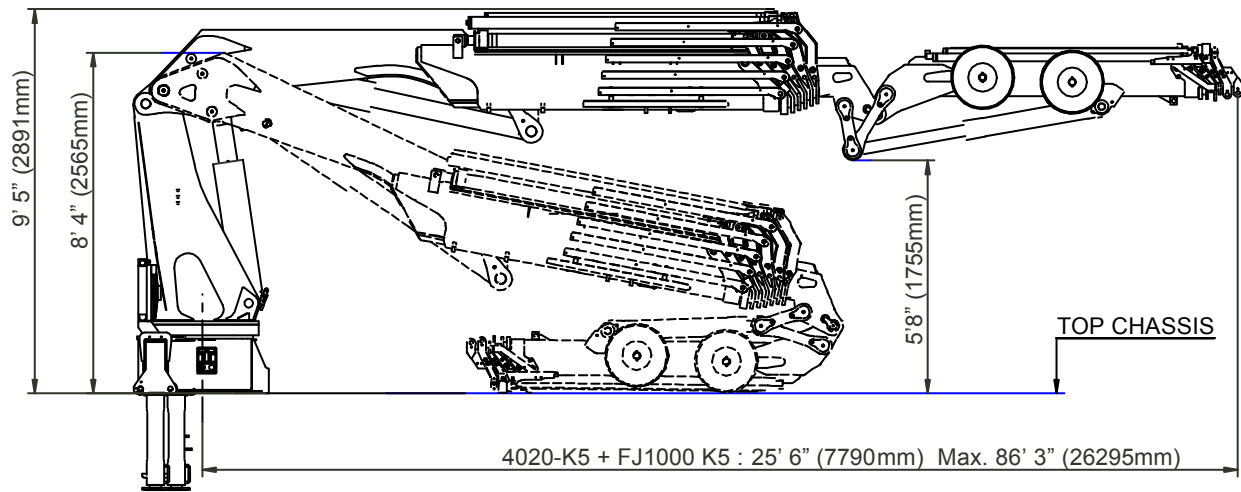
40 / 275 - K2-K5, FJ600 K3-K4, FJ1000 K3-K5 - Center of Gravity

40 / 275																	
KI. 3: S= 9'- 0" - KI. 9: S= 6'- 7"																	
	S	S1	S2	H1	V1	Z1	G1	f	H2	V2	G2	H3	V3	Z3	G3	H4	V4
K2	23'3"	12'8"	10'5"	4.7"	8.7"	6.9"	5'0"	13.4"	6'7"	7'6"	7'6"	12.3"	34.3"	2"	12'6"	5'2"	6'9"
K3	23'3"	12'8"	10'5"	4.7"	8.7"	6.9"	5'0"	13.4"	8'9"	8'5"	8'5"	12.6"	35"	3.1"	13'4"	5'7"	7'0"
K4	23'3"	12'8"	10'5"	4.7"	8.7"	6.9"	5'0"	13.4"	11'2"	9'3"	9'3"	12.2"	35.8"	4.1"	14'3"	6'2"	7'2"
K5	23'3"	12'8"	10'5"	4.7"	8.7"	6.9"	5'0"	13.4"	13'5"	10'1"	10'1"	11.8"	36.4"	5.1"	15'	6'6"	7'3"
K6	23'3"	12'8"	10'5"	4.7"	8.7"	6.9"	5'0"	13.4"	15'6"	10'7"	10'7"	11.6"	37"	5.7"	15'6"	6'9"	7'4"
K7	23'3"	12'8"	10'5"	4.7"	8.7"	6.9"	5'0"	13.4"	17'5"	11'2"	11'2"	11.4"	37.6"	6.3"	16'2"	7'0"	7'4"
K8	23'3"	12'8"	10'5"	4.7"	8.7"	6.9"	5'0"	13.4"	19'5"	11'7"	11'7"	11.2"	38.1"	6.9"	16'7"	7'3"	7'2"
K6 / FJ600 K3	23'3"	12'8"	10'5"	4.7"	8.7"	6.9"	5'0"	13.4"	22'7"	12'8"	12'8"	13.2"	42.3"	7.4"	17'8"	8'1"	7'2"
K6 / FJ600 K4	23'3"	12'8"	10'5"	4.7"	8.7"	6.9"	5'0"	13.4"	23'2"	13'0"	13'0"	13.4"	42.7"	7.6"	18'	8'2"	7'2"
K5 / FJ1000 K3	23'3"	12'8"	10'5"	4.7"	8.7"	6.9"	5'0"	13.4"	20'0"	12'8"	12'8"	13"	44.5"	7.5"	17'8"	9'0"	7'4"
K5 / FJ1000 K4	23'3"	12'8"	10'5"	4.7"	8.7"	6.9"	5'0"	13.4"	20'3"	13'0"	13'0"	13.1"	44.8"	7.6"	18'	9'0"	7'4"
K5 / FJ1000 K5	23'3"	12'8"	10'5"	4.7"	8.7"	6.9"	5'0"	13.4"	20'8"	13'2"	13'2"	13.2"	45"	7.7"	18'2"	9'1"	7'4"

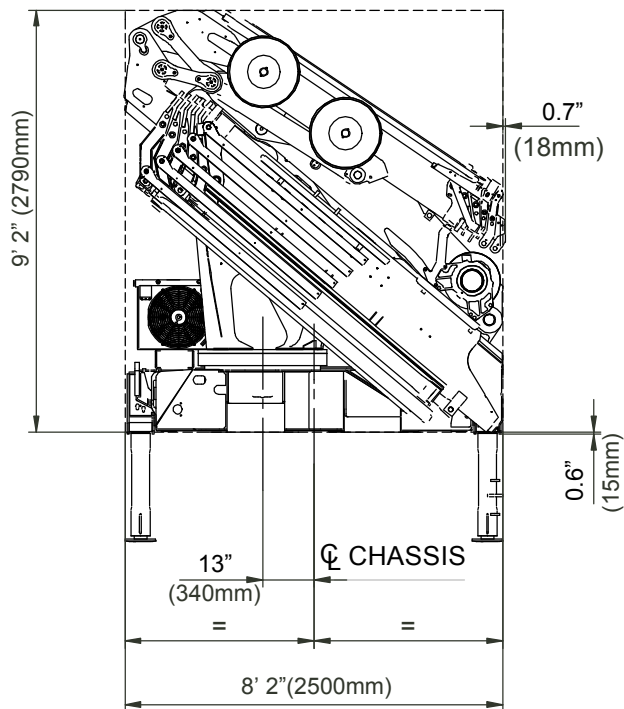
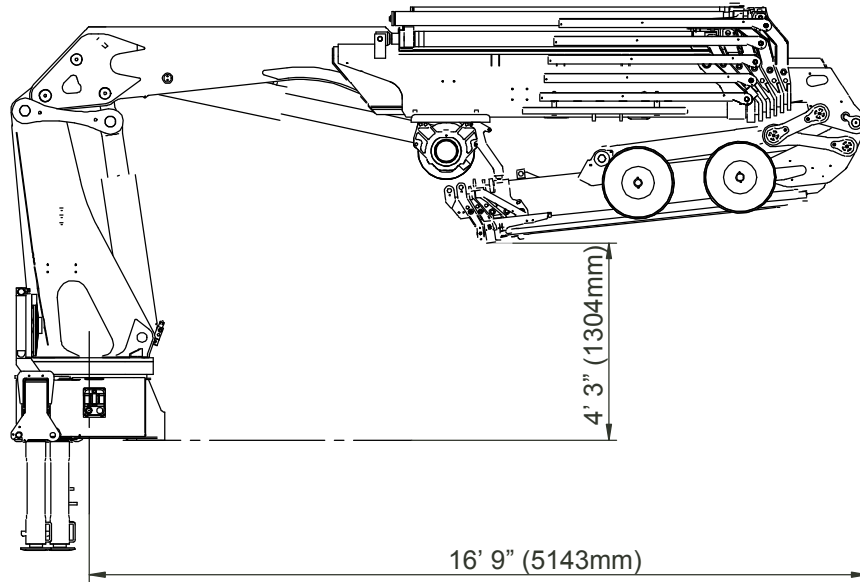
40 / 275 - K2-K5, FJ600 K3-K4, FJ1000 K3-K5 - Center of Gravity (Metric)

40 / 275																	
KI. 3: S=2735 - KI. 9: S=2035																	
	S	S1	S2	H1	V1	Z1	G1	f	H2	V2	G2	H3	V3	Z3	G3	H4	V4
K2	7100	3885	3215	120	220	175	1520	340	2050	2630	2315	320	870	50	3835	1570	2105
K3	7100	3885	3215	120	220	175	1520	340	2700	2710	2575	320	890	80	4095	1740	2145
K4	7100	3885	3215	120	220	175	1520	340	3420	2780	2825	310	910	105	4345	1890	2185
K5	7100	3885	3215	120	220	175	1520	340	4115	2830	3065	300	925	130	4585	2000	2215
K6	7100	3885	3215	120	220	175	1520	340	4770	2870	3245	295	940	145	4765	2090	2240
K7	7100	3885	3215	120	220	175	1520	340	5340	2890	3405	290	955	160	4925	2155	2250
K8	7100	3885	3215	120	220	175	1520	340	5960	2970	3565	285	970	175	5085	2215	2255
K6 / FJ600 K3	7100	3885	3215	120	220	175	1520	340	6910	3030	3905	336	1075	188	5425	2495	2200
K6 / FJ600 K4	7100	3885	3215	120	220	175	1520	340	7100	3035	3960	340	1085	192	5480	2510	2190
K5 / FJ1000 K3	7100	3885	3215	120	220	175	1520	340	6100	3025	3900	330	1130	190	5420	2735	2245
K5 / FJ1000 K4	7100	3885	3215	120	220	175	1520	340	6190	3030	3960	333	1137	193	5480	2740	2250
K5 / FJ1000 K5	7100	3885	3215	120	220	175	1520	340	6340	3035	4030	335	1142	195	5550	2770	2255

40 / 275 - Dimension Sketch, with FJ1000



40 / 275 - Dimension Sketch, K5 with FJ1000 with Winch





IOWA MOLD TOOLING CO., INC.

P.O. Box 189 Garner, IA 50438

Tel: 641.923.3711

Fax: 641.923.2424

www.imt.com

IMT reserves the right to make changes in engineering, design, specifications, add improvements or discontinue manufacturing at any time without notice or obligation.

IMT and IMT LOGO are registered trademarks of Iowa Mold Tooling Co., Inc., Garner, IA, USA.

© 2018 Iowa Mold Tooling Co., Inc. All Right Reserved.